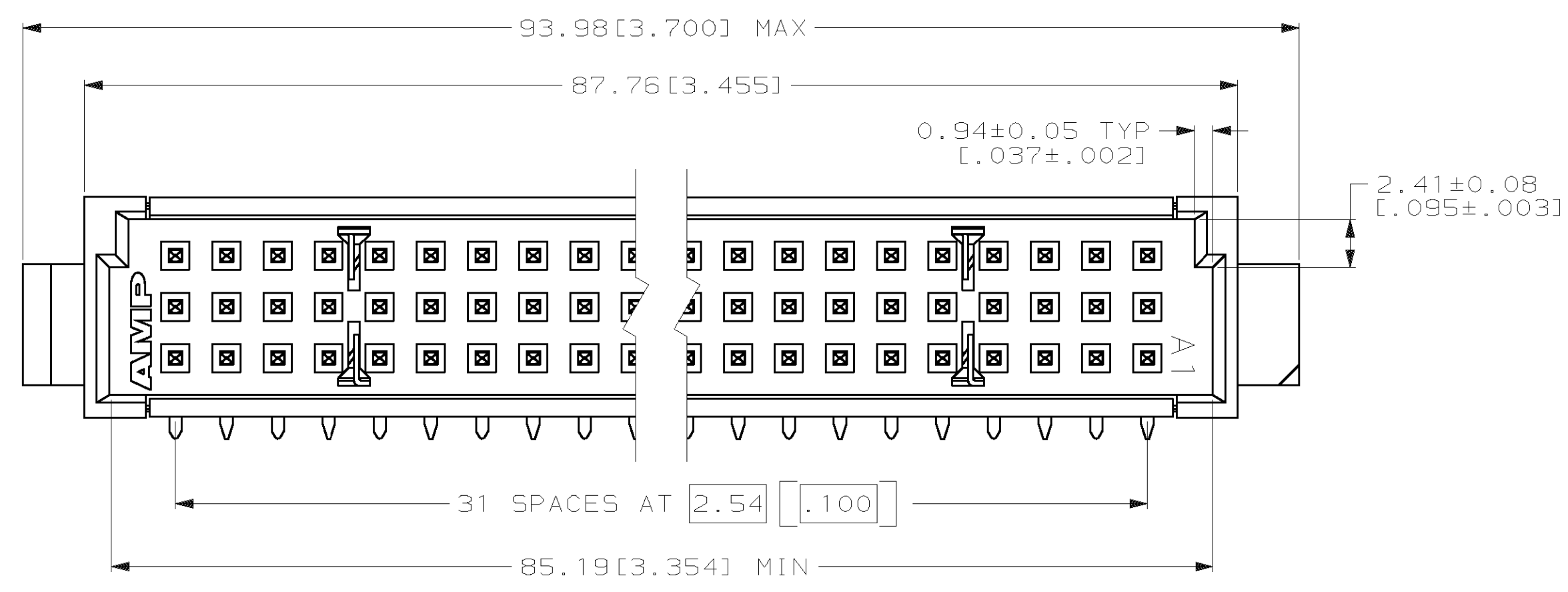
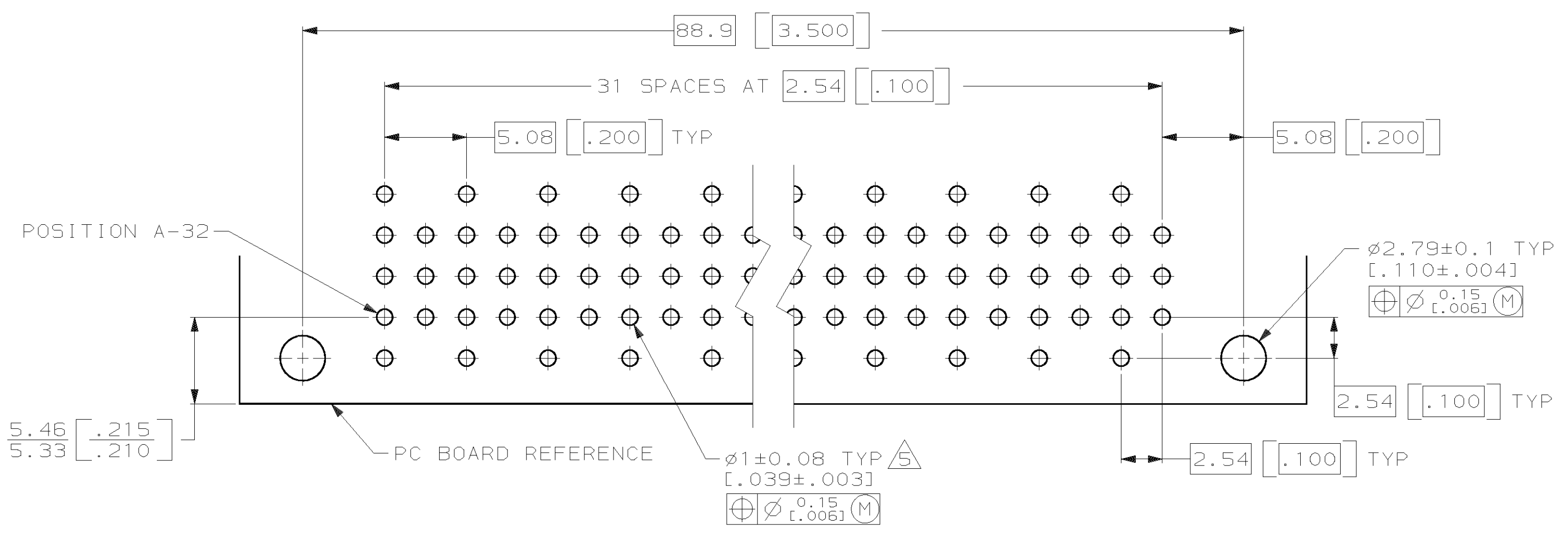
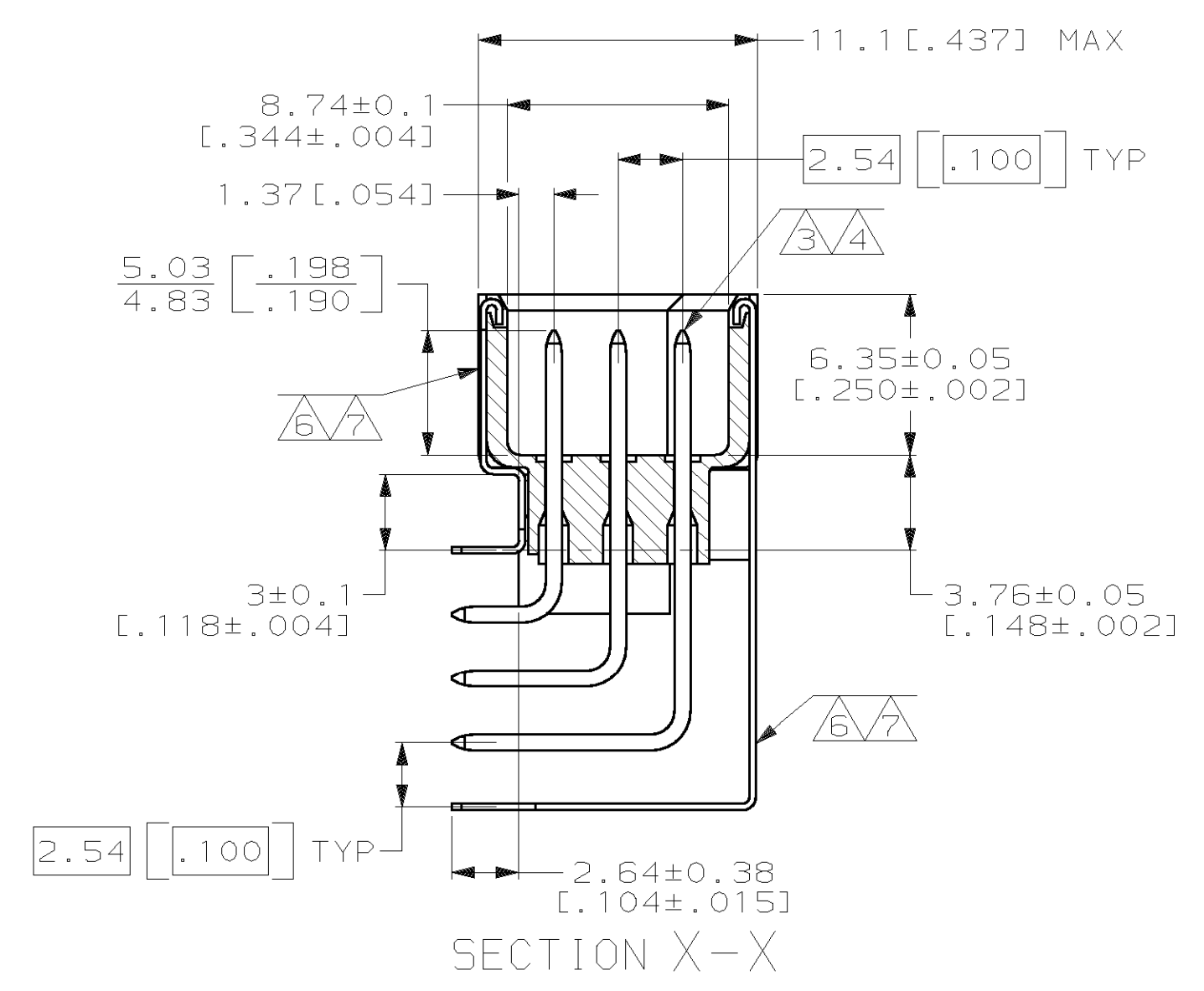
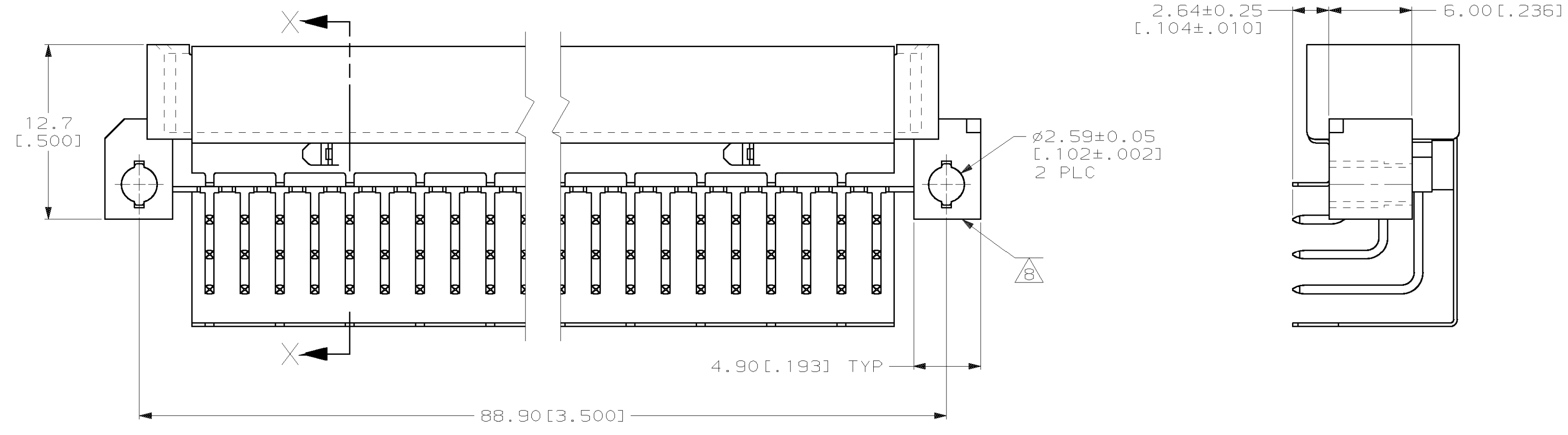


REVISONS		DATE	APPD
AD	25	8/8/97	RAP
		18 AUG 99	CR



- △ HOUSING MATERIAL: HIGH TEMPERATURE GLASS-FILLED POLYESTER. COLOR: GRAY.
- △ POST AND GROUND PLATE MATERIAL: BRASS.
- △ POST FINISH: DIN 41612 CLASS 2 IN CONTACT AREA. TIN-LEAD PLATE ON POSTS.
- △ POST FINISH: DIN 41612 CLASS 3 IN CONTACT AREA. TIN-LEAD PLATE ON POSTS.
- △ RECOMMENDED HOLE SIZE FOR MANUAL APPLICATION OF CONNECTOR ONTO PC BOARD.
- △ GROUND PLATE FINISH: DIN 41612 CLASS 2 IN CONTACT AREA. TIN-LEAD PLATE ON POSTS.
- △ GROUND PLATE FINISH: DIN 41612 CLASS 3 IN CONTACT AREA. TIN-LEAD PLATE ON POSTS.
- △ MOLD REVISION DATE CODE MOLDED IN THIS AREA.



△△	650987-9
△△	650987-5
FINISH	ASSY PART NUMBER

PART NO		AMP		AMP Incorporated	
DO NOT SCALE PRINT. UNLESS SPECIFIED DIMENSIONS IN mm [INCHES]		DR L. BRINER 2/2/92		Harrisburg, PA 17105-3508	
TOLERANCES ON:		CHK D.C. RUBENDALL 2/11/92		NAME	
1 PLC DEC ±		APPD D.C. RUBENDALL 2/11/92		PIN ASSEMBLY, ENHANCED EUROCARD	
2 PLC DEC ±0.13[.005]		APPD K.R. PARMER 2/11/92		WITH TWO EXTERNAL PLATES	
ANGLES ±		MATERIAL		SIZE	
HSG: △ -		PRODUCT SPEC		D 00779	
POST: △		APPLICATION SPEC		CAGE CODE	
FINISH		-		00779	
POST: △△		-		DRAWING NO	
GROUND PLATE: △△		-		650987	
		WEIGHT		SCALE	
		-		4:1	
				SHEET	
				1 OF 1	