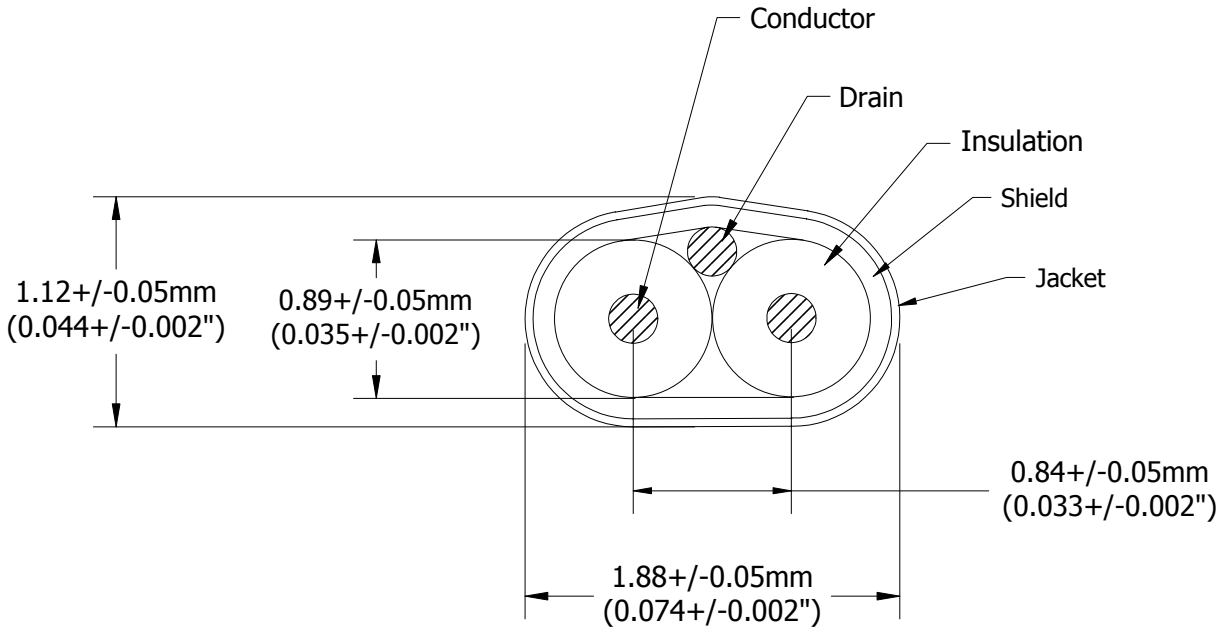


TITLE	PART No.	REV	PAGE
Shielded Pair 30 AWG, 100 Ohm Twinax	1000680107	C	1 of 1



**NOTES**

**Construction:**

- Conductor: 30 AWG, 0.27mm (0.0107") Solid SPC.
- Insulation: Fluoropolymer
- Drain Wire: 30 AWG, 0.25mm (0.010") Solid SPC.
- Shield: Aluminum / Polyester Foil, 0.023mm (0.0009") Thickness Ref.
- Jacket: Polyester, Heat Sealed, 0.08mm (0.0007") Thickness Ref.
- Safety Compliance: AWM STYLE 22058

**Electrical Characteristics:**

- (Based on a 3m Length)
- Differential Impedance: 100 +/- 5 Ohms.
- Propagation Delay: 4.8 ns/m Ref.
- Intra-Pair Skew: 30 ps/3m Max.

**SCD21**

f < 25.0 GHz: ≥ 20 dB

**SCD21-SDD21**

- 0.01 ≤ f < 12.89 GHz: ≥ 12 dB
- 12.89 ≤ f < 15.7 GHz: ≥ (29-(29/22)\*f) dB
- 15.7 ≤ 25.0 GHz: ≥ 8.3 dB

Based on 3.0m Test Length		
Freq (GHz)	SDD21	
	Nom. dB	Max. dB
2.50	5.64	5.87
5.00	8.15	8.85
7.50	10.13	11.15
10.00	11.95	13.55
12.89	13.83	15.50
15.00	15.15	17.50
17.50	16.55	18.85
20.00	17.89	20.00
22.50	19.35	21.34
25.00	20.59	23.15



Print Legend: MOLEX TEMP-FLEX(R) <LOCATION CODE: US or PHL or GDL>TWINMAX(TM) 30 AWG 1000680107

--- E61522 <UL CODE: -MPI for PHL, <blank> for US, -MDM for GDL> STYLE 22058 cRUus AWM I A/B 105C 30V FT1 VW-1 --- <TRACEABILITY>

This document is the property of TEMP-FLEX. It may not be disclosed, reproduced, or otherwise used without permission.	Rev	DCR	Description	App'd	Date
	B	5371	Update Print Legend.	KP	1/11/18
	C	5549	Updated SDD21 Electrical Values.	KP	5/7/18