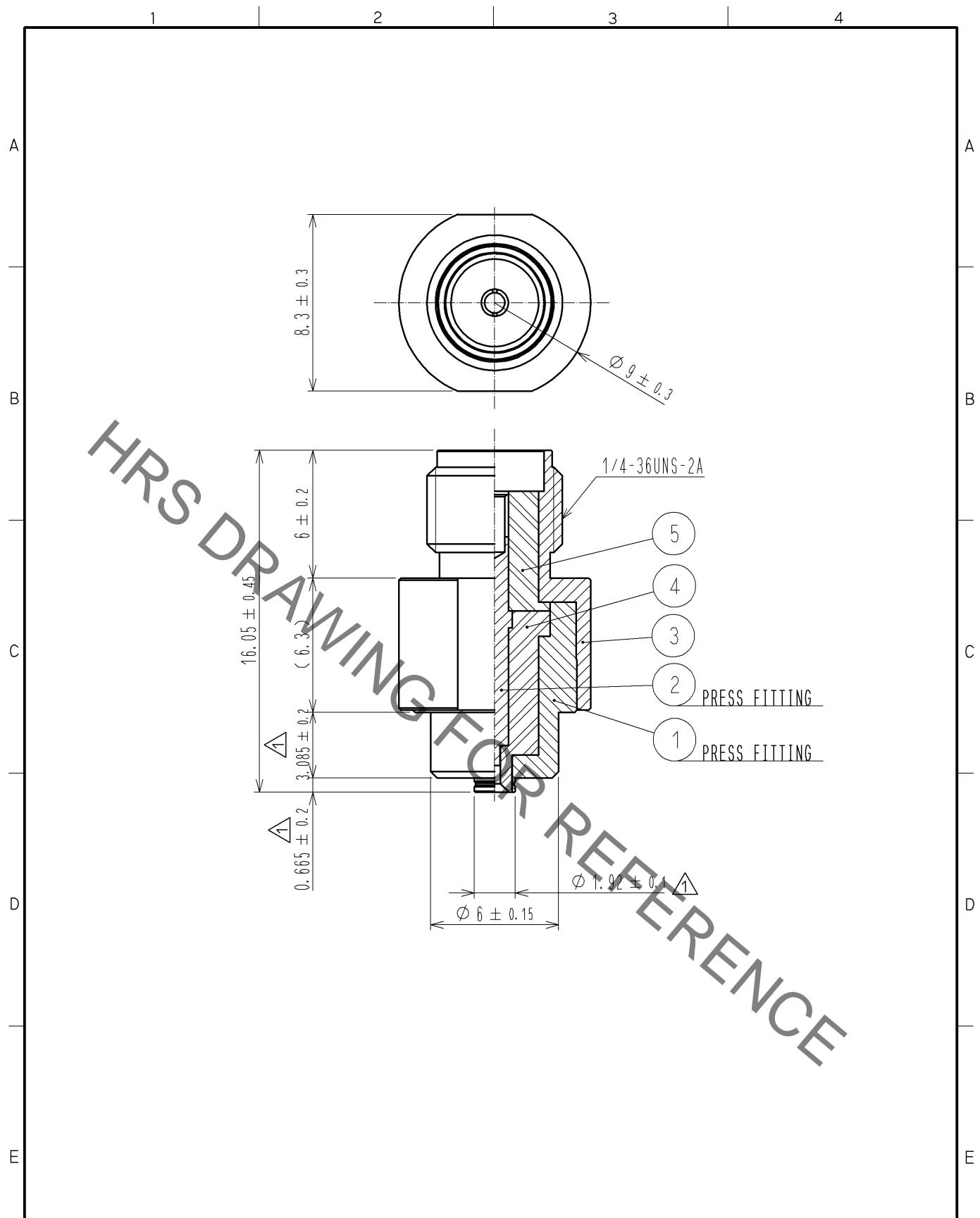


May.1.2023 Copyright 2023 HIROSE ELECTRIC CO., LTD. All Rights Reserved.
 In case of consideration for using Automotive equipment / device which demand high reliability, kindly contact our sales window correspondents.



3	STAINLESS	PASSIVATE						
2	BERYLLIUM COPPER	GOLD PLATING		5	PTFE			
1	STAINLESS	PASSIVATE		4	PTFE			
NO.	MATERIAL	FINISH	REMARKS	NO.	MATERIAL	FINISH	REMARKS	
UNITS		SCALE	COUNT	DESCRIPTION OF REVISIONS		DESIGNED	CHECKED	DATE
mm		4 : 1	3	DIS-J-001163		RI. SATO	TY. OZAKI	10.07.20
HIROSE ELECTRIC CO., LTD.		APPROVED	: KJ. KAWAMURA	05.01.05	DRAWING NO.	EDC4-180354-00		
		CHECKED	: RZ. KANO	05.01.05	PART NO.	MS-156R-HRMJ-1		
		DESIGNED	: KH. HIDA	05.01.05	CODE NO.	CL358-0188-8-00		1/1
		DRAWN	: KH. HIDA	05.01.05				