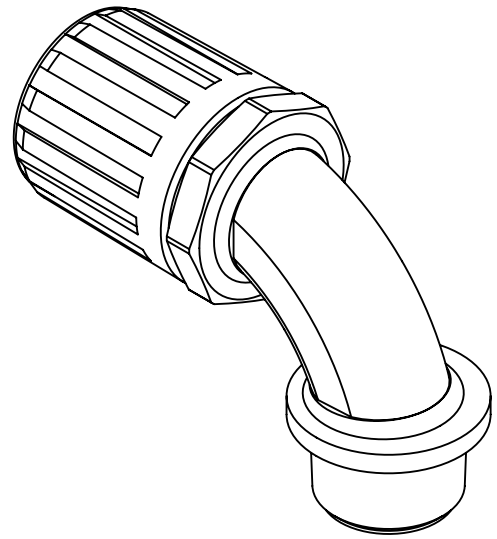
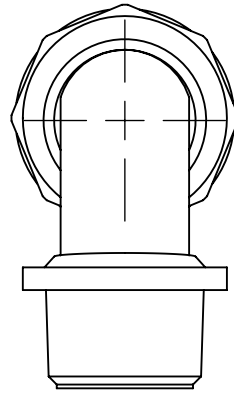
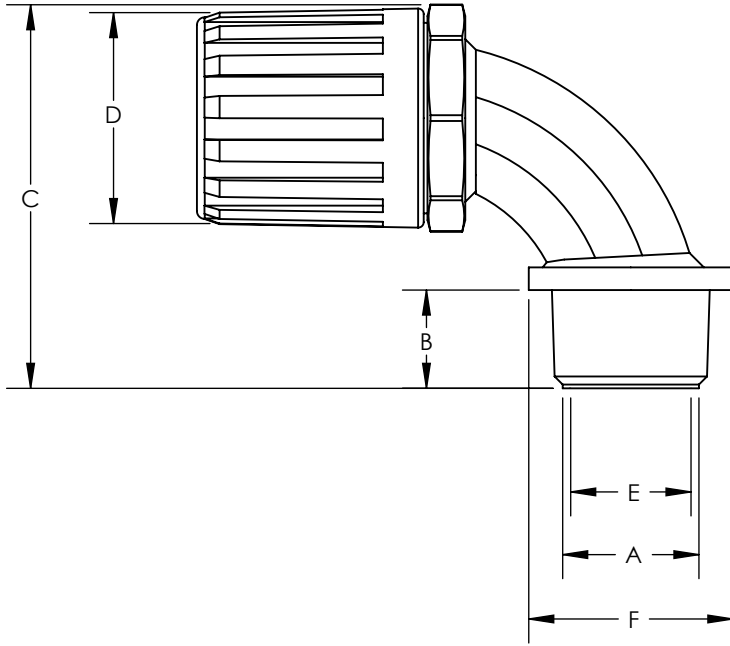


SW2014



Revision level			Revision Record	Changed	Date	Approved	Date
Drawing	State	Part					
00.0	Design Release		SEE ECN# 013597	GRW	10/25/2016	KAC	10/25/2016



Conduit Size		Euro Size	HellermannTyton Part Number	Manufacturer Reference Number	NPT Thread	Dimension (mm)											
in.	mm	(NW)				A		B		C		D		E		F (A/F)	
						in.	mm	in.	mm	in.	mm	in.	mm	in.	mm	in.	mm
3/8	16	12	HG038-90-0500	FPA16-050-90	1/2 NPT	0.51	13	1.5	38	1.14	29	0.55	14.0	1.06	27		
1/2	21	17	HG050-90-0500	FPA21-050-90	1/2 NPT	0.51	13	1.57	40	1.26	32	0.55	14.0	1.06	27		
3/4	28	23	HG075-90-0750	FPA28-075-90	3/4 NPT	0.59	15	2.01	51	1.73	44	0.75	19.0	1.26	32		
1.00	34	29	HG100-90-1000	FPA34-100-90	1 NPT	0.63	16	2.32	59	2.04	51	0.97	24.5	1.57	40		
1.25	42	36	HG125-90-1250	FPA42-125-90	1-1/4 NPT	0.63	16	3.23	82	2.48	63	1.28	32.5	1.97	50		
1.25	42	36	HG125-90-1500	FPA42-150-90	1-1/2 NPT	0.63	16	3.27	83	2.48	63	1.54	39.0	1.57	40		
1.50	54	48	HG150-90-1500	FPA54-150-90	1-1/2 NPT	0.63	16	3.46	88	2.99	76	1.54	39.0	2.36	60		
2.00	67	56	HG200-90-2000	FPA54-200-90	2 NPT	0.63	16	4.09	104	3.54	90	1.95	49.5	2.83	72		

Material
PA66

Units: inches
Dimension without tolerances details to:
.xxxx = ±.0005
.xxx = ±.005
.xx = ±.01
.x = ±.03
None = ±.06
∠ = ±0.5°
Dimension Formatted in/[mm]

The copyright of this drawing is reserved by HellermannTyton. It is issued on condition that it is not reproduced, copied, or disclosed to a third party, either wholly or in part, without the consent of HellermannTyton.

Drawn GRW 10/25/2016
Approved KAC 10/25/2016

HellermannTyton
North America
Email: corp@htamericas.com
Web: www.hellermann.tyton.com

Article/Type-No HG-90 SERIES
Title **HELAGUARD 90 DEGREE NYLON ELBOW FITTING, NPT THREAD, IP66**
Drawing-No PRODUCTION : Phase
15-0835-001-CSU

Scale 1:1
Project Number PRP 15-0835
Format AH
Sheet 1/1