

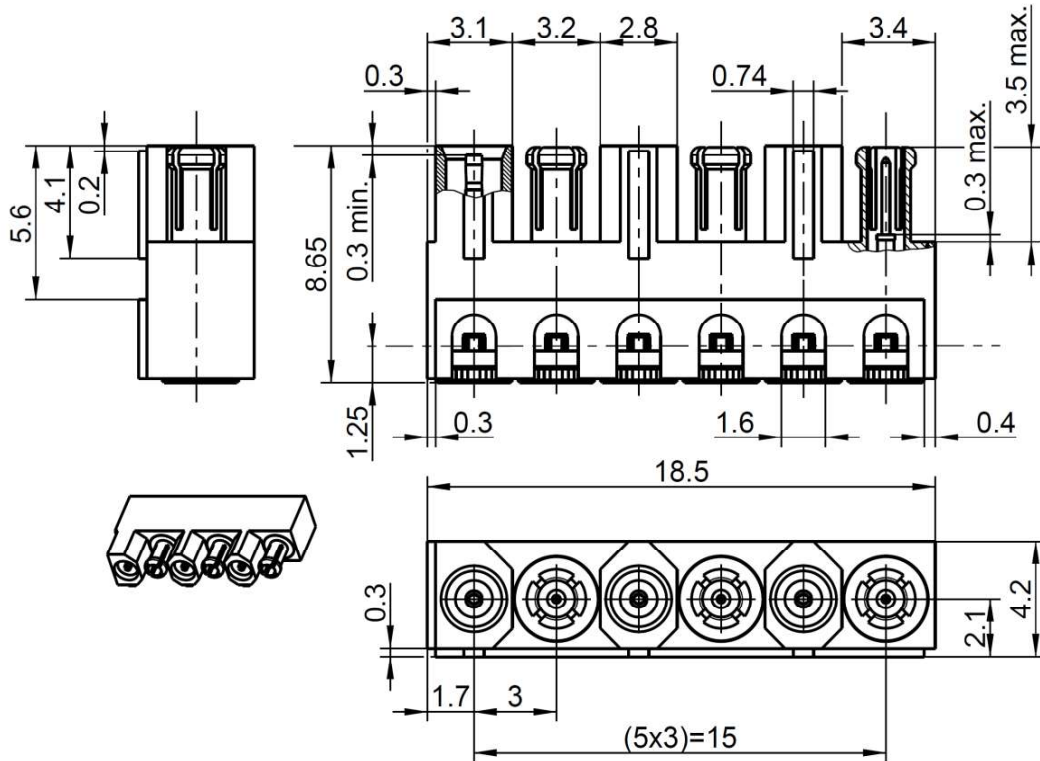
Technical Data Sheet

Rosenberger

Insert
Mini-Coax

6 Channel Block
Right Angle

23C25G-40ML5



All dimensions are in mm; tolerances according to ISO 2768 m-H

Interface

According to

Rosenberger Mini-Coax

Documents

PCB - Layout

B 501B

Material and plating

Connector parts

Center contact
Outer contact male
Outer contact female
Body
Dielectric

Material

CuBe or equiv.
CuBe
Brass
Brass
PTFE

Plating

AuroDur®, gold plated
AuroDur®, gold plated
AuroDur®, gold plated
AuroDur®, gold plated

Technical Data Sheet**Rosenberger**

Insert Mini-Coax	6 Channel Block Right Angle
---------------------	--------------------------------

23C25G-40ML5**Electrical data**

Impedance	50 Ω
Frequency	DC to 40 GHz
Return loss	≥ 25 dB @ DC to 3 GHz ≥ 20 dB @ 3 GHz to 6 GHz ≥ 16 dB @ 6 GHz to 20 GHz ≥ 12 dB @ 20 GHz to 40 GHz
Insertion loss	≤ 0.04 x √f [GHz] dB
Insulation resistance	≥ 1GΩ
Center contact resistance	≤ 10 mΩ
Outer contact resistance	≤ 3 mΩ
Test voltage (at sea level)	750 V rms
Working voltage (at sea level)	500 V rms
RF-leakage	≥ 80 dB @ DC to 1 GHz ≥ 60 dB @ 1 GHz to 4 GHz

- Connector only, VSWR in application depends decisive on PCB layout -

Mechanical data

Mating cycles	≥ 500
Engagement force	max. 40 N typical 30 N
Extraction force	max. 45 N typical 30 N

Environmental data

Temperature range	-40 °C to +125 °C
Climatic category	IEC 60068-2-1 40/85/21
Dry heat	IEC 60068-2-2
Damp heat	IEC 60068-2-78
Shock	IEC 60068-2-27 (50g halvesinus, 2 shocks/axis during 11 sec.)
Max. soldering temperature	IEC 61760-1, +260 °C for 10 sec.
RoHS	compliant

Tooling

N/A

Weight

3 g/pce

While the information has been carefully compiled to the best of our knowledge, nothing is intended as representation or warranty on our part and no statement herein shall be construed as recommendation to infringe existing patents. In the effort to improve our products, we reserve the right to make changes judged to be necessary.

Draft	Date	Approved	Date	Rev.	Engineering change number	Name	Date
Martin Moder	22.11.16	Herbert Babinger	15.03.18	200	17-2028	Andreas Plötz	12.03.18
Rosenberger Hochfrequenztechnik GmbH & Co. KG P.O.Box 1260 D-84526 Tittmoning Germany www.rosenberger.de						Tel. : +49 8684 18-0 Email : info@rosenberger.de	
						Page 2 / 2	