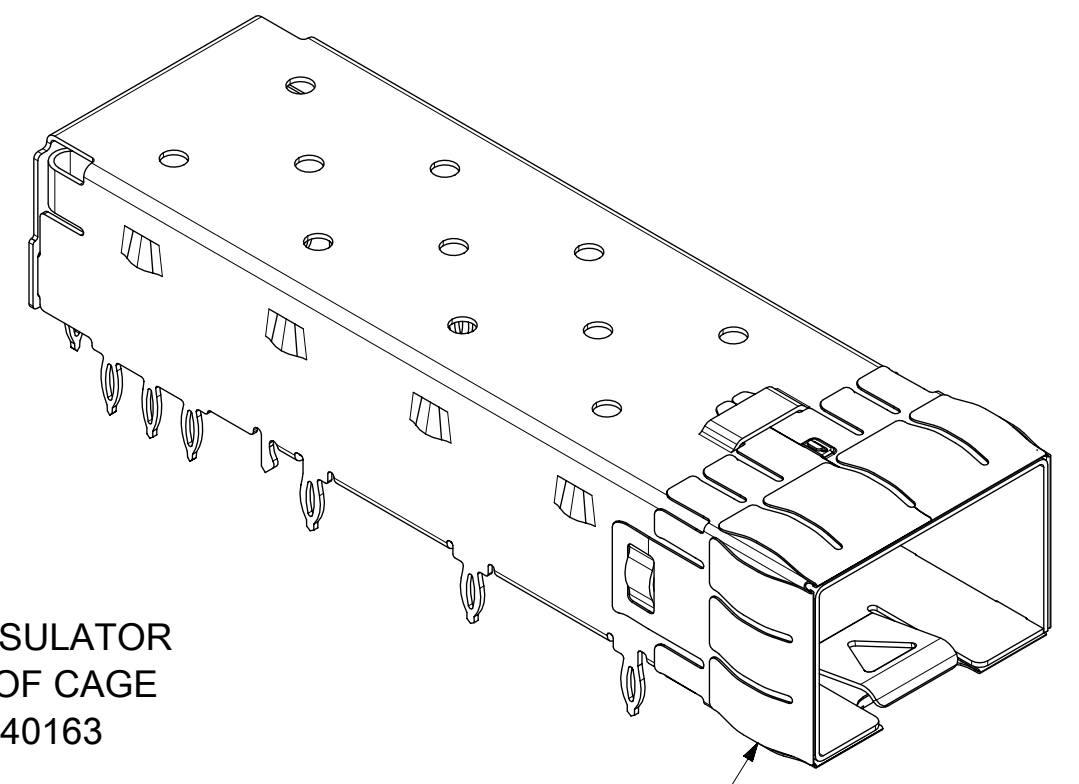
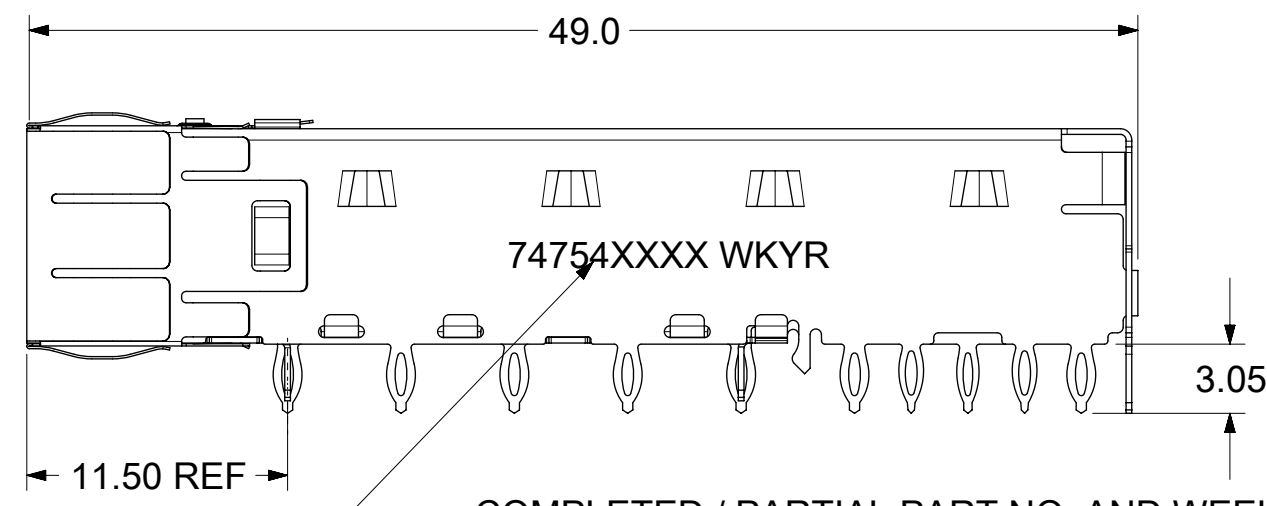
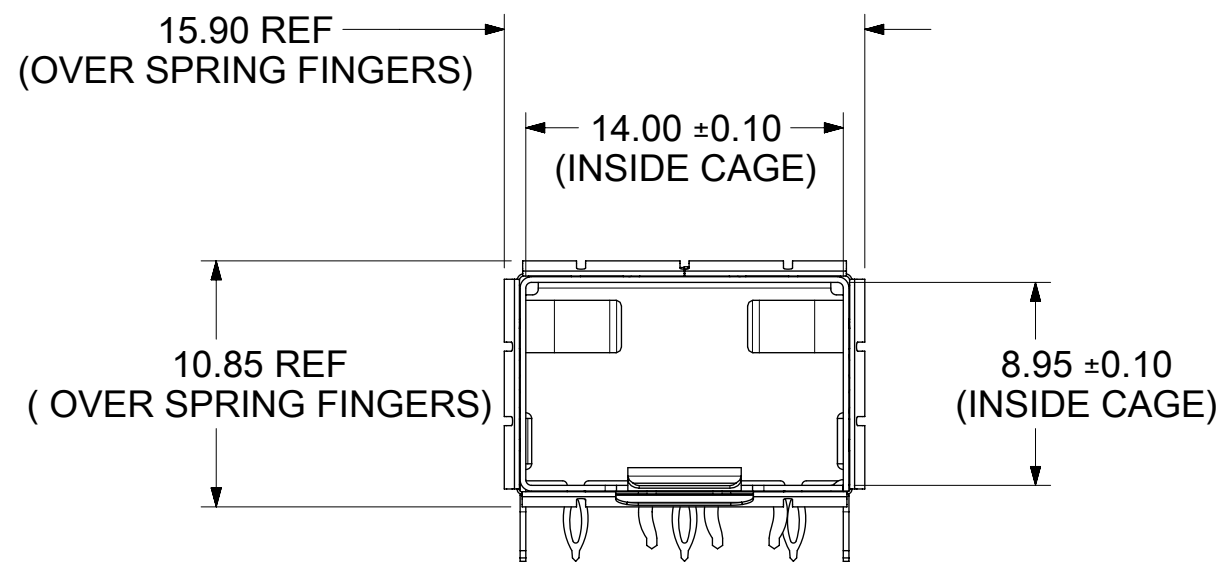


OPTIONAL POLYIMIDE INSULATOR ATTACHED TO BOTTOM OF CAGE MATERIAL NUMBER 747540163 REFERENCE



EMI SPRING FINGER

SFP+ 1X1 CAGE			
PART NO.	WELD POINT QUANTITY	PACKAGING	PLATING
747548101	0	TRAY	NICKEL
747548108	6	TRAY	NICKEL
747548109	0	TAPE & REEL	NICKEL



COMPLETED / PARTIAL PART NO. AND WEEK/YEAR DATE CODE TO BE PRINTED / STAMPED ON THE SIDE OF COMPLETED CAGE ASSEMBLY APPROXIMATELY AS SHOWN.

NOTES:

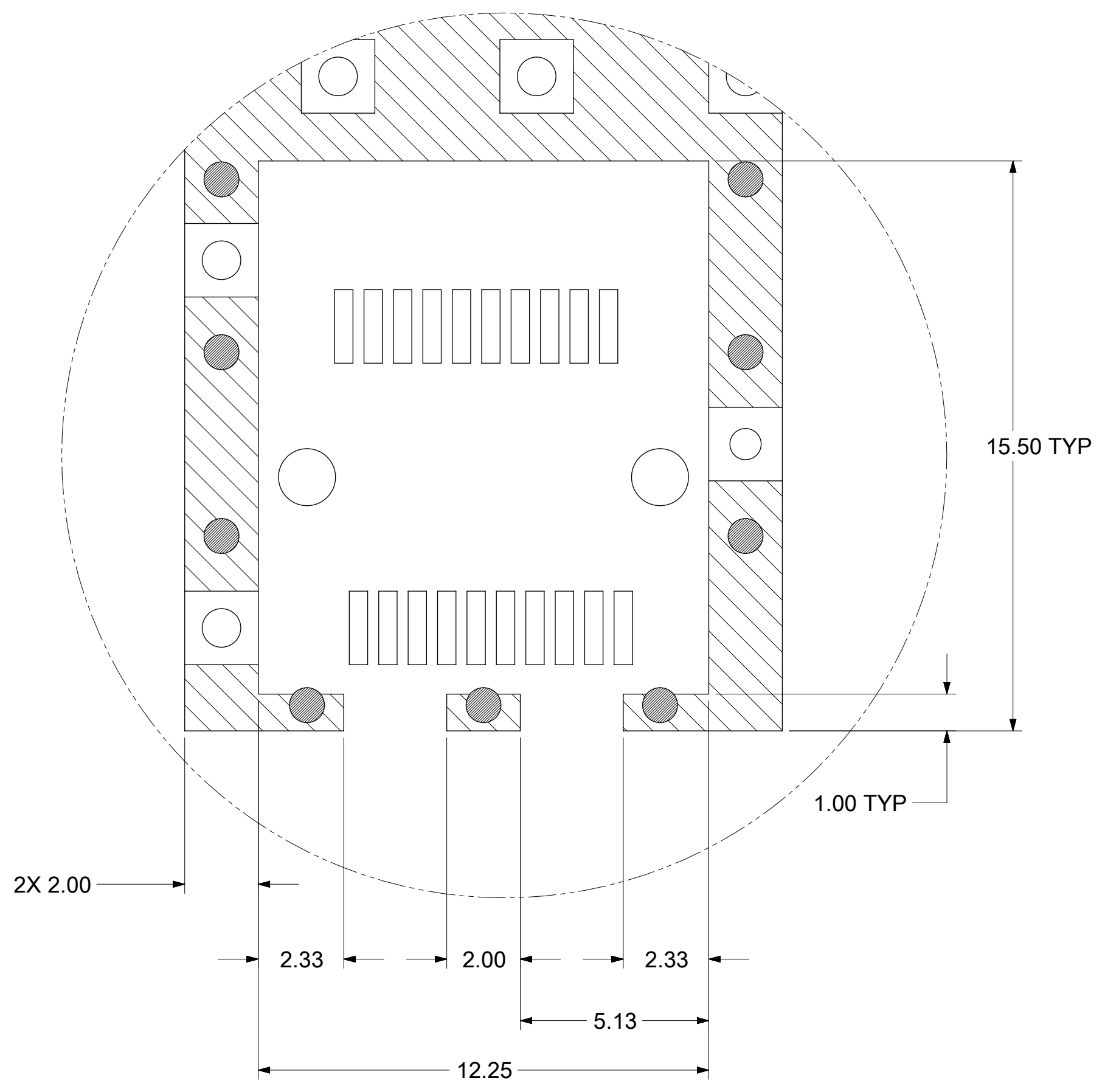
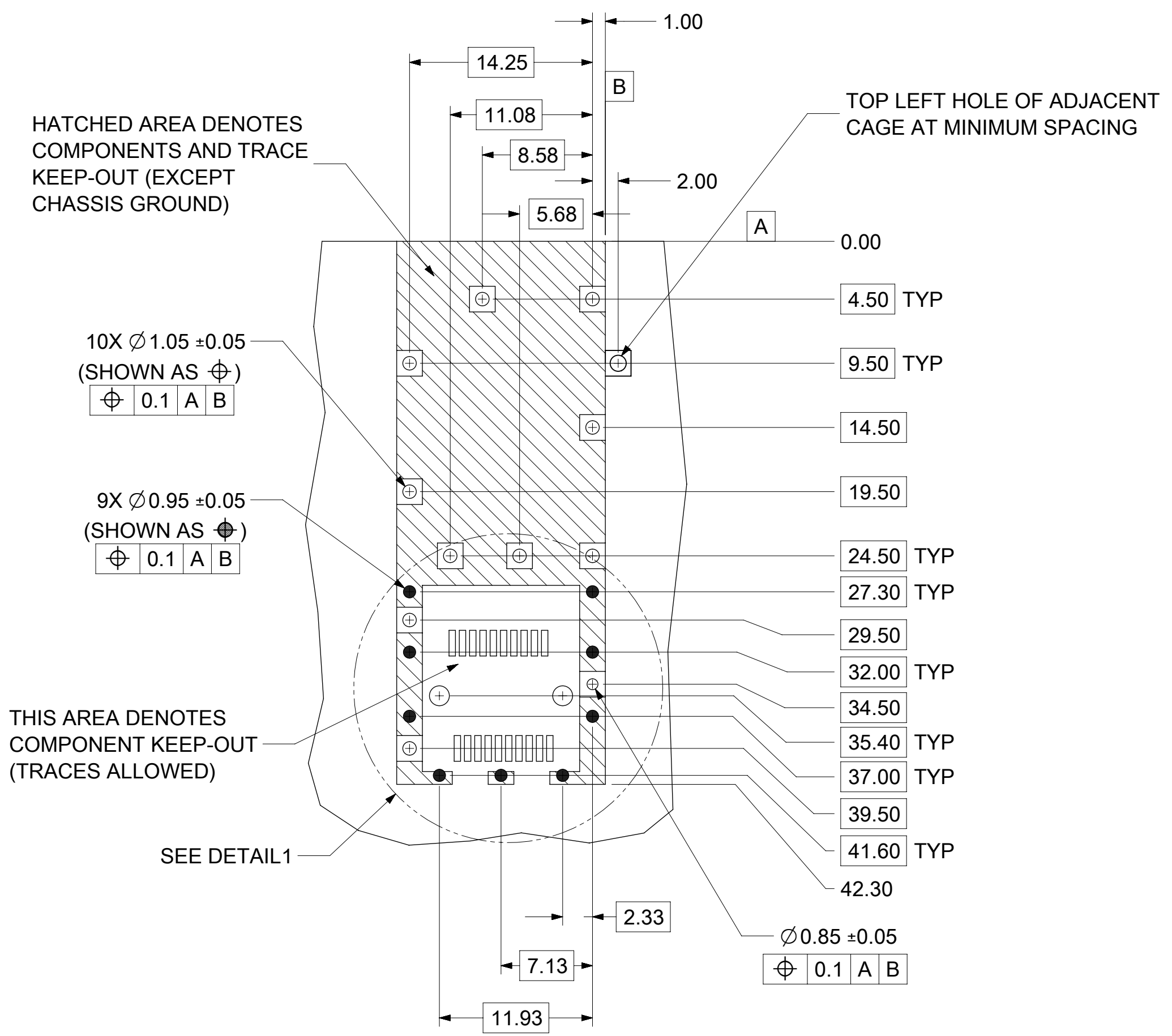
- MATERIAL:
CAGE: COPPER ALLOY, THICKNESS 0.25mm, PLATING REFER TO TABLE.
SPRING FINGER: STAINLESS STEEL
- PRESS FIT LEGS 3.05 LONG -
1.57 MINIMUM PCB THICKNESS FOR SINGLE SIDED USE
- OPTIONAL LIGHT PIPE ASSEMBLY AVAILABLE
- PORTS ARE DESIGNED FOR SFP+ TRANSCEIVERS AND ARE BACKWARDS COMPATIBLE WITH SFP TRANSCEIVERS
- NO RoHS EXEMPTIONS

WEEK/YEAR DATE CODE TABLE	
WK	01 THRU 52 OR 53 EXAMPLE: 01 = FIRST WEEK OF YEAR 52 = LAST WEEK OF YEAR
YR	22, 23, 24 ETC. EXAMPLE: YEAR 2022 = 22

THIS DRAWING CONTAINS INFORMATION THAT IS PROPRIETARY TO MOLEX ELECTRONIC TECHNOLOGIES, LLC AND SHOULD NOT BE USED WITHOUT WRITTEN PERMISSION

DIMENSION UNITS	SCALE	CURRENT REV DESC:	molex						
mm	3:1								
GENERAL TOLERANCES (UNLESS SPECIFIED)			SFP+ 1X1 CAGE ASSY PRESS FIT TYPE, WITH SUS EMI SPRING FINGERS						
ANGULAR TOL	± 0.5°	EC NO: 707665							
4 PLACES	±	DRWN: TKUMARKC 2022/05/31	PRODUCT CUSTOMER DRAWING						
3 PLACES	±	CHK'D: TKUMARKC 2022/06/13							
2 PLACES	± 0.13	APPR: SCHIEN 2022/06/16	DOCUMENT NUMBER						
1 PLACE	± 0.25	INITIAL REVISION:							
0 PLACES	±	DRWN: CHETHH2 2022/05/16	747548101						
		APPR: SCHIEN 2022/05/19							
DRAFT WHERE APPLICABLE MUST REMAIN WITHIN DIMENSIONS	THIRD ANGLE PROJECTION	DRAWING	SERIES	MATERIAL NUMBER	CUSTOMER	DOC TYPE	DOC PART	REVISION	SHEET NUMBER
		C-SIZE	74754	SEE P/N TABLE		PSD	ASY	B	1 OF 5

PCB LAYOUT FOR SINGLE SIDE MOUNT

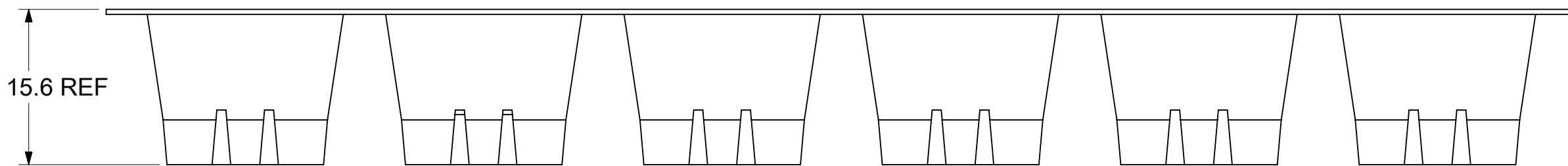
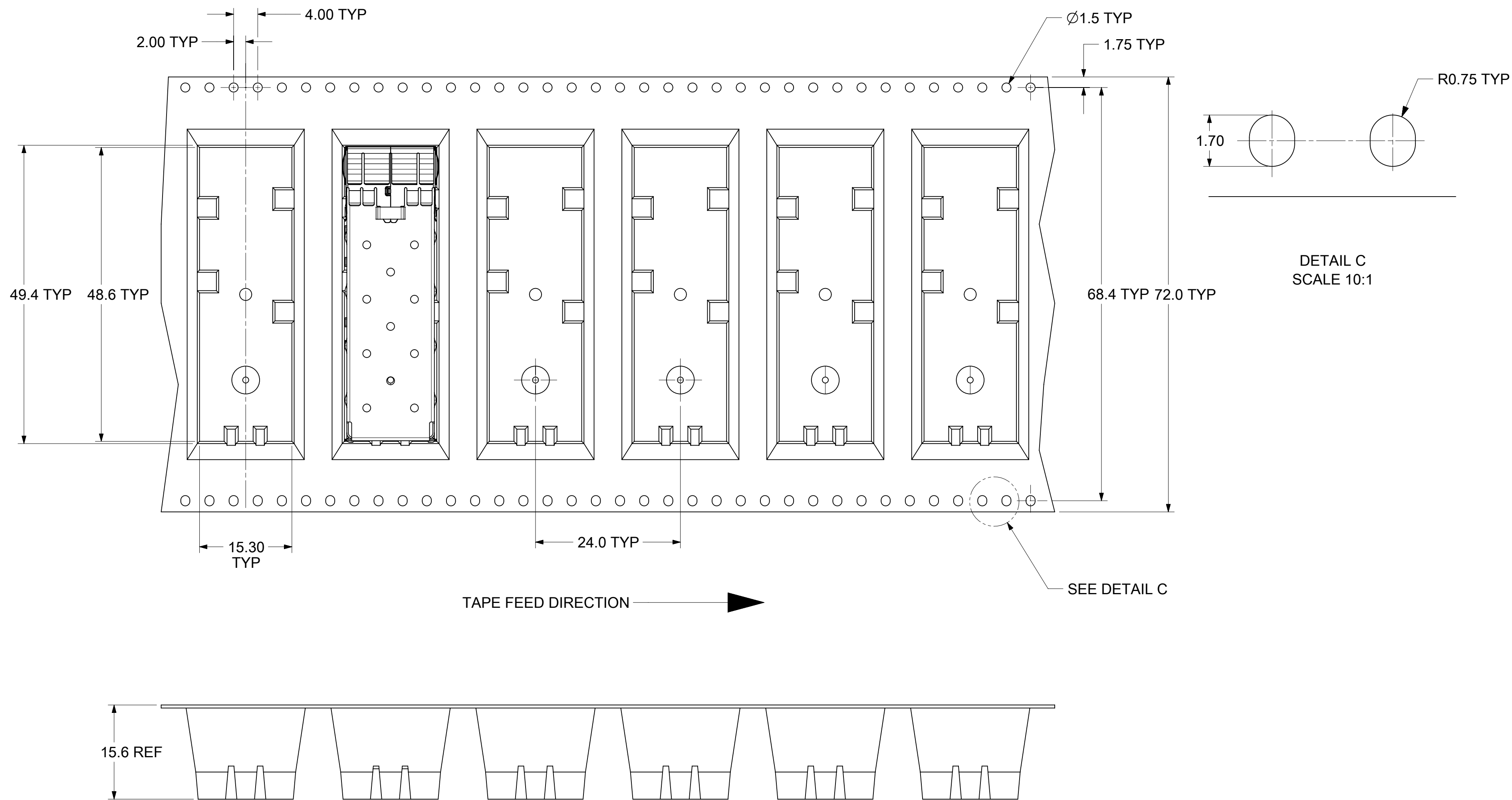


DETAIL 1
SCALE 8:1
HOST CONNECTOR DETAIL

- NOTES:
1. PADS AND VIAS CONNECT TO CHASSIS GROUND (RECOMMEND PADS TO BE 2.00mm SQUARE)
 2. RECOMMENDED THRU HOLE PLATING INCLUDES HASL, OSP, OR IMMERSION (GOLD, SILVER, OR TIN).
 3. CONNECTOR PAD LAYOUT PER SFP+ MSA WILL ACCOMMODATE MOLEX CONNECTOR SERIES 74441 OR EQUIVALENT.

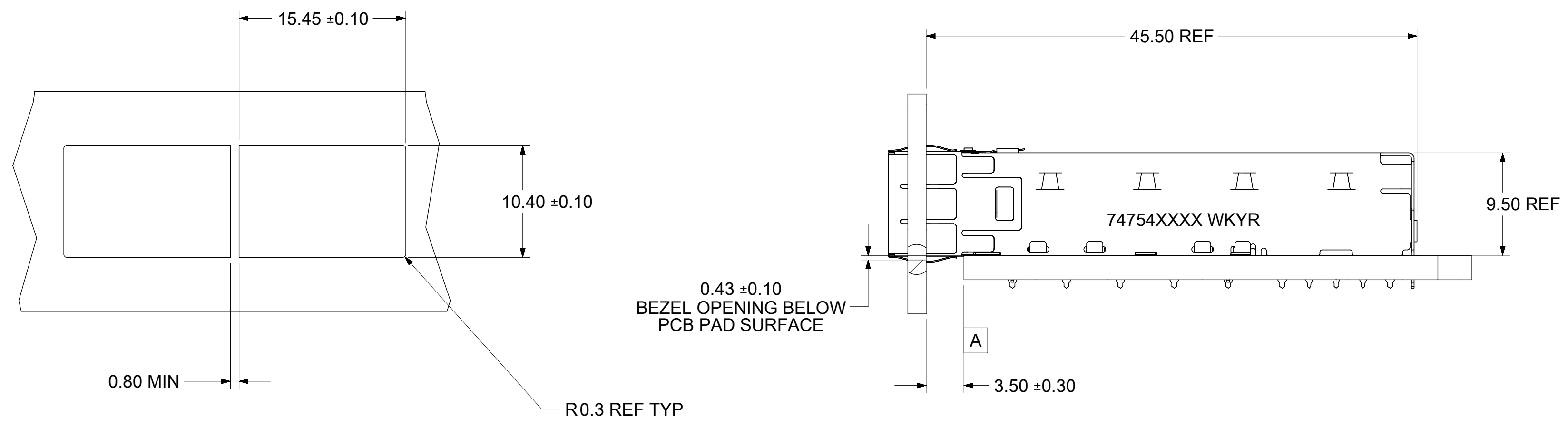
THIS DRAWING CONTAINS INFORMATION THAT IS PROPRIETARY TO MOLEX ELECTRONIC TECHNOLOGIES, LLC AND SHOULD NOT BE USED WITHOUT WRITTEN PERMISSION									
DIMENSION UNITS		SCALE		CURRENT REV DESC:					
mm		3:1							
GENERAL TOLERANCES (UNLESS SPECIFIED)				EC NO: 707665				SFP+ 1X1 CAGE ASSY PRESS FIT TYPE, WITH SUS EMI SPRING FINGERS	
ANGULAR TOL ± 0.5°				4 PLACES ±		DRWN: TKUMARKC 2022/05/31			
				3 PLACES ±		CHK'D: TKUMARKC 2022/06/13			
				2 PLACES ± 0.13		APPR: SCHIEN 2022/06/16		PRODUCT CUSTOMER DRAWING	
				1 PLACE ± 0.25		INITIAL REVISION:		DOCUMENT NUMBER	
				0 PLACES ±		DRWN: CHETHH2 2022/05/16		747548101	
				APPR: SCHIEN 2022/05/19				PSD ASY B	
DRAFT WHERE APPLICABLE MUST REMAIN WITHIN DIMENSIONS		THIRD ANGLE PROJECTION		DRAWING		SERIES		MATERIAL NUMBER	
				C-SIZE		74754		SEE P/N TABLE	
								CUSTOMER	
								SHEET NUMBER	
								2 OF 5	

APPLIES FOR 747548109



THIS DRAWING CONTAINS INFORMATION THAT IS PROPRIETARY TO MOLEX ELECTRONIC TECHNOLOGIES, LLC AND SHOULD NOT BE USED WITHOUT WRITTEN PERMISSION									
DIMENSION UNITS		SCALE		CURRENT REV DESC:					
mm		2:1							
GENERAL TOLERANCES (UNLESS SPECIFIED)									
ANGULAR TOL ± 0.5°				EC NO: 707665					
4 PLACES ±				DRWN: TKUMARKC		2022/05/31			
3 PLACES ±				CHK'D: TKUMARKC		2022/06/13			
2 PLACES ± 0.13				APPR: SCHIEN		2022/06/16			
1 PLACE ± 0.25				INITIAL REVISION:					
0 PLACES ±				DRWN: CHETHH2		2022/05/16			
				APPR: SCHIEN		2022/05/19			
DRAFT WHERE APPLICABLE MUST REMAIN WITHIN DIMENSIONS				THIRD ANGLE PROJECTION		DRAWING		SERIES	
						C-SIZE		74754	
DOCUMENT STATUS				P1		RELEASE DATE		2022/06/16 10:32:47	
DOCUMENT NUMBER				747548101		DOC TYPE		PSD ASY B	
MATERIAL NUMBER				SEE P/N TABLE		CUSTOMER		SHEET NUMBER	
								3 OF 5	

BEZEL AND BOARD POSITION DIMENSIONS FOR SINGLE SIDE MOUNTING (SPRING FINGER)



THIS DRAWING CONTAINS INFORMATION THAT IS PROPRIETARY TO MOLEX ELECTRONIC TECHNOLOGIES, LLC AND SHOULD NOT BE USED WITHOUT WRITTEN PERMISSION										
DIMENSION UNITS	SCALE	CURRENT REV DESC:				molex				
mm	3:1					SFP+ 1X1 CAGE ASSY PRESS FIT TYPE, WITH SUS EMI SPRING FINGERS				
GENERAL TOLERANCES (UNLESS SPECIFIED)						PRODUCT CUSTOMER DRAWING				
ANGULAR TOL	± 0.5°	EC NO: 707665								
4 PLACES	±	DRWN: TKUMARKC		2022/05/31						
3 PLACES	±	CHK'D: TKUMARKC		2022/06/13						
2 PLACES	± 0.13	APPR: SCHIEN		2022/06/16						
1 PLACE	± 0.25	INITIAL REVISION:								
0 PLACES	±	DRWN: CHETHH2		2022/05/16		DOCUMENT NUMBER		DOC TYPE	DOC PART	REVISION
		APPR: SCHIEN		2022/05/19		747548101		PSD	ASY	B
DRAFT WHERE APPLICABLE MUST REMAIN WITHIN DIMENSIONS		THIRD ANGLE PROJECTION		DRAWING	SERIES	MATERIAL NUMBER	CUSTOMER		SHEET NUMBER	
				C-SIZE	74754	SEE P/N TABLE			4 OF 5	

REV	DATE	DESCRIPTION
A	2022/05/16	INITIAL RELEASE
B	2022/05/31	SHEET 1: ADDED NEW PART NUMBER 747548109 TO P/N TABLE. SHEET 3: ADDED A SHEET TO SHOW TAPE AND REEL PACKAGING.

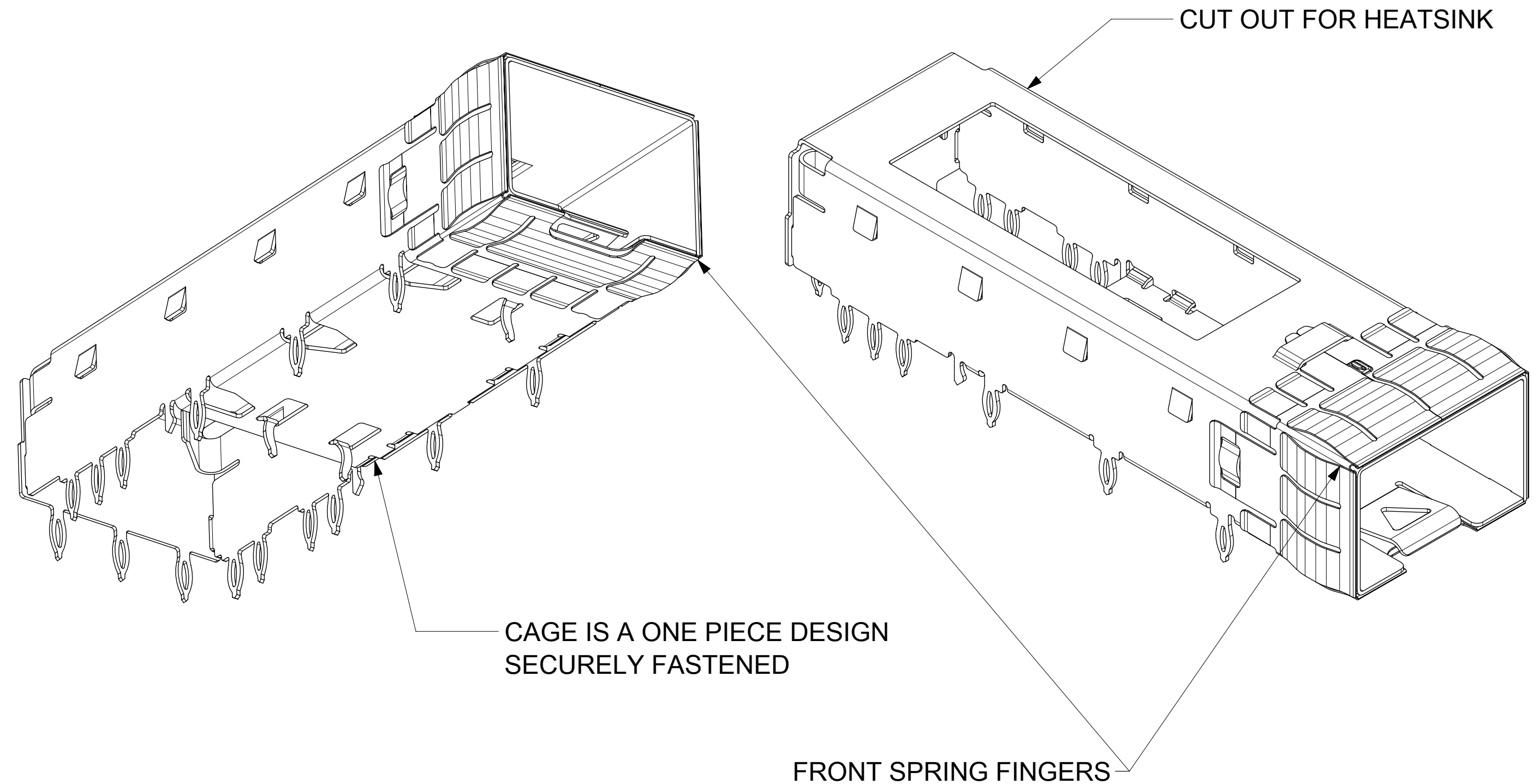
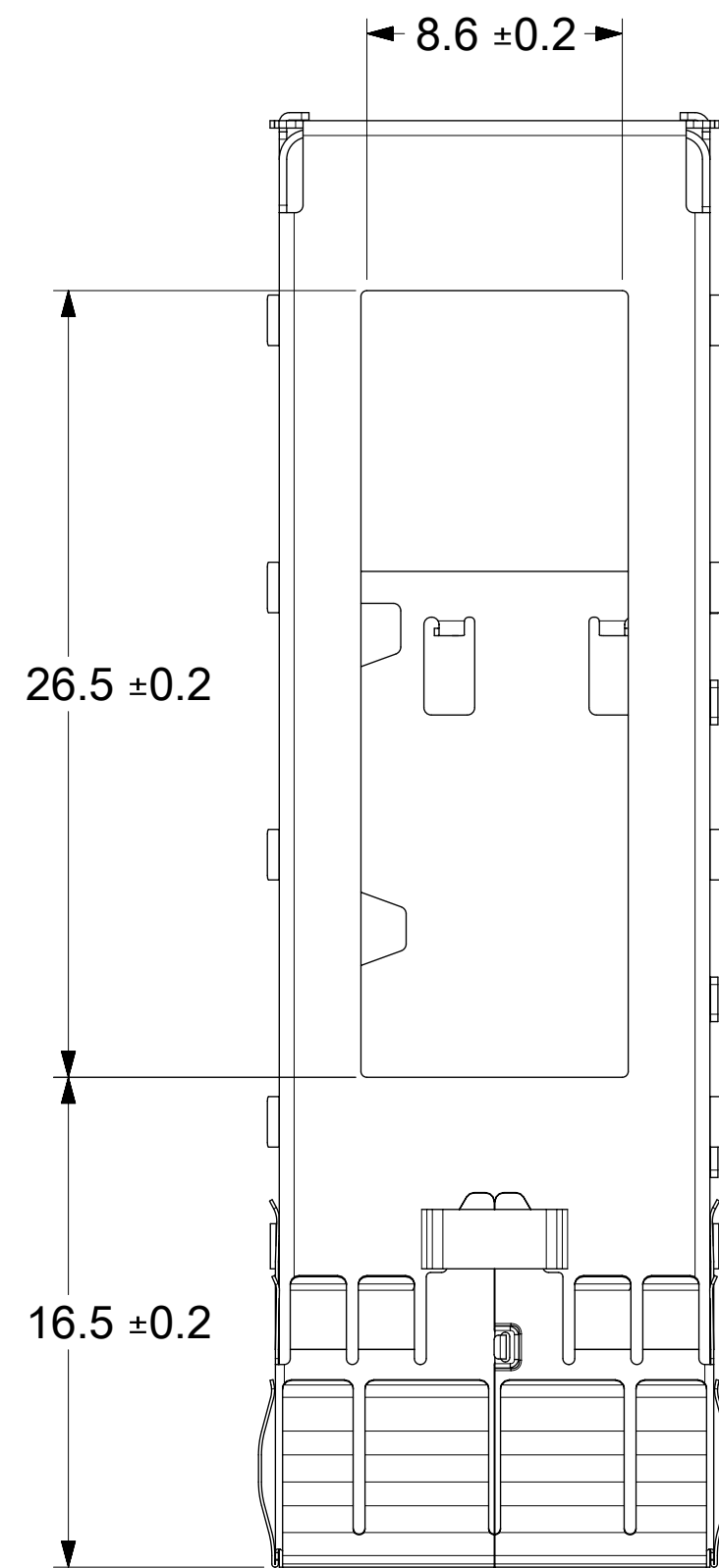
THIS DRAWING CONTAINS INFORMATION THAT IS PROPRIETARY TO MOLEX ELECTRONIC TECHNOLOGIES, LLC AND SHOULD NOT BE USED WITHOUT WRITTEN PERMISSION

DIMENSION UNITS	SCALE	CURRENT REV DESC:		<h1>molex</h1>		
mm	1:1	EC NO: 707665		SFP+ 1X1 CAGE ASSY PRESS FIT TYPE, WITH SUS EMI SPRING FINGERS		
GENERAL TOLERANCES (UNLESS SPECIFIED)		DRWN: TKUMARKC	2022/05/31	PRODUCT CUSTOMER DRAWING		
ANGULAR TOL	± 0.5°	CHK'D: TKUMARKC	2022/06/13	DOCUMENT NUMBER		
4 PLACES	±	APPR: SCHIEN	2022/06/16	747548101		
3 PLACES	±	INITIAL REVISION:		DOC TYPE	DOC PART	REVISION
2 PLACES	± 0.13	DRWN: CHETHH2		PSD	ASY	B
1 PLACE	± 0.25	APPR: SCHIEN		SHEET NUMBER		
0 PLACES	±	THIRD ANGLE PROJECTION	DRAWING	SERIES	MATERIAL NUMBER	CUSTOMER
DRAFT WHERE APPLICABLE MUST REMAIN WITHIN DIMENSIONS				C-SIZE	74754	SEE P/N TABLE
						5 OF 5

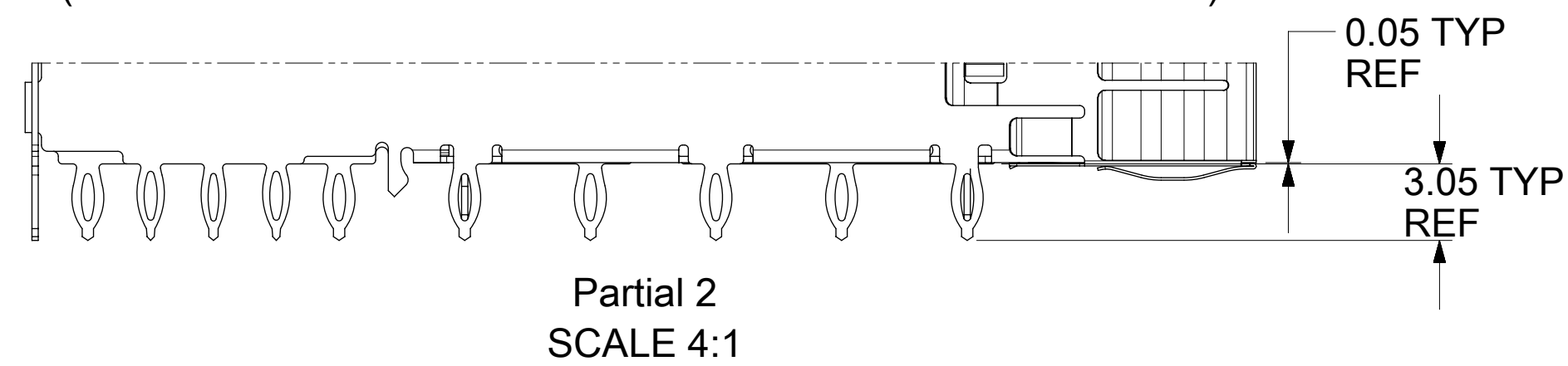
DOCUMENT STATUS	P1	RELEASE DATE	2022/06/16 10:32:47
-----------------	----	--------------	---------------------

111128101 SHOWN

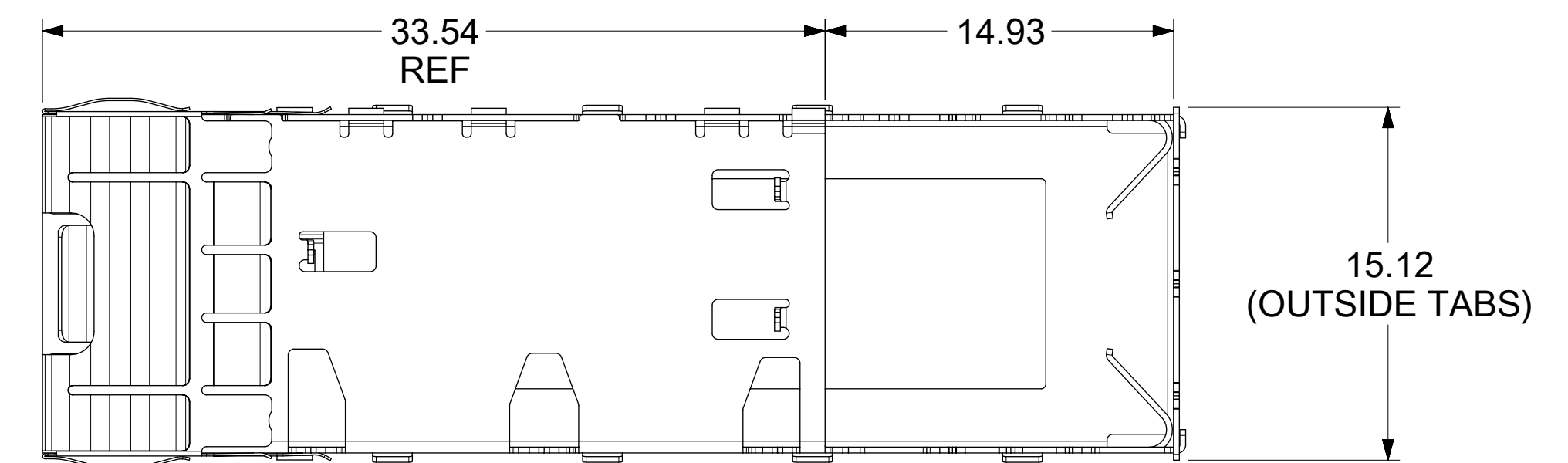
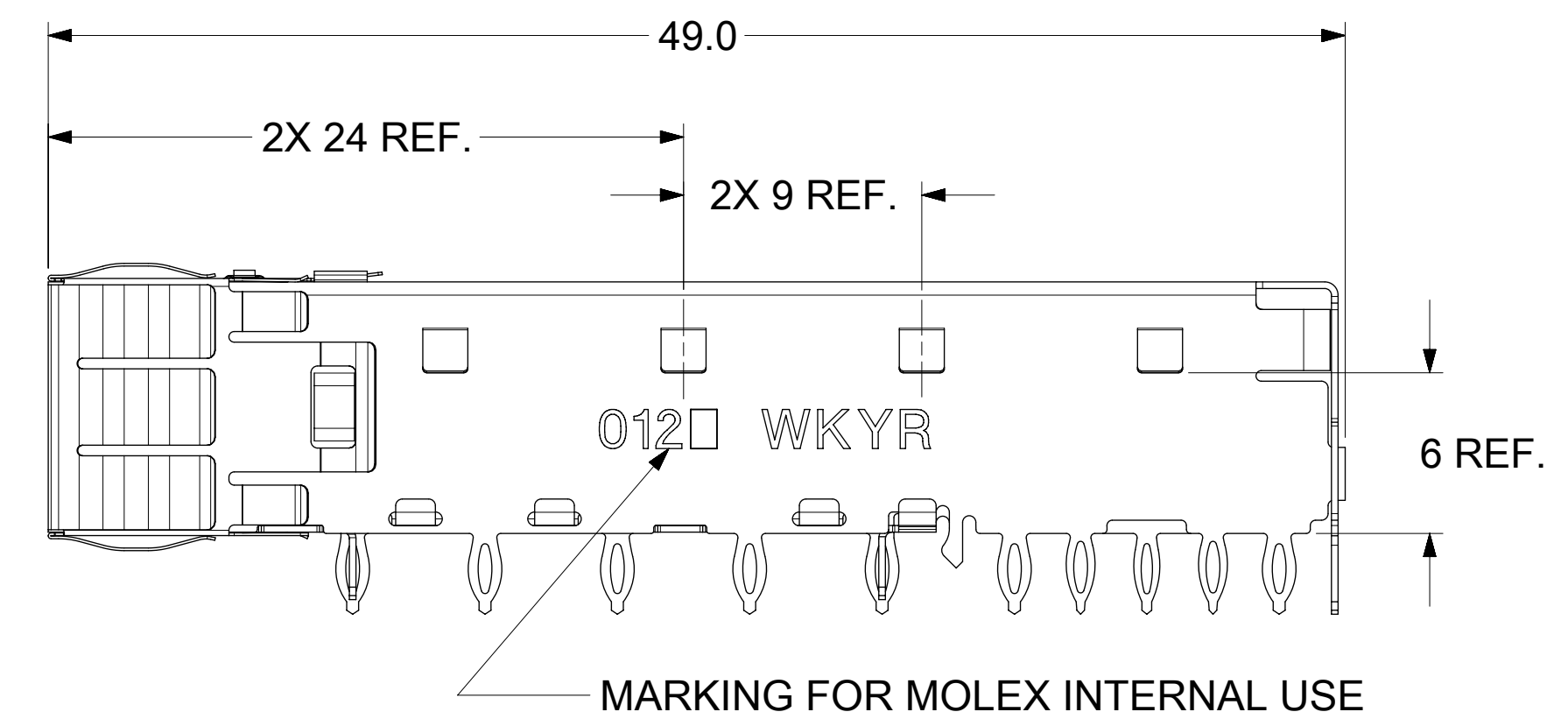
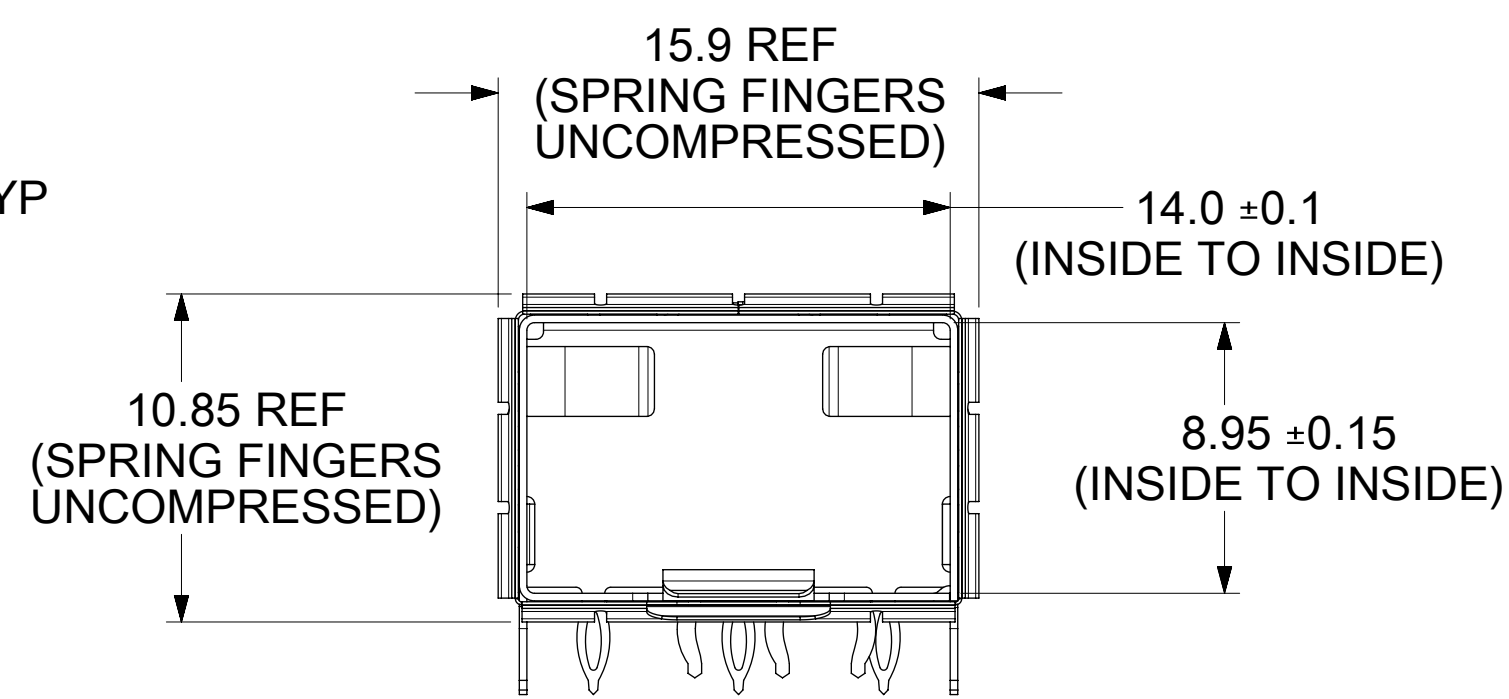
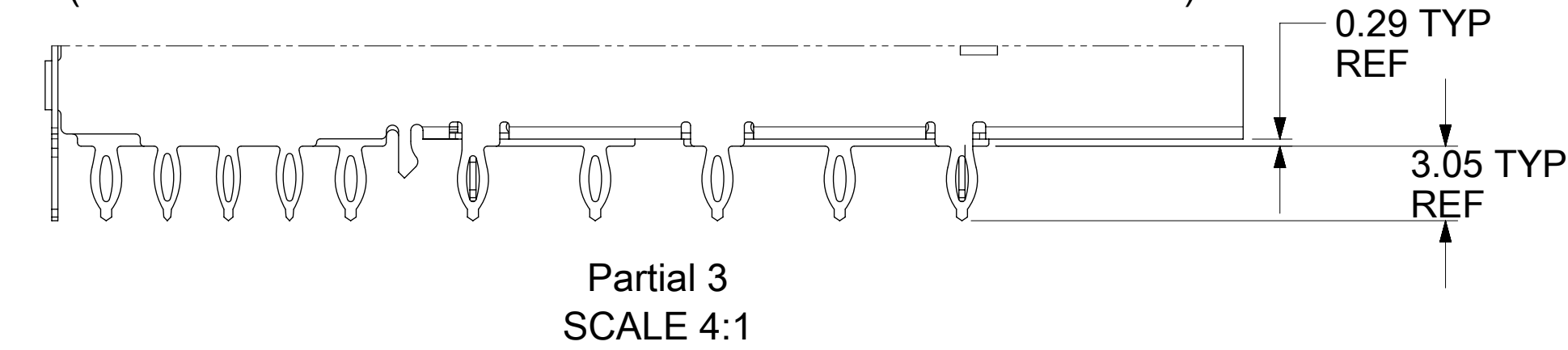
HEATSINK AND HEATSINK SPRING CLIP
REMOVED TO SHOW CAGE DETAIL
PART NUMBER 111112-8101 SHOWN



STANDARD CAGE 111112-0101
(SPRING FINGER REMOVED FROM THIS VIEW FOR CLARITY)



SPECIAL CAGE 111112-0117 WITH LENGTHENED PRESS FIT PINS
(SPRING FINGER REMOVED FROM THIS VIEW FOR CLARITY)



- NOTES:
- MATERIAL:
CAGE: 0.25mm THICK COPPER ALLOY, NICKEL PLATED.
FRONT SPRING FINGERS: STAINLESS STEEL.
HEATSINK: ALUMINUM, NICKEL PLATED.
HEATSINK SPRING CLIP: STAINLESS STEEL.
 - PRESS FIT LEGS 3.05mm LONG:
1.57mm MINIMUM PCB THICKNESS FOR SINGLE SIDED USE.
 - PORTS ARE DESIGNED FOR SFP+ TRANSCEIVERS AND ARE COMPATIBLE WITH SFP TRANSCEIVERS.
THE TOP SURFACE OF THE MODULE MUST BE FLAT (NO PRODUCT LABEL RECESS) AND THERMALLY CONDUCTIVE TO FUNCTION OPTIMALLY.
 - WELD SPOTS WILL SHOW SLIGHT MATERIAL DISCOLORATION.
 - NO ROHS EXEMPTIONS.
 - CUSTOM HEATSINKS AVAILABLE UPON REQUEST.
 - CAGE ASSEMBLY, HEATSINK, AND HEATSINK SPRING CLIP SHIPPED ASSEMBLED.
 - THE MOLEX CAGE REQUIRES USING THE MOLEX HEATSINK SPRING CLIP.

FUNCTIONAL SYMBOLS	THIS DRAWING CONTAINS INFORMATION THAT IS PROPRIETARY TO MOLEX ELECTRONIC TECHNOLOGIES, LLC AND SHOULD NOT BE USED WITHOUT WRITTEN PERMISSION		CURRENT REV DESC: SEE REVISION TABLE	
	FA = 0	mm	SCALE	4:1
DIVISIONAL SYMBOLS	GENERAL TOLERANCES (UNLESS SPECIFIED)		EC NO: 707262	
	EA = 0	ANGULAR TOL ± 1.0°	DRWN: ABHILT2	2022/04/07
FUNCTIONAL SYMBOLS	4 PLACES	±	CHK'D: TKUMARKC	2022/05/25
	3 PLACES	±	APPR: SCHIEN	2022/05/27
	2 PLACES	± 0.13	INITIAL REVISION:	
	1 PLACE	± 0.25	DRWN: ABHILT2	2022/04/07
DIVISIONAL SYMBOLS	0 PLACES	±	APPR: SCHIEN	2022/05/27
	DRAFT WHERE APPLICABLE MUST REMAIN WITHIN DIMENSIONS		THIRD ANGLE PROJECTION	DRAWING
		D-SIZE		SERIES
		111112		MATERIAL NUMBER
		SEE SHEET 2		CUSTOMER
				SHEET NUMBER
				1 OF 5

molex

SFP+ 1X1 CAGE ASSY PRESS FIT TYPE,
W/ SUS EMI SPRING FINGERS & HEAT SINK

PRODUCT CUSTOMER DRAWING

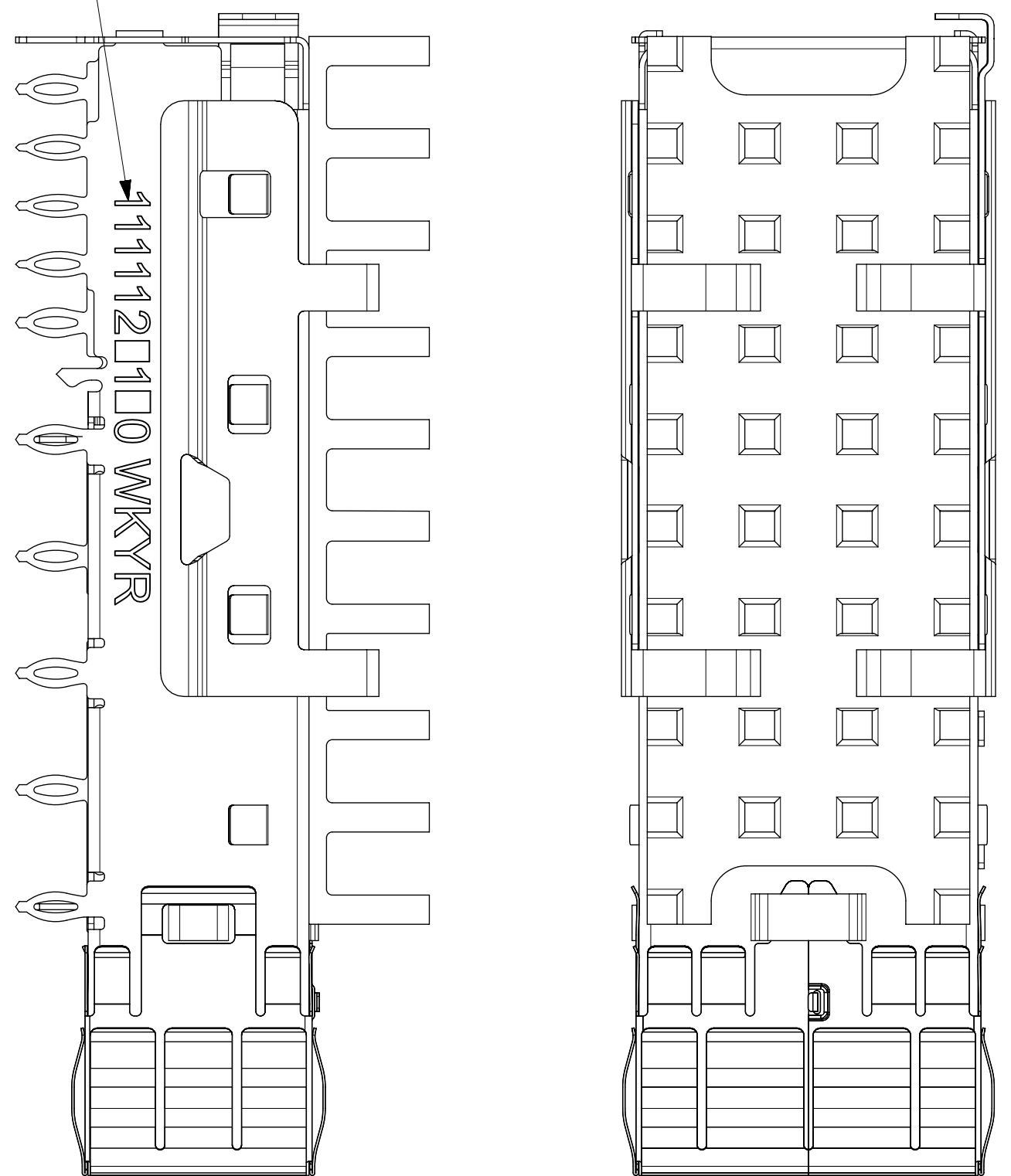
DOCUMENT NUMBER	DOC TYPE	DOC PART	REVISION
1111128101	PSD	ASY	A

111112-9120
SHOWN ASSEMBLED

HEATSINK SPRING CLIP
MATERIAL NUMBER
111112-1001
(REFERENCE)

SFP+ CAGE ASSEMBLY
WITH FRONT SPRING FINGERS

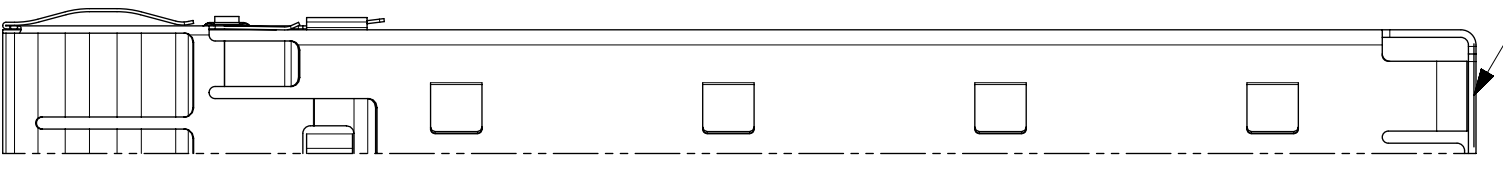
CAGE IDENTIFICATION:
KIT MATERIAL NUMBER
DATE CODE:
WK = WEEK 01 THROUGH 52.
EXAMPLE: 01 = FIRST WEEK OF YEAR, 52 = LAST WEEK OF YEAR
YR = LAST TWO DIGITS OF THE YEAR. 22, 23, 24,
ETC. EXAMPLE: 2022 = 22.



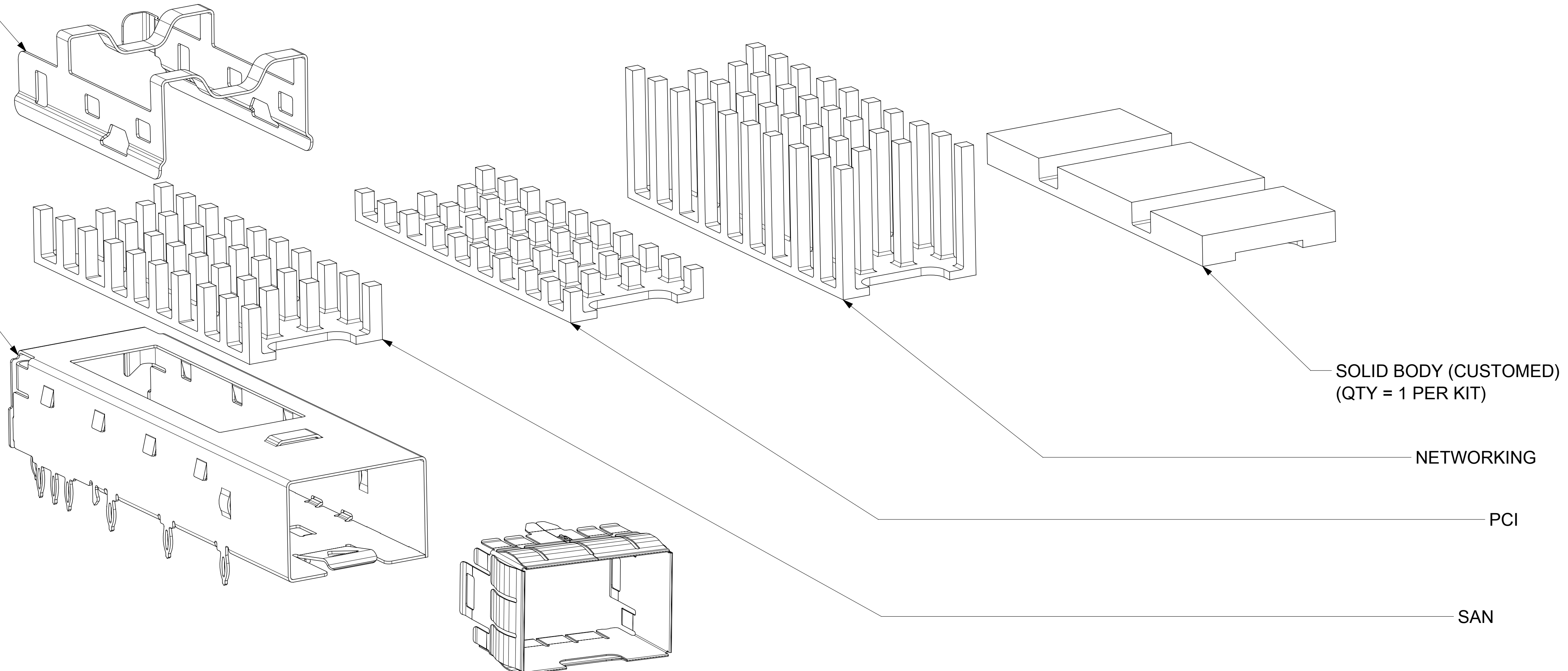
HEATSINK IS
REVERSIBLE

'B'
TYP

HEATSINK SPRING CLIP TAB
MUST BE ORIENTED TOWARDS
THE REAR OF THE CAGE



EXPLODED VIEW



SOLID BODY (CUSTOMED)
(QTY = 1 PER KIT)

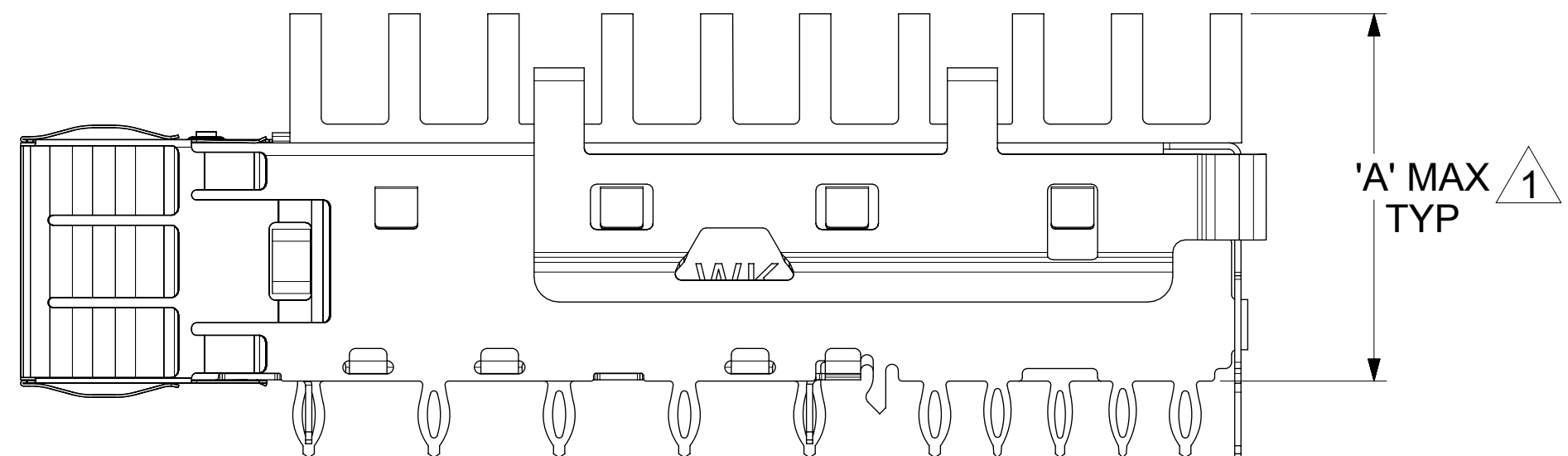
NETWORKING

PCI

SAN

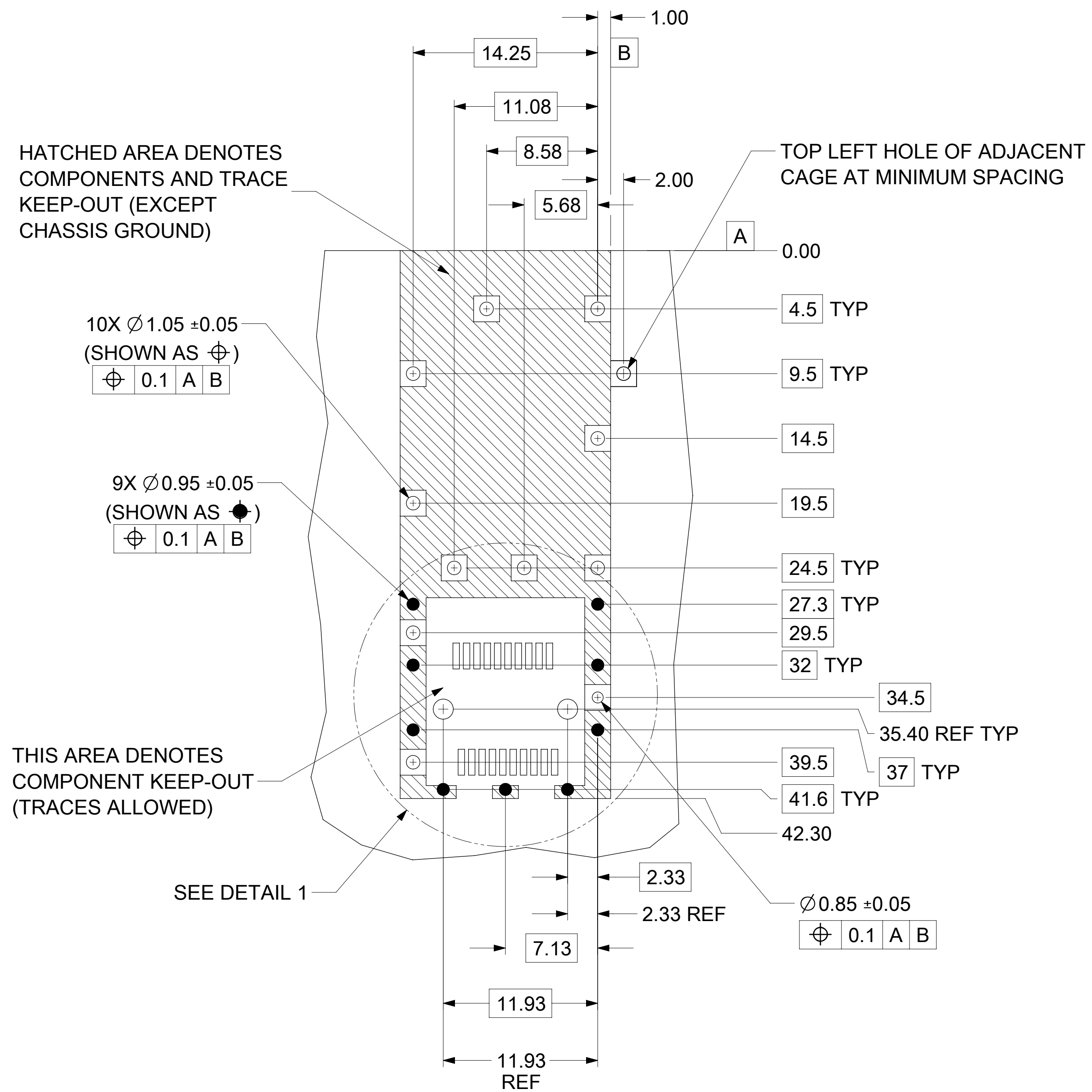
KIT MAT'L NUMBER	APPLICATION	CAGE ASSY	ASSEMBLED DIM 'A'	HEATSINK DIM 'B' (REF)	HEATSINK MAT'L NO. (REF)	POLYIMIDE GASKET ATTACHED
STANDARD CAGE						
111112-8120	PCI	111112-8101	14.0	4.2	111112-2001	NO
111112-9120	SAN	111112-8101	16.3	6.5	111112-2002	NO
111112-7120	NETWORKING	111112-8101	23.3	13.5	111112-2003	NO
111112-8121	SOLID BODY	111112-8101	14.15	4.4	111112-2030	NO

1 HEIGHT OF HEATSINK WITH MODULE INSERTED.
DIMENSION MAY BE LESS DUE TO MODULE AND HEATSINK VARIATIONS.

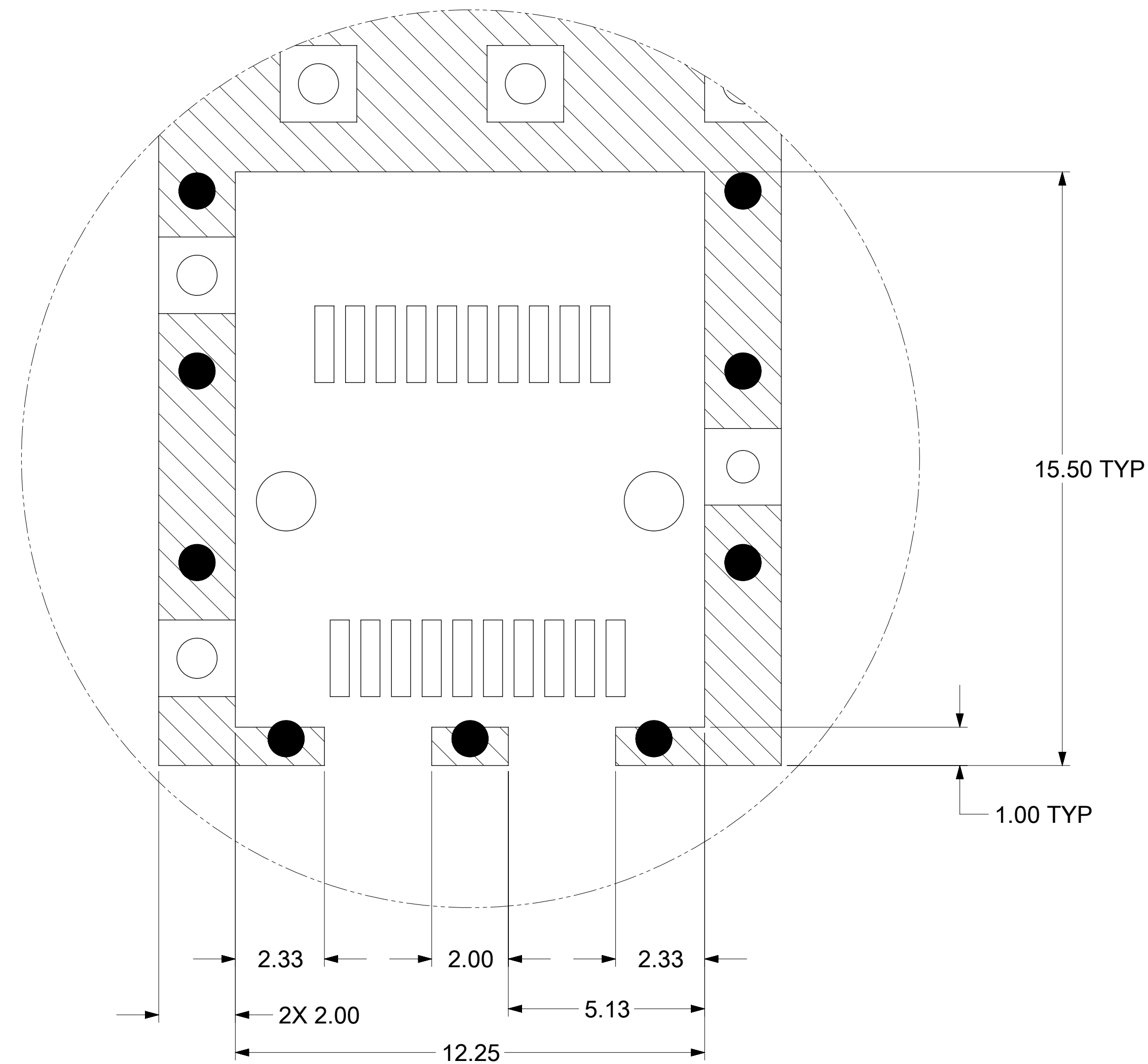


FUNCTIONAL SYMBOLS $\nabla_A = 0$ $\nabla_E = 0$ $\nabla_P = 0$ DIVISIONAL SYMBOLS	THIS DRAWING CONTAINS INFORMATION THAT IS PROPRIETARY TO MOLEX ELECTRONIC TECHNOLOGIES, LLC AND SHOULD NOT BE USED WITHOUT WRITTEN PERMISSION		CURRENT REV DESC: SEE REVISION TABLE	
	mm	SCALE	4:1	
	GENERAL TOLERANCES (UNLESS SPECIFIED)			
	4 PLACES	±		
ANGULAR TOL		±	1.0°	
3 PLACES	±			
2 PLACES	±	0.13		
1 PLACE	±	0.25		
0 PLACES	±			
DRAFT WHERE APPLICABLE MUST REMAIN WITHIN DIMENSIONS		THIRD ANGLE PROJECTION	DRAWING	SERIES
			D-SIZE	111112
DOCUMENT NUMBER		DOC TYPE	DOC PART	REVISION
1111128101		PSD	ASY	A
MATERIAL NUMBER		CUSTOMER		SHEET NUMBER
SEE SHEET 2				2 OF 5

PCB LAYOUT FOR SINGLE SIDE MOUNT



HOST CONNECTOR DETAIL



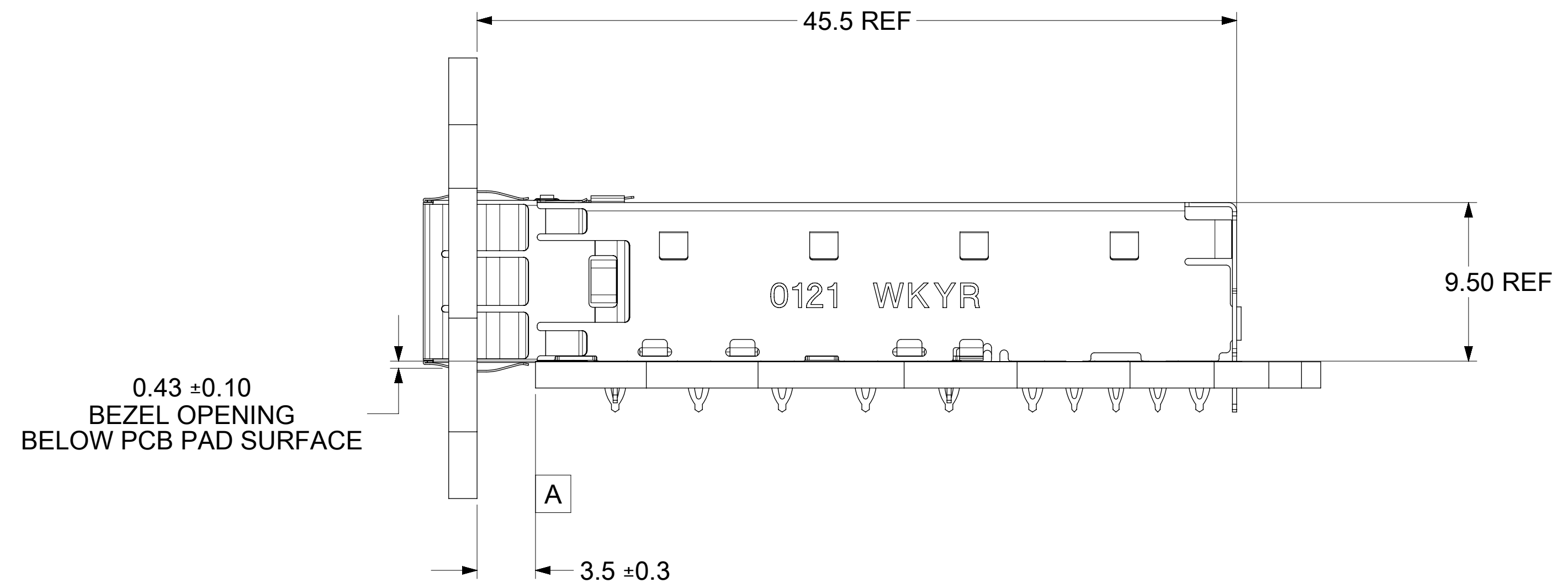
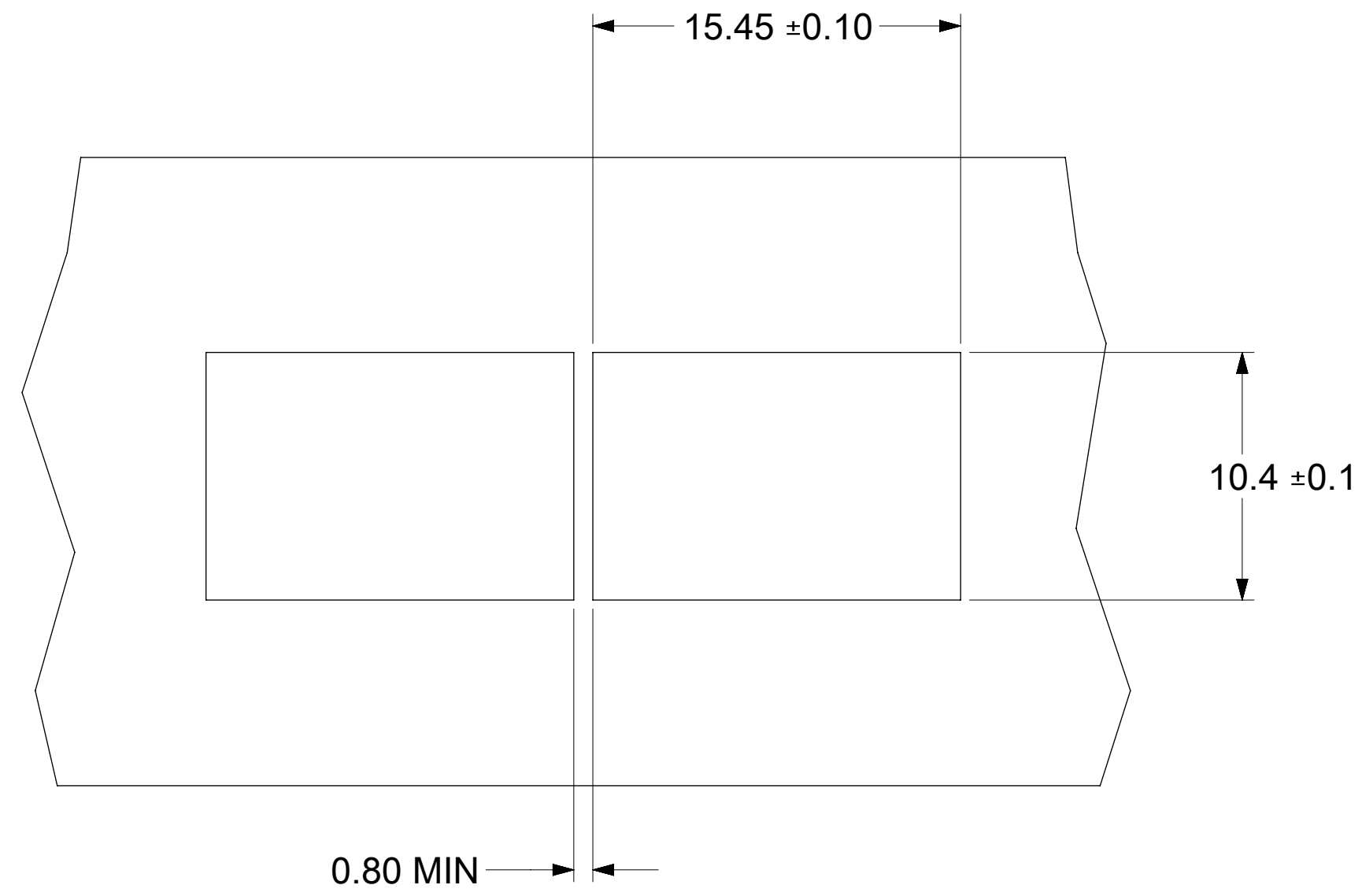
DETAIL 1
SCALE 10:1

NOTES:

1. PADS AND VIAS CONNECT TO CHASSIS GROUND (RECOMMEND PADS TO BE 2.00mm SQUARE)
2. RECOMMENDED THRU HOLE PLATING INCLUDES HASL, OSP, OR IMMERSION (GOLD, SILVER, OR TIN).
3. CONNECTOR PAD LAYOUT PER SFP+ MSA WILL ACCOMMODATE MOLEX CONNECTOR SERIES 74441 OR EQUIVALENT.

FUNCTIONAL SYMBOLS	THIS DRAWING CONTAINS INFORMATION THAT IS PROPRIETARY TO MOLEX ELECTRONIC TECHNOLOGIES, LLC AND SHOULD NOT BE USED WITHOUT WRITTEN PERMISSION		CURRENT REV DESC: SEE REVISION TABLE		molex
	FA = 0	mm	SCALE 4:1		
DIVISIONAL SYMBOLS	GENERAL TOLERANCES (UNLESS SPECIFIED)		EC NO: 707262		SFP+ 1X1 CAGE ASSY PRESS FIT TYPE, W/ SUS EMI SPRING FINGERS & HEAT SINK
	FC = 0	ANGULAR TOL ± 1.0°		DRWN: ABHILT2 2022/04/07	
DIVISIONAL SYMBOLS	FP = 0	4 PLACES	±	CHK'D: TKUMARKC 2022/05/25	PRODUCT CUSTOMER DRAWING
		3 PLACES	±	APPR: SCHIEN 2022/05/27	
		2 PLACES	± 0.13	INITIAL REVISION:	DOCUMENT NUMBER
		1 PLACE	± 0.25	DRWN: ABHILT2 2022/04/07	1111128101
	0 PLACES	±	APPR: SCHIEN 2022/05/27	DOC TYPE	
DRAFT WHERE APPLICABLE MUST REMAIN WITHIN DIMENSIONS		THIRD ANGLE PROJECTION		DRAWING	PSD
				SERIES	ASY
				MATERIAL NUMBER	A
				CUSTOMER	
				SHEET NUMBER	
				SEE SHEET 2	3 OF 5

BEZEL AND BOARD POSITION DIMENSIONS FOR SINGLE SIDE MOUNTING (SPRING FINGER)



FUNCTIONAL SYMBOLS	THIS DRAWING CONTAINS INFORMATION THAT IS PROPRIETARY TO MOLEX ELECTRONIC TECHNOLOGIES, LLC AND SHOULD NOT BE USED WITHOUT WRITTEN PERMISSION		
	DIMENSION UNITS	SCALE	CURRENT REV DESC: SEE REVISION TABLE
$\nabla_A = 0$	mm	1:1	
$\nabla_C = 0$	GENERAL TOLERANCES (UNLESS SPECIFIED)		
$\nabla_P = 0$	ANGULAR TOL $\pm 1.0^\circ$		
DIVISIONAL SYMBOLS	4 PLACES	\pm	EC NO: 707262
	3 PLACES	\pm	DRWN: ABHILT2 2022/04/07
	2 PLACES	± 0.13	CHK'D: TKUMARKC 2022/05/25
	1 PLACE	± 0.25	APPR: SCHIEN 2022/05/27
	0 PLACES	\pm	INITIAL REVISION: DRWN: ABHILT2 2022/04/07 APPR: SCHIEN 2022/05/27
DRAFT WHERE APPLICABLE MUST REMAIN WITHIN DIMENSIONS		THIRD ANGLE PROJECTION	DRAWING SERIES MATERIAL NUMBER CUSTOMER SHEET NUMBER
			D-SIZE 111112 SEE SHEET 2 4 OF 5

molex

SFP+ 1X1 CAGE ASSY PRESS FIT TYPE,
W/ SUS EMI SPRING FINGERS & HEAT SINK

PRODUCT CUSTOMER DRAWING

DOCUMENT NUMBER	DOC TYPE	DOC PART	REVISION
1111128101	PSD	ASY	A

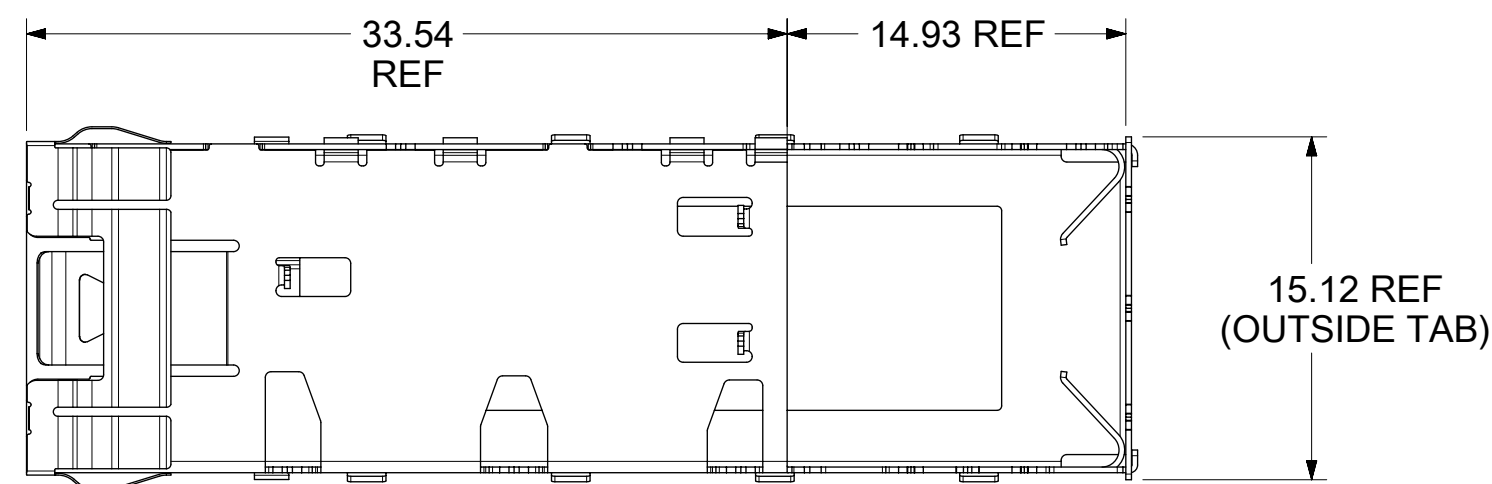
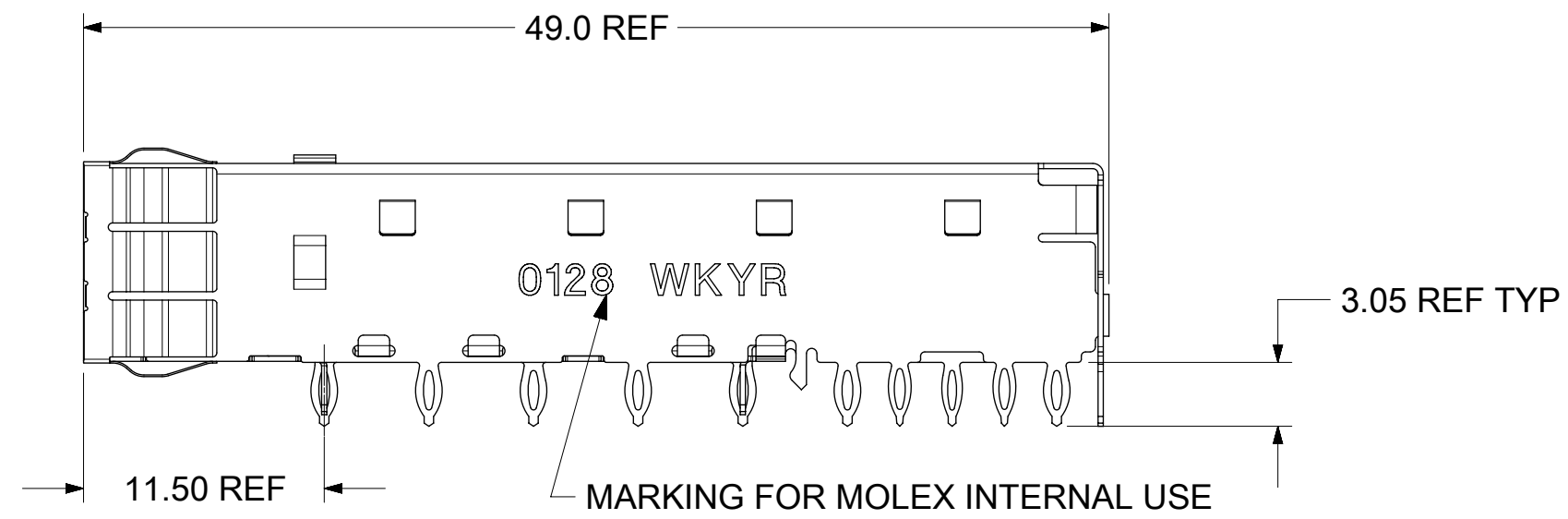
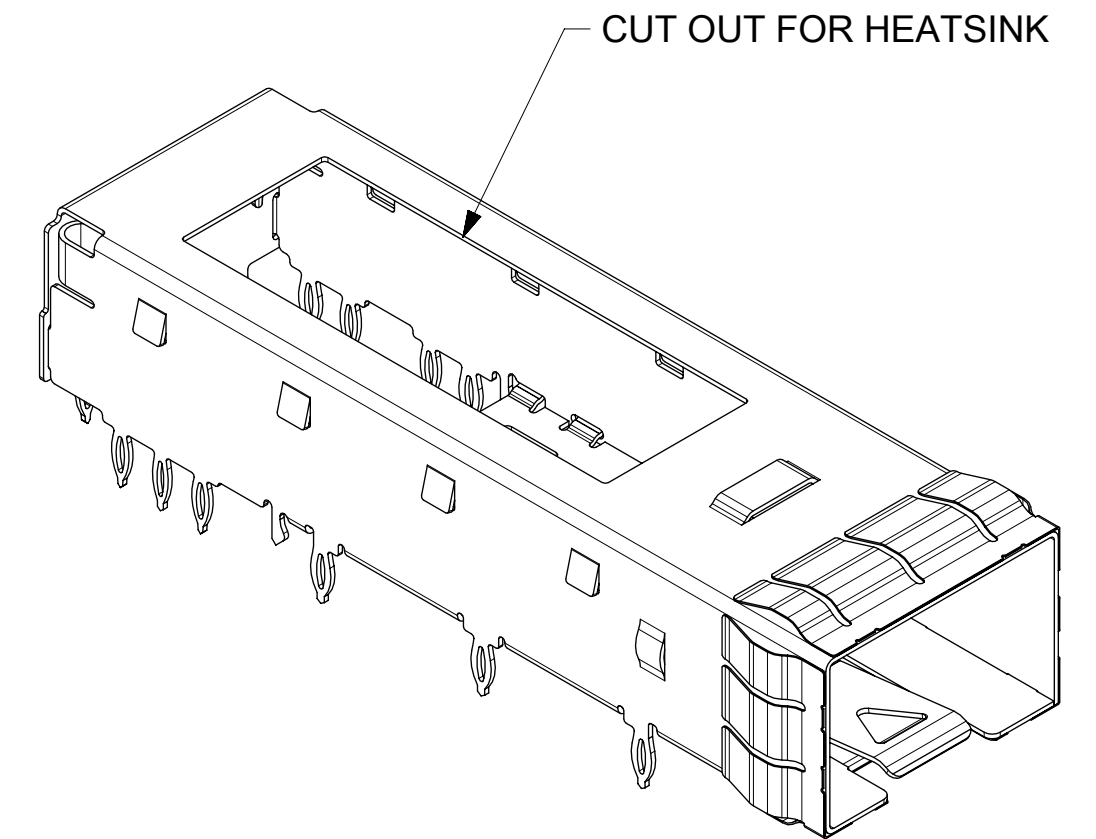
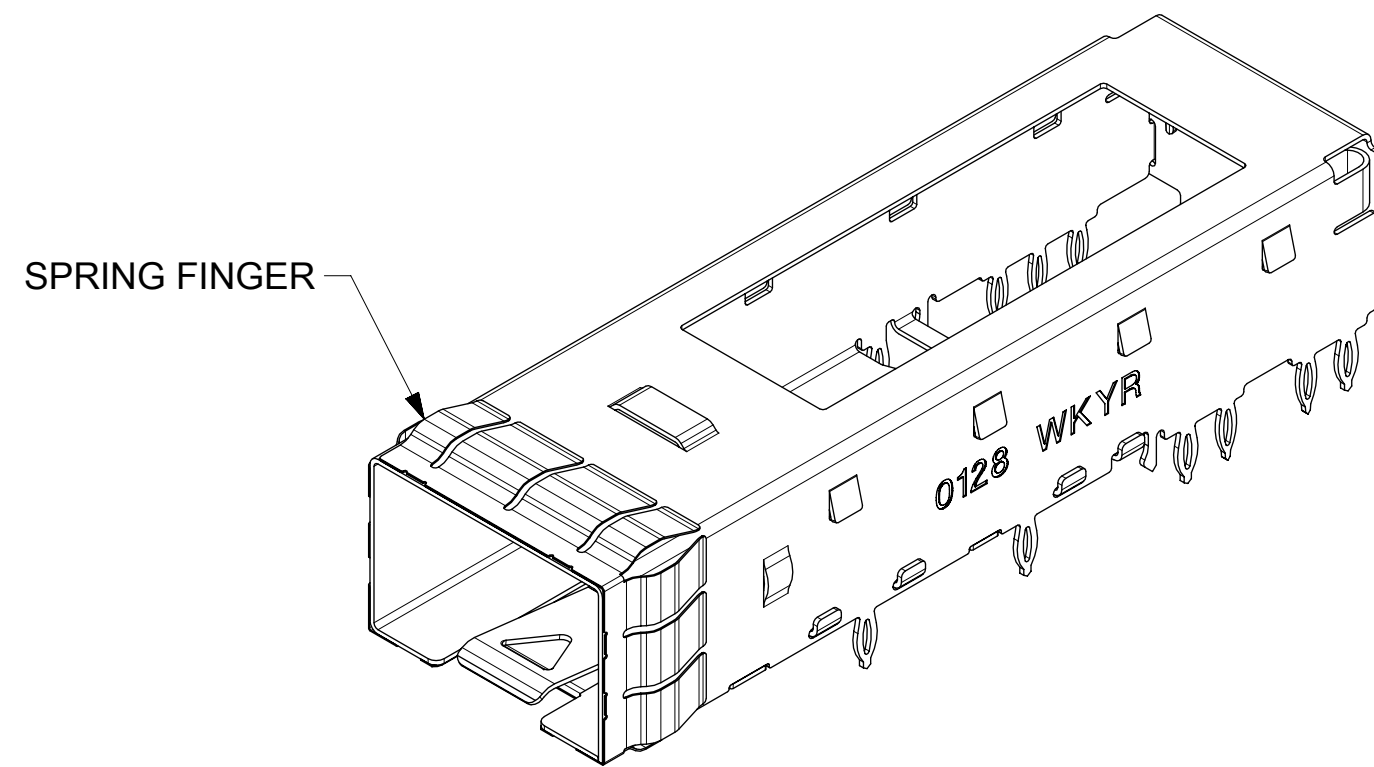
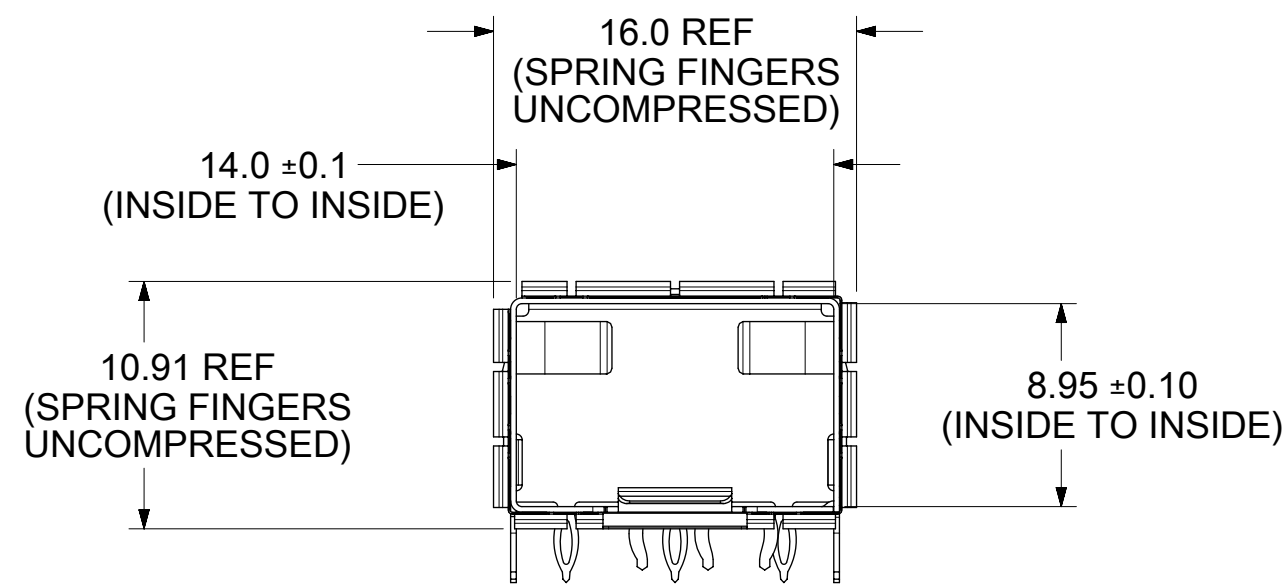
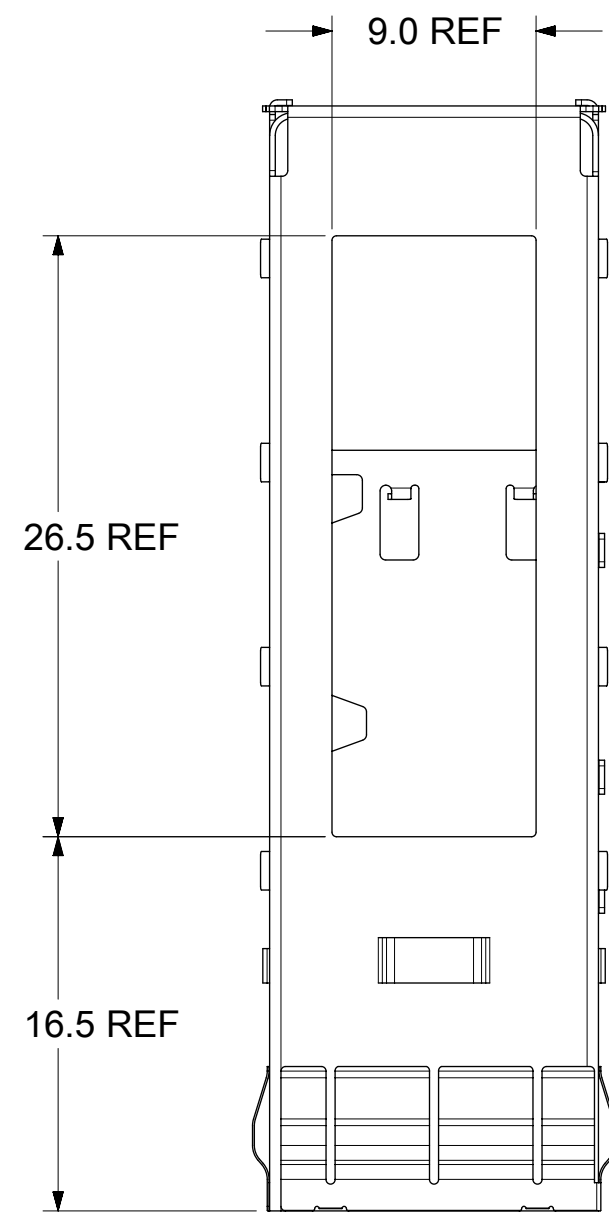
DOCUMENT STATUS	P1	RELEASE DATE	2022/05/27	10:20:26
-----------------	----	--------------	------------	----------

REVISION	DATE	DESCRIPTION
A	2022/05/25	INITIAL RELEASE

FUNCTIONAL SYMBOLS FA = 0 FC = 0 FP = 0 DIVISIONAL SYMBOLS	THIS DRAWING CONTAINS INFORMATION THAT IS PROPRIETARY TO MOLEX ELECTRONIC TECHNOLOGIES, LLC AND SHOULD NOT BE USED WITHOUT WRITTEN PERMISSION			CURRENT REV DESC: SEE REVISION TABLE					
	DIMENSION UNITS	SCALE	GENERAL TOLERANCES (UNLESS SPECIFIED)						
	mm	1:1	ANGULAR TOL ± 1.0°			EC NO: 707262			
	4 PLACES ±		3 PLACES ±			DRWN: ABHILT2 2022/04/07			
	3 PLACES ±		2 PLACES ± 0.13			CHK'D: TKUMARKC 2022/05/25			
	2 PLACES ±		1 PLACE ± 0.25			APPR: SCHIEN 2022/05/27			
1 PLACE ±		0 PLACES ±			INITIAL REVISION:				
DRAFT WHERE APPLICABLE MUST REMAIN WITHIN DIMENSIONS			THIRD ANGLE PROJECTION			DRAWING			
						SERIES			
			D-SIZE			111112			
			MATERIAL NUMBER			CUSTOMER			
			SEE SHEET 2			SHEET NUMBER			
			5 OF 5						

CAGE ASSEMBLY

HEATSINK/CLIP NOT SHOWN FOR CLARITY



- NOTES:**
- MATERIAL:**
 CAGE: 0.25mm THICK COPPER ALLOY, NICKEL PLATED.
 FRONT SPRING FINGERS: STAINLESS STEEL.
 HEATSINK: ALUMINUM, NICKEL PLATED.
 HEATSINK SPRING CLIP: STAINLESS STEEL.
 - PRESS FIT LEGS 3.05mm LONG:**
 1.57mm MINIMUM PCB THICKNESS FOR SINGLE SIDED USE.
 - PORTS ARE DESIGNED FOR SFP+ TRANSCEIVERS AND ARE COMPATIBLE WITH SFP TRANSCEIVERS.**
 THE TOP SURFACE OF THE MODULE MUST BE FLAT (NO PRODUCT LABEL RECESS) AND THERMALLY CONDUCTIVE TO FUNCTION OPTIMALLY.
 - WELD SPOTS WILL SHOW SLIGHT MATERIAL DISCOLORATION.**
 - NO RoHS EXEMPTIONS.**
 - CUSTOM HEATSINKS AVAILABLE UPON REQUEST.**
 - CAGE ASSEMBLY, HEATSINK, AND HEATSINK SPRING CLIP SHIPPED ASSEMBLED.**
 - THE MOLEX CAGE REQUIRES USING THE MOLEX HEATSINK SPRING CLIP.**

FUNCTIONAL SYMBOLS		THIS DRAWING CONTAINS INFORMATION THAT IS PROPRIETARY TO MOLEX ELECTRONIC TECHNOLOGIES, LLC AND SHOULD NOT BE USED WITHOUT WRITTEN PERMISSION		CURRENT REV DESC: SEE REVISION TABLE	
$\nabla_A = 0$	mm	SCALE	3:1	EC NO: 707262	
$\nabla_E = 0$	GENERAL TOLERANCES (UNLESS SPECIFIED)		DRWN: SKRISHNAMURT 2022/04/11		
$\nabla_P = 0$	ANGULAR TOL ± 1.0°		CHK'D: TKUMARKC 2022/05/25		
DIVISIONAL SYMBOLS		4 PLACES ±		APPR: SCHIEN 2022/05/27	
		3 PLACES ±		INITIAL REVISION:	
		2 PLACES ± 0.13		DRWN: SKRISHNAMURT 2022/04/11	
		1 PLACE ± 0.25		APPR: SCHIEN 2022/05/27	
		0 PLACES ±		DOCUMENT NUMBER	
DRAFT WHERE APPLICABLE MUST REMAIN WITHIN DIMENSIONS		THIRD ANGLE PROJECTION	DRAWING	SERIES	MATERIAL NUMBER
			C-SIZE	111112	111128122
				CUSTOMER	SHEET NUMBER
					1 OF 5

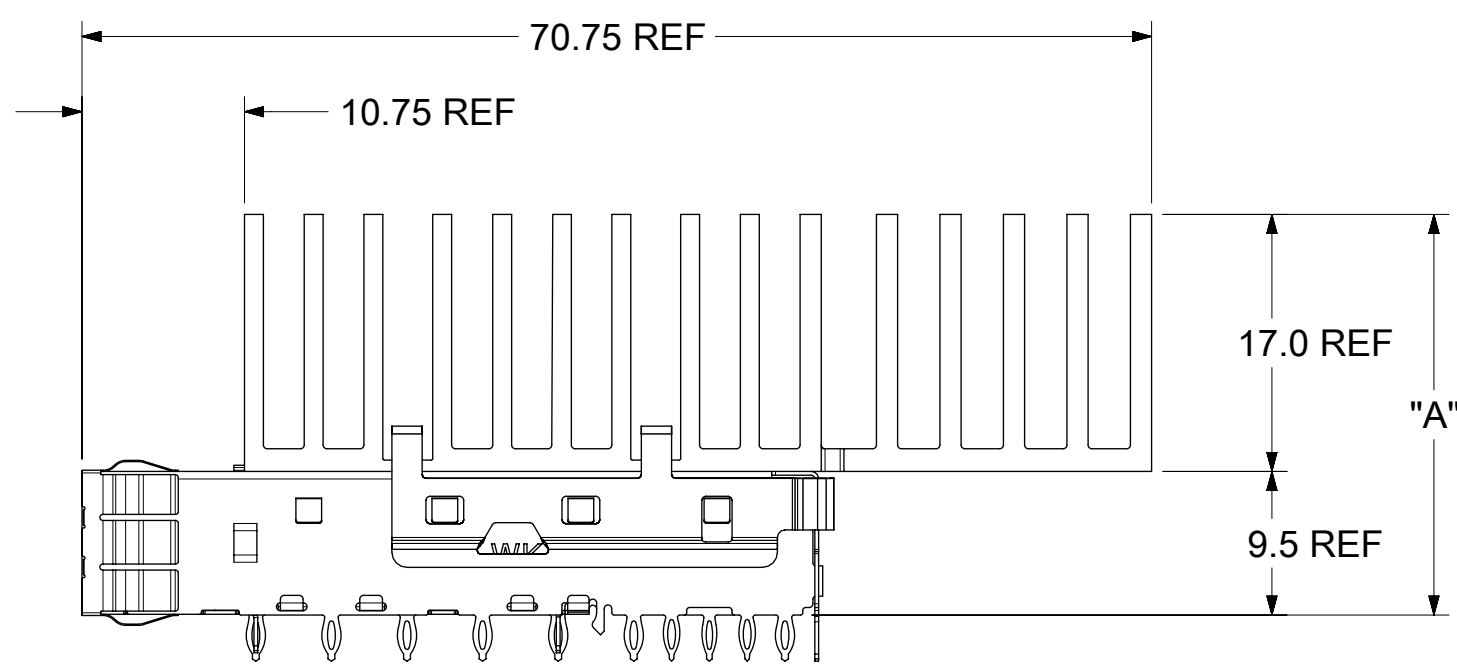
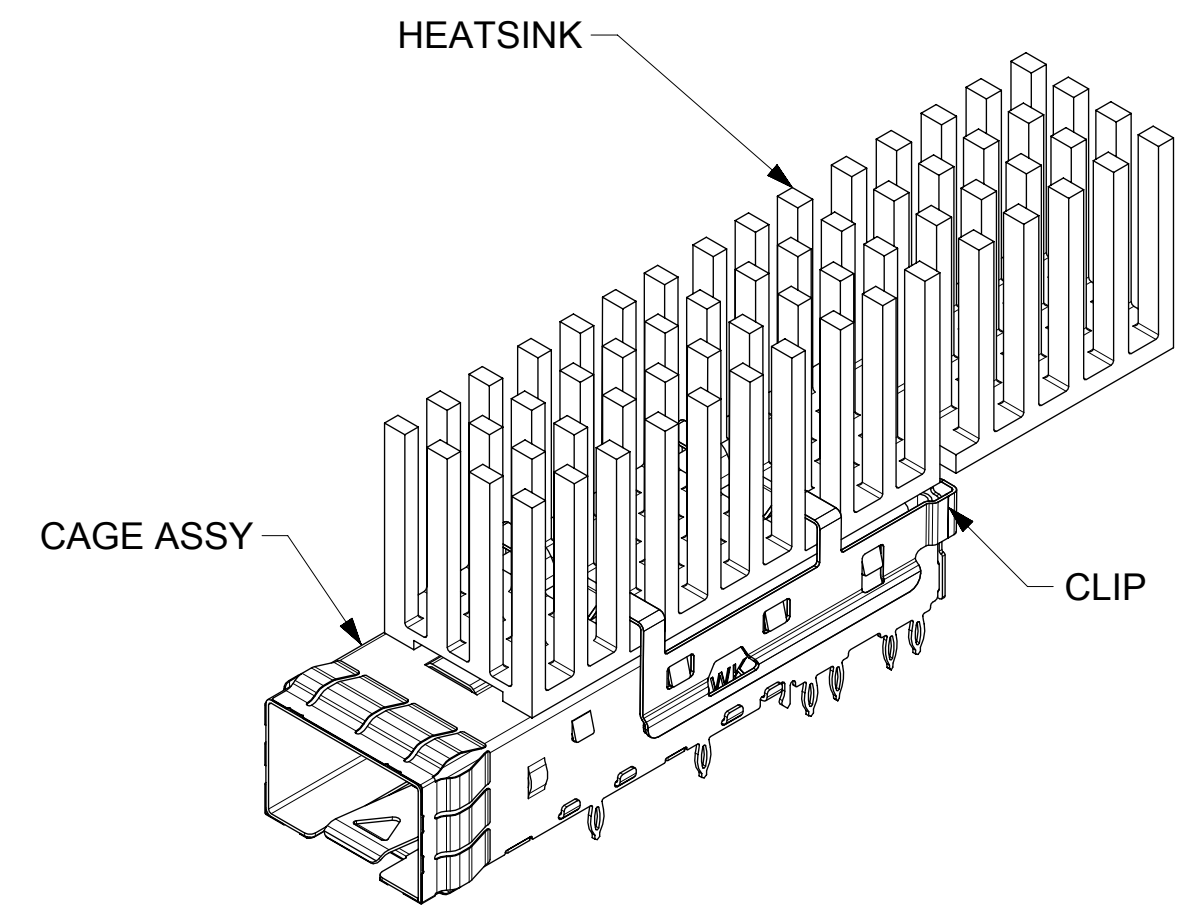
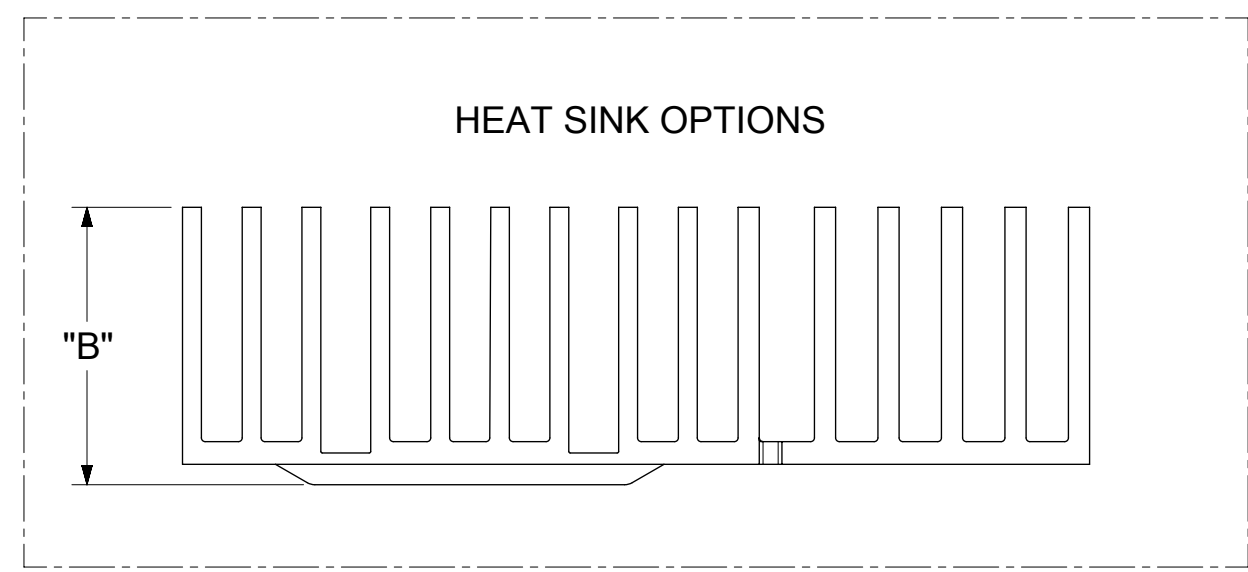
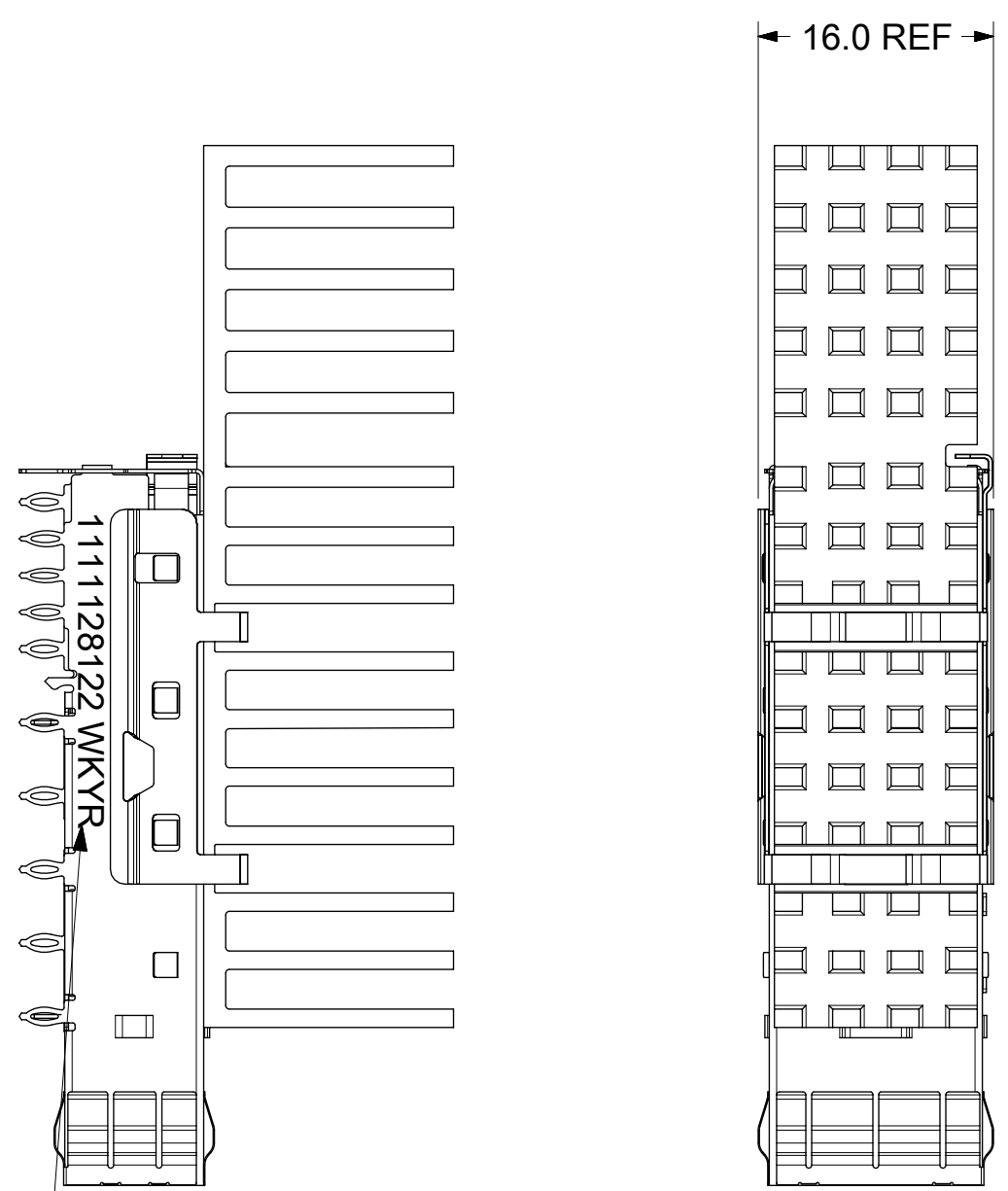
molex

SFP+ 1X1 CAGE ASSY PRESS FIT TYPE, W/ SUS SPRING FINGR, CUTOUT 3.4 & HEATSINKS

PRODUCT CUSTOMER DRAWING

111128122

PSD ASY A



"A" MAX TYP. (AFTER MATING WITH TRANSCEIVERS)

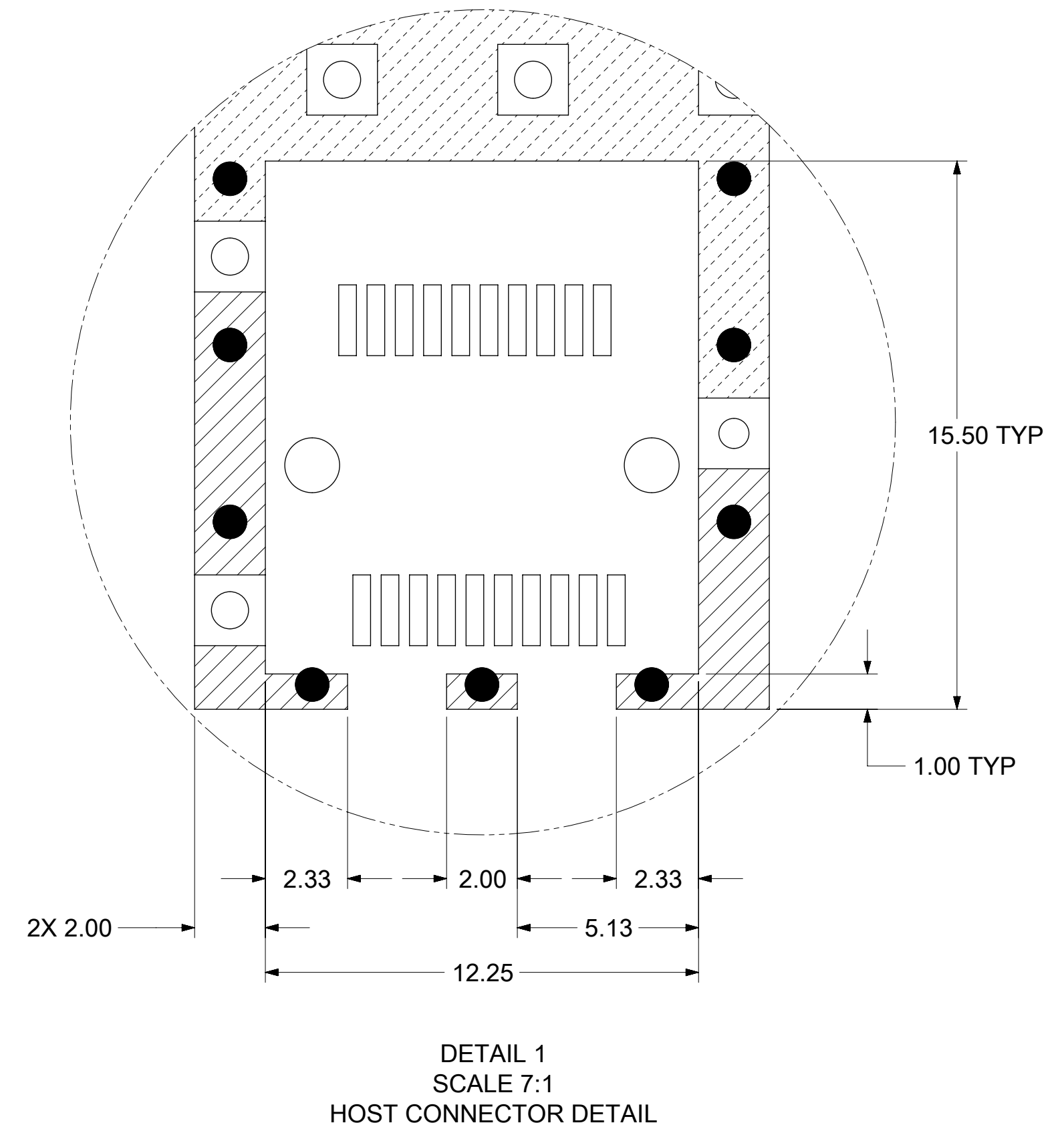
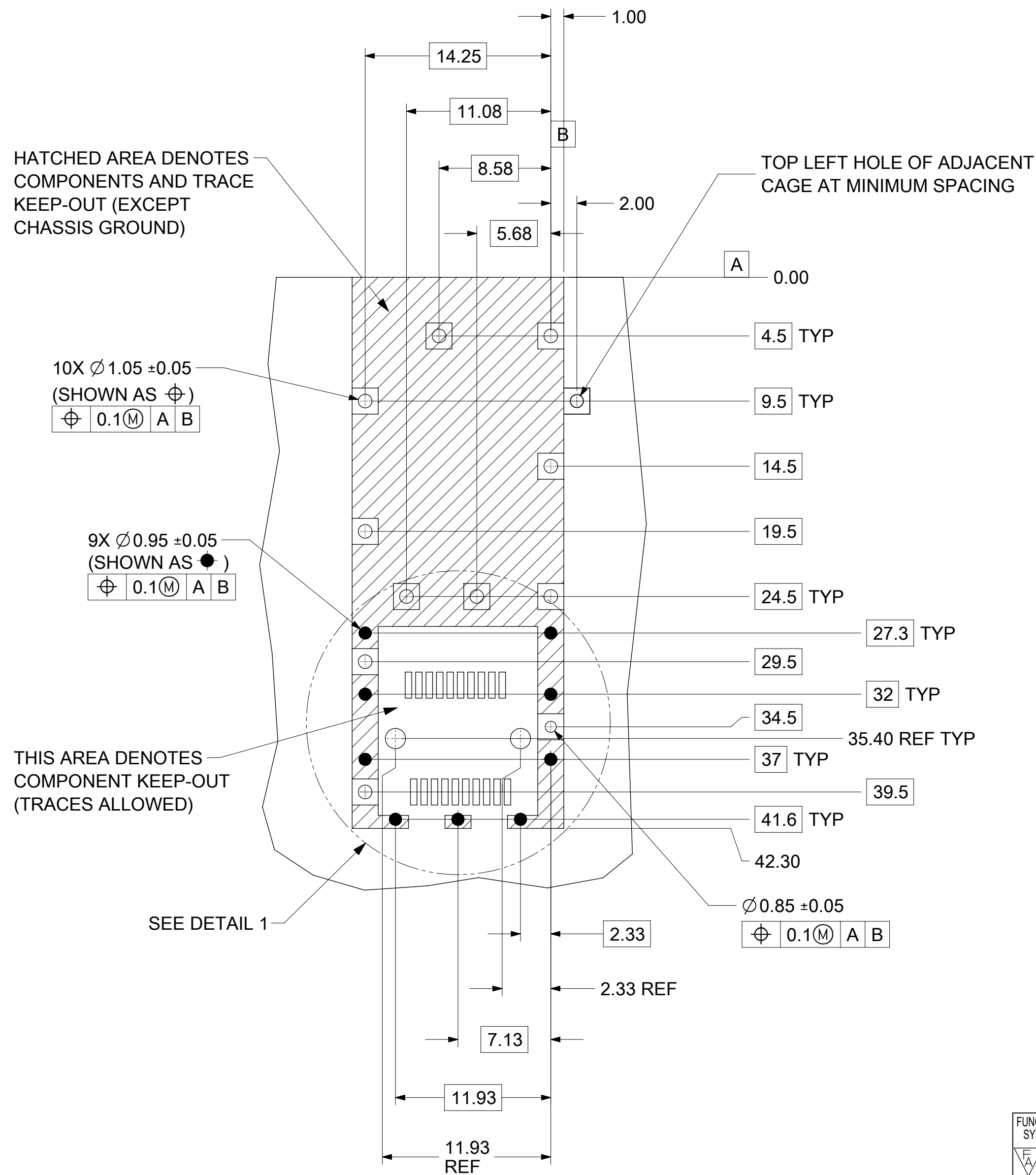
F/G PART NUMBER	DIM "A"	DIM "B"
111128122	28.1	18.35

PART NO. AND WEEK/YEAR DATE CODE TO BE PRINTED ON THE SIDE OF COMPLETED CAGE ASSEMBLY APPROXIMATELY AS SHOWN

WEEK/YEAR DATE CODE TABLE	
WK	WEEK 01 THRU 52 OR 53 EXAMPLE: 01 = FIRST WEEK OF YEAR 52 = LAST WEEK OF YEAR
YR	22, 23, 24 ETC. EXAMPLE: YEAR 2022 = 22

FUNCTIONAL SYMBOLS $\nabla_A = 0$ $\nabla_C = 0$ $\nabla_P = 0$	THIS DRAWING CONTAINS INFORMATION THAT IS PROPRIETARY TO MOLEX ELECTRONIC TECHNOLOGIES, LLC AND SHOULD NOT BE USED WITHOUT WRITTEN PERMISSION DIMENSION UNITS: mm SCALE: 2:1	CURRENT REV DESC: SEE REVISION TABLE		
	GENERAL TOLERANCES (UNLESS SPECIFIED) ANGULAR TOL $\pm 1.0^\circ$	EC NO: 707262 DRWN: SKRISHNAMURT 2022/04/11 CHK'D: TKUMARKC 2022/05/25 APPR: SCHIEN 2022/05/27	 SFP+ 1X1 CAGE ASSY PRESS FIT TYPE, W/ SUS SPRING FINGR, CUTOUT 3.4 & HEATSINKS PRODUCT CUSTOMER DRAWING	
	DIVISIONAL SYMBOLS 4 PLACES \pm 3 PLACES \pm 2 PLACES ± 0.13 1 PLACE ± 0.25 0 PLACES \pm	INITIAL REVISION: DRWN: SKRISHNAMURT 2022/04/11 APPR: SCHIEN 2022/05/27		
	DRAFT WHERE APPLICABLE MUST REMAIN WITHIN DIMENSIONS	THIRD ANGLE PROJECTION 	DRAWING: C-SIZE SERIES: 111112	DOCUMENT NUMBER: 111128122 DOC TYPE: PSD DOC PART: ASY REVISION: A MATERIAL NUMBER: 111128122 CUSTOMER: SHEET NUMBER: 2 OF 5

PCB LAYOUT FOR SINGLE SIDE MOUNT



- NOTES:
1. PADS AND VIAS CONNECT TO CHASSIS GROUND (RECOMMEND PADS TO BE 2.00mm SQUARE)
 2. RECOMMENDED THRU HOLE PLATING INCLUDES HASL, OSP, OR IMMERSION (GOLD, SILVER, OR TIN).
 3. CONNECTOR PAD LAYOUT PER SFP+ MSA WILL ACCOMMODATE MOLEX CONNECTOR SERIES 74441 OR EQUIVALENT.

FUNCTIONAL SYMBOLS	THIS DRAWING CONTAINS INFORMATION THAT IS PROPRIETARY TO MOLEX ELECTRONIC TECHNOLOGIES, LLC AND SHOULD NOT BE USED WITHOUT WRITTEN PERMISSION		CURRENT REV DESC: SEE REVISION TABLE		
	DIMENSION UNITS	SCALE			
	$\frac{F}{A} = 0$	mm	3:1		
	$\frac{F}{C} = 0$	GENERAL TOLERANCES (UNLESS SPECIFIED)			
DIVISIONAL SYMBOLS	$\frac{F}{P} = 0$	ANGULAR TOL	± 1.0°		
		4 PLACES	±	EC NO: 707262	
		3 PLACES	±	DRWN: SKRISHNAMURT	2022/04/11
		2 PLACES	± 0.13	CHK'D: TKUMARKC	2022/05/25
	1 PLACE	± 0.25	APPR: SCHIEN	2022/05/27	
	0 PLACES	±	INITIAL REVISION:		
DRAFT WHERE APPLICABLE MUST REMAIN WITHIN DIMENSIONS		THIRD ANGLE PROJECTION	DRAWING	SERIES	MATERIAL NUMBER
			C-SIZE	111112	111128122
DOCUMENT STATUS		P1	RELEASE DATE	2022/05/27 10:20:27	
DOCUMENT NUMBER		CUSTOMER		SHEET NUMBER	
111128122				3 OF 5	

molex

SFP+ 1X1 CAGE ASSY PRESS FIT TYPE, W/ SUS SPRING FINGR, CUTOUT 3.4 & HEATSINKS

PRODUCT CUSTOMER DRAWING

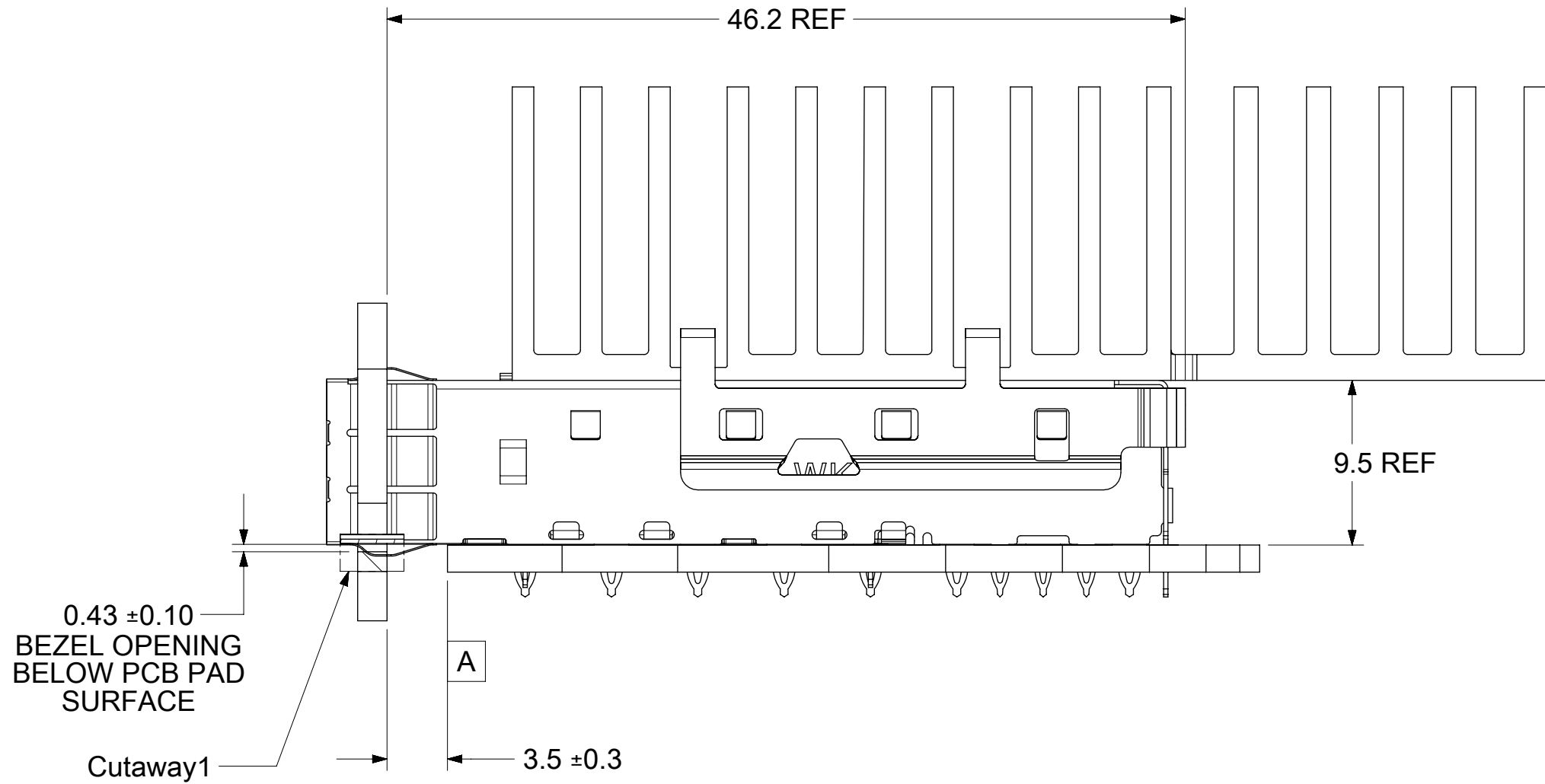
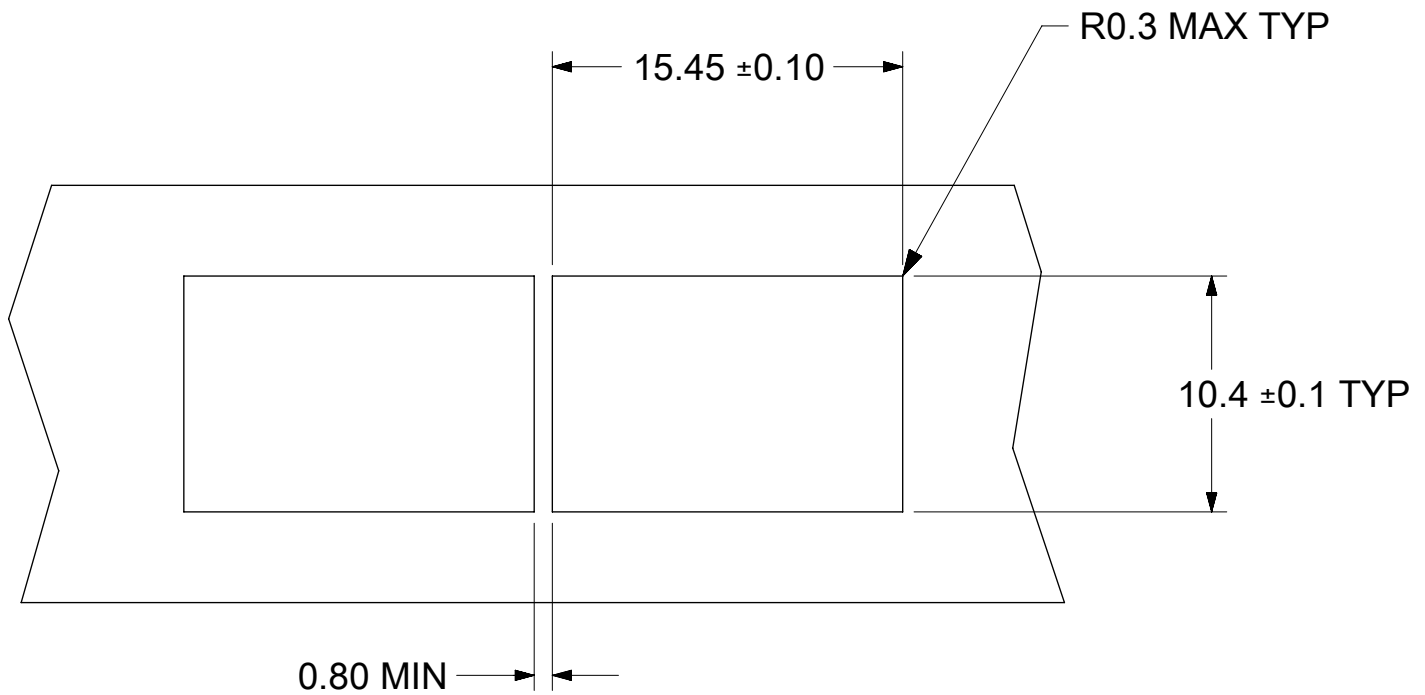
111128122

PSD ASY A

111128122

3 OF 5


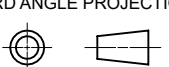
BEZEL AND BOARD POSITION DIMENSIONS FOR SINGLE SIDE MOUNTING (SPRING FINGER)



FUNCTIONAL SYMBOLS	THIS DRAWING CONTAINS INFORMATION THAT IS PROPRIETARY TO MOLEX ELECTRONIC TECHNOLOGIES, LLC AND SHOULD NOT BE USED WITHOUT WRITTEN PERMISSION										
	DIMENSION UNITS	SCALE	CURRENT REV DESC: SEE REVISION TABLE							molex	
$\frac{F}{A} = 0$	mm	3:1	EC NO: 707262 DRWN: SKRISHNAMURT 2022/04/11 CHK'D: TKUMARKC 2022/05/25 APPR: SCHIEN 2022/05/27								
$\frac{F}{C} = 0$	GENERAL TOLERANCES (UNLESS SPECIFIED)									INITIAL REVISION: DRWN: SKRISHNAMURT 2022/04/11 APPR: SCHIEN 2022/05/27	
$\frac{F}{P} = 0$	ANGULAR TOL ± 1.0°		DIVISIONAL SYMBOLS		DOCUMENT NUMBER		DOC TYPE	DOC PART	REVISION		
	4 PLACES	±	3 PLACES ±		111128122		PSD	ASY	A		
	2 PLACES	± 0.13	1 PLACE ± 0.25		MATERIAL NUMBER		CUSTOMER		SHEET NUMBER		
	0 PLACES	±	DRAFT WHERE APPLICABLE MUST REMAIN WITHIN DIMENSIONS		THIRD ANGLE PROJECTION	DRAWING	SERIES	111112	111128122	4 OF 5	

H
G
F
E
D
C
B
A

REV	DATE	DESCRIPTION
A	2022/05/25	INITIAL RELEASE

FUNCTIONAL SYMBOLS $\nabla_A = 0$ $\nabla_C = 0$ $\nabla_P = 0$	THIS DRAWING CONTAINS INFORMATION THAT IS PROPRIETARY TO MOLEX ELECTRONIC TECHNOLOGIES, LLC AND SHOULD NOT BE USED WITHOUT WRITTEN PERMISSION DIMENSION UNITS: mm SCALE: 1:1	CURRENT REV DESC: SEE REVISION TABLE EC NO: 707262 DRWN: SKRISHNAMURT 2022/04/11 CHK'D: TKUMARKC 2022/05/25 APPR: SCHIEN 2022/05/27			
	GENERAL TOLERANCES (UNLESS SPECIFIED) ANGULAR TOL ± 1.0° 4 PLACES ± 3 PLACES ± 2 PLACES ± 0.13 1 PLACE ± 0.25 0 PLACES ±				
DIVISIONAL SYMBOLS DRAFT WHERE APPLICABLE MUST REMAIN WITHIN DIMENSIONS	THIRD ANGLE PROJECTION 	DRAWING: C-SIZE SERIES: 111112	DOCUMENT NUMBER: 111128122 MATERIAL NUMBER: 111128122	DOC TYPE: PSD DOC PART: ASY	REVISION: A SHEET NUMBER: 5 OF 5