

6

5

4

3

2

1

E

D

C

B

A

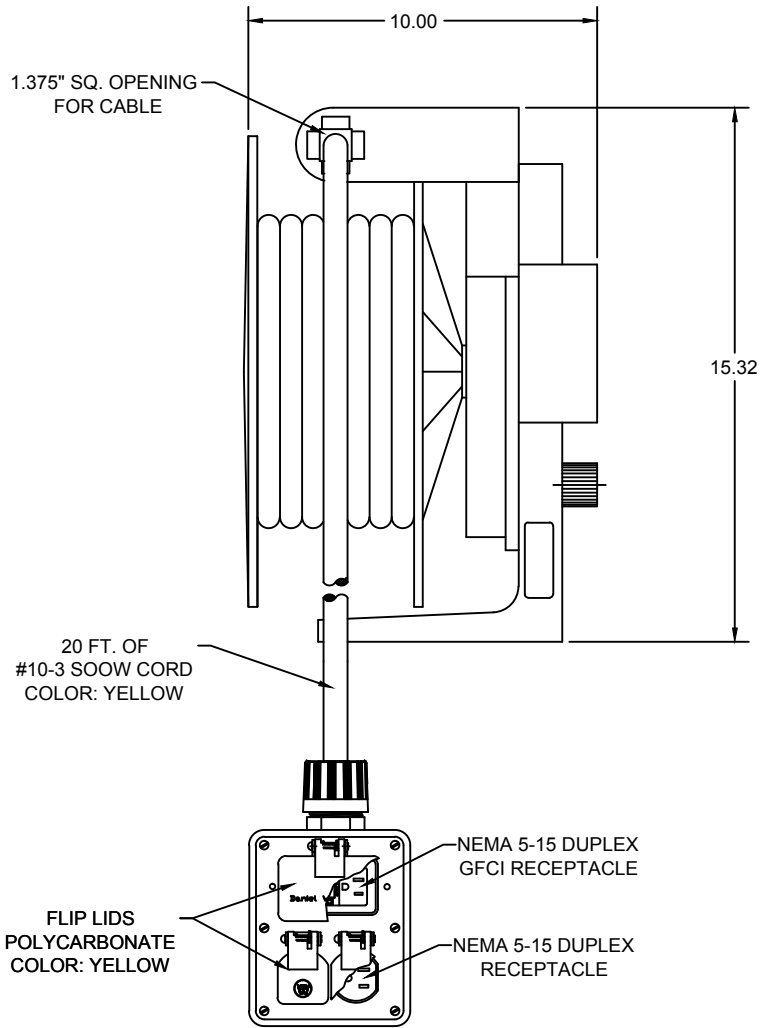
E

D

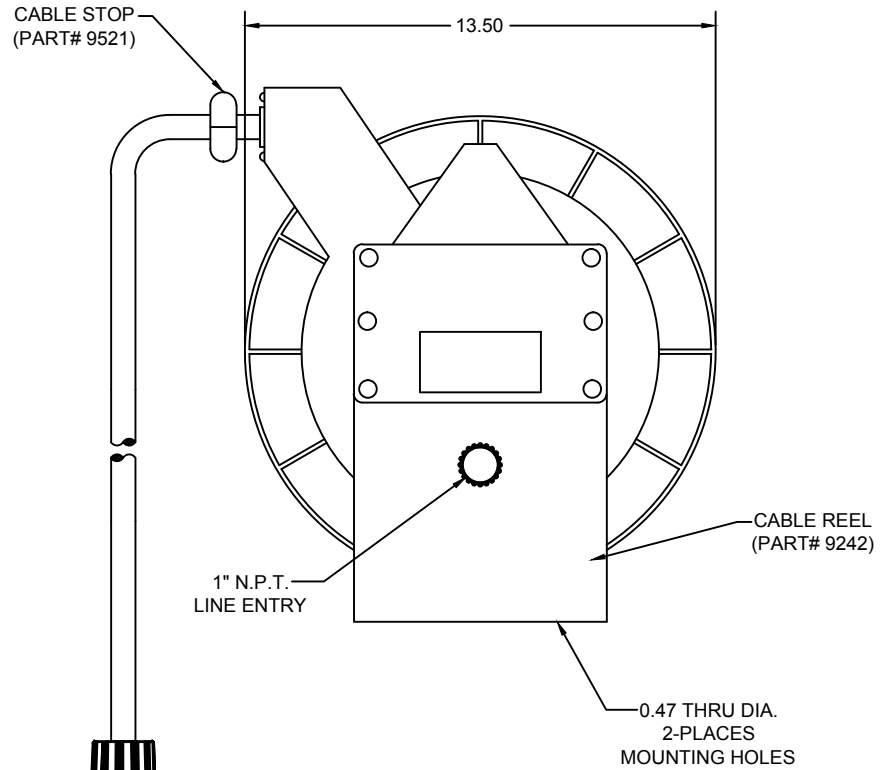
C

B

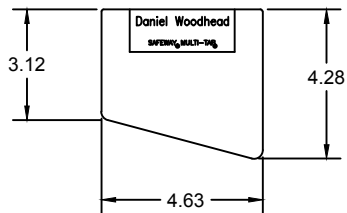
A



FRONT VIEW - OUTLET BOX



SIDE VIEW - OUTLET BOX



BOTTOM VIEW - OUTLET BOX

RELEASE SALES DRAWING EC NO: IPC2014-0072 DRWN: HRUIZ01 2013/06/13 CHKD: HKNEELAN APPR: JFMURPHY 2013/07/23	QUALITY SYMBOLS	GENERAL TOLERANCES (UNLESS SPECIFIED)		DIMENSION STYLE		SCALE	DESIGN UNITS	THIRD ANGLE PROJECTION
	▽=0	mm	INCH	INCH		NTS	INCH	
	▽C=0	4 PLACES	±---	±---	DRAWN BY	DATE	TITLE	
		3 PLACES	±---	±.005	HRUIZ01	2013/06/13	9242 CABLE RELL W/ 20' #10-3 SOOW CORD AND ANGLED OUTLET BOX	
	2 PLACES	±---	±.010	CHECKED BY	DATE			
	1 PLACE	±---	±.020	HKNEELAN	2013/06/13			
	ANGULAR ±1/2°			APPROVED BY	DATE			
	DRAFT WHERE APPLICABLE MUST REMAIN WITHIN DIMENSIONS			JFMURPHY	2013/07/23			
				MATERIAL NO.		DOCUMENT NO.	SHEET NO.	
				130084-0378		SD-130084-009	1 OF 1	
				SIZE	THIS DRAWING CONTAINS INFORMATION THAT IS PROPRIETARY TO MOLEX INCORPORATED AND SHOULD NOT BE USED WITHOUT WRITTEN PERMISSION			
				A				