

SINGLE CABLE EXIT

DOUBLE CABLE EXIT

TRIPLE CABLE EXIT

PART NUMBER	KEY LOCATION	CABLE EXIT	JACKET OD	CORE OD	REF AWG
76821-0101	LEFT	SINGLE	11.10±0.20	9.10±0.20	28
76821-0102	LEFT	SINGLE	9.50±0.20	7.50±0.20	30
76821-0201	LEFT	TRIPLE	7.10±0.20	5.50±0.20	28
76821-0202	LEFT	TRIPLE	6.10±0.20	4.50±0.20	30
76821-0301	LEFT	DOUBLE	8.60±0.20	6.75±0.20	28
X	X	X	X	X	X
X	X	X	X	X	X
X	X	X	X	X	X
X	X	X	X	X	X
X	X	X	X	X	X

NOTES:

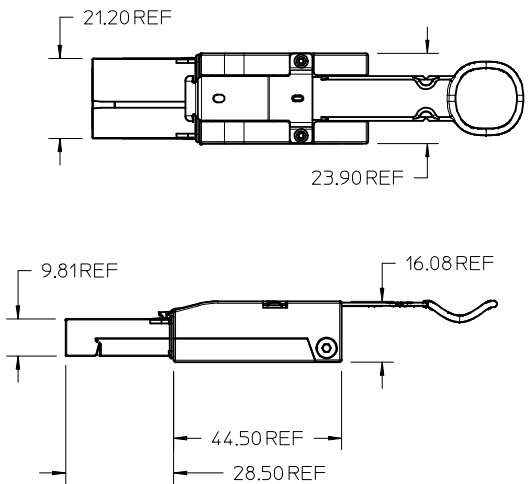
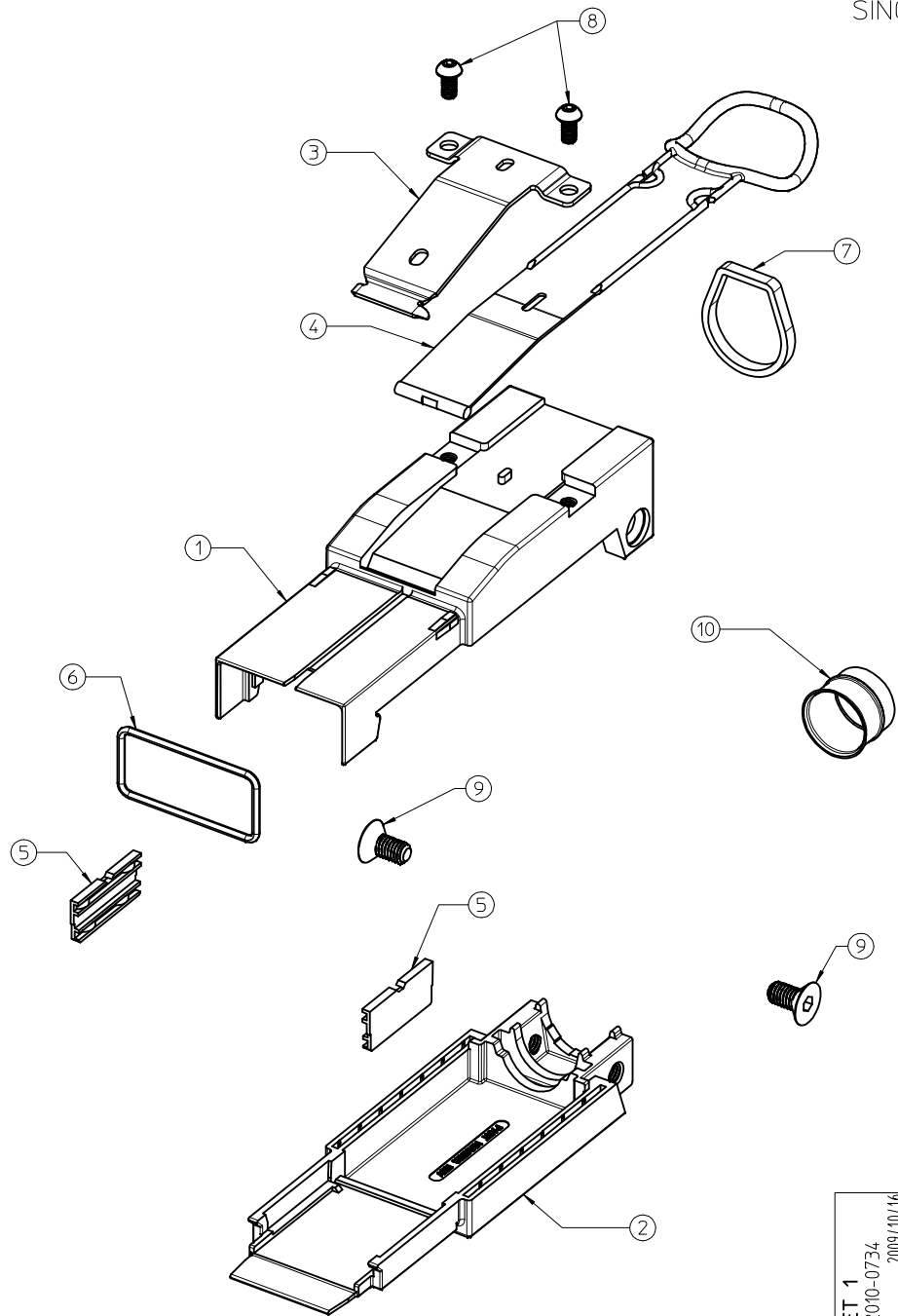
1. MATERIALS

- UPPER BACKSHELL: DIE CAST ALLOY; FINISH: NICKEL PLATED
- LOWER BACKSHELL: DIE CAST ALLOY; FINISH: NICKEL PLATED
- LATCH: STAINLESS STEEL ALLOY
- LATCH PULL: THERMOPLASTIC
- FERRULE: COPPER ALLOY; FINISH: NICKEL PLATED
- PCB HOLDER: THERMOPLASTIC
- SCREWS: STAINLESS STEEL ALLOY

2. PACKAGING SPECIFICATION: PACKAGED PER PK-76821-001

RELEASED EC NO: UCP2010-0734 DRWN: JLONG CHKD: 2009/10/22 APPR: MBANAKIS 2009/10/16 2009/10/22 2009/10/22	QUALITY SYMBOLS ▽=0 ▽=0	GENERAL TOLERANCES (UNLESS SPECIFIED) <table border="1"> <tr> <th></th> <th>mm</th> <th>INCH</th> </tr> <tr> <td>4 PLACES</td> <td>± ---</td> <td>± ---</td> </tr> <tr> <td>3 PLACES</td> <td>± ---</td> <td>± ---</td> </tr> <tr> <td>2 PLACES</td> <td>± 0.13</td> <td>± ---</td> </tr> <tr> <td>1 PLACE</td> <td>± 0.25</td> <td>± ---</td> </tr> </table>		mm	INCH	4 PLACES	± ---	± ---	3 PLACES	± ---	± ---	2 PLACES	± 0.13	± ---	1 PLACE	± 0.25	± ---	DIMENSION STYLE MM ONLY	SCALE 1.5:1	DESIGN UNITS METRIC	THIRD ANGLE PROJECTION
		mm	INCH																		
	4 PLACES	± ---	± ---																		
	3 PLACES	± ---	± ---																		
2 PLACES	± 0.13	± ---																			
1 PLACE	± 0.25	± ---																			
DRAWN BY KLANG	DATE 2/18/09	CHECKED BY DATE	IPASS PLUS HSC PLUG KIT																		
APPROVED BY MBANAKIS	DATE	MATERIAL NO.	MOLEX INCORPORATED	DOCUMENT NO.	SHEET NO.	1 OF 7															
DRAFT WHERE APPLICABLE MUST REMAIN WITHIN DIMENSIONS		SEE CHART	THIS DRAWING CONTAINS INFORMATION THAT IS PROPRIETARY TO MOLEX INCORPORATED AND SHOULD NOT BE USED WITHOUT WRITTEN PERMISSION																		

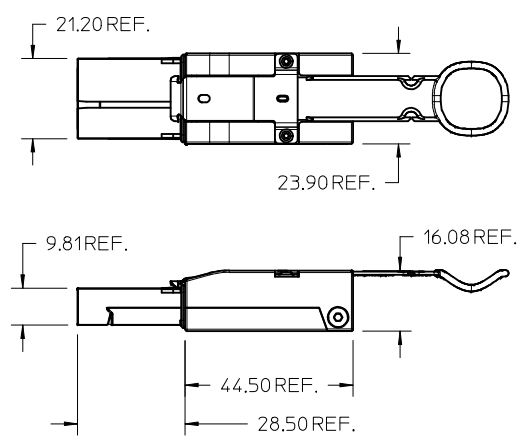
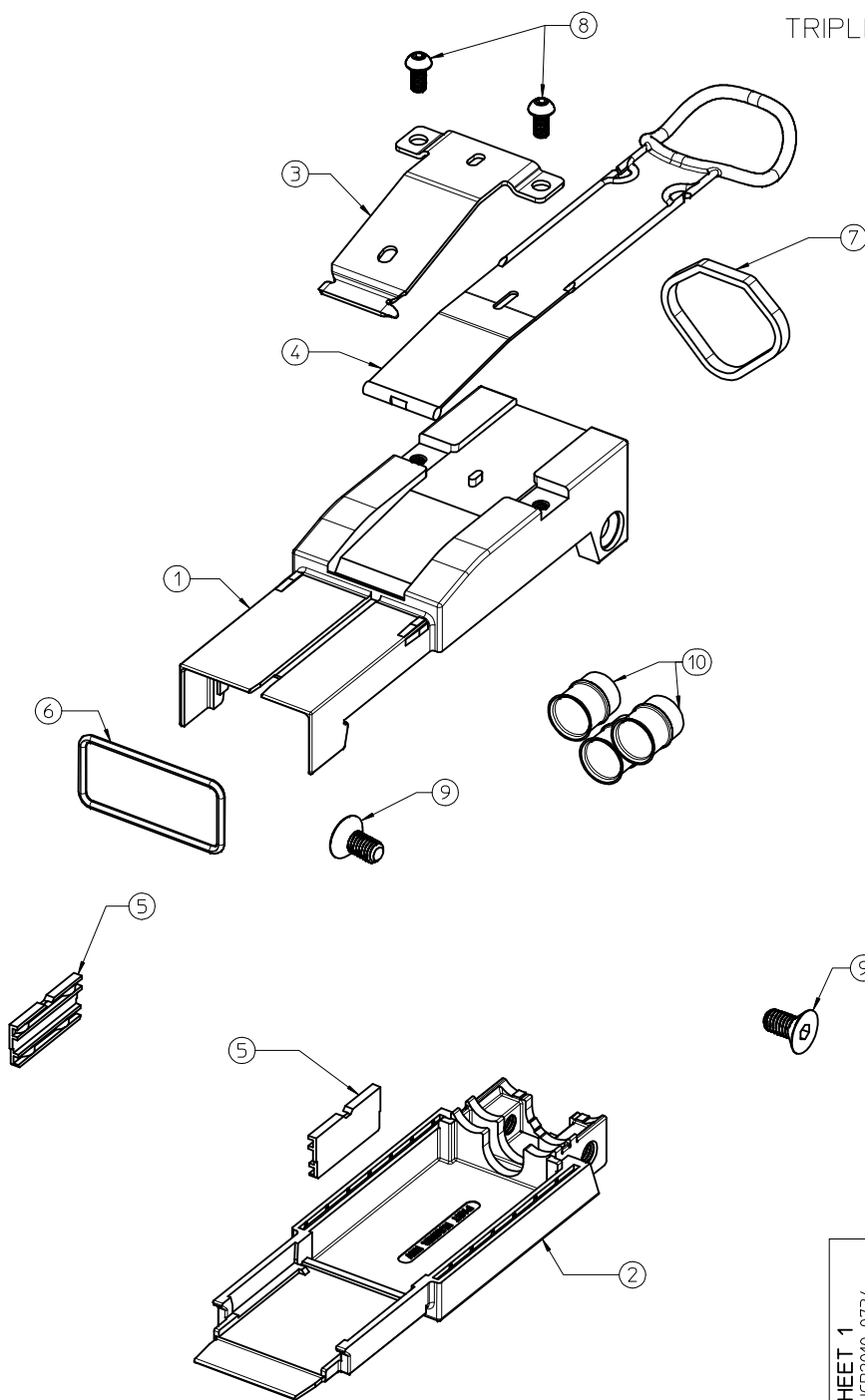
SINGLE CABLE EXIT



ITEM NO.	DESCRIPTION	QTY SUPPLIED
01	UPPER BACK SHELL	1
02	LOWER BACK SHELL	1
03	LATCH	1
04	LATCH PULL	1
05	PCB HOLDER	2
06	EMI GASKET	1
07	LATCH PULL RETAINER	1
08	M2 SCREW	2
09	M3 SCREW	2
10	FERRULE	1

SEE SHEET 1 EC NO: UCP2010-0734 DRWN: JLONG CHKD: MBANAKIS APPR: MBANAKIS	QUALITY SYMBOLS ▽=0 ▽=0	GENERAL TOLERANCES (UNLESS SPECIFIED) <table border="1"> <tr> <td></td> <td>mm</td> <td>INCH</td> </tr> <tr> <td>4 PLACES</td> <td>± .13</td> <td>± .005</td> </tr> <tr> <td>3 PLACES</td> <td>± .13</td> <td>± .005</td> </tr> <tr> <td>2 PLACES</td> <td>± 0.13</td> <td>± .005</td> </tr> <tr> <td>1 PLACE</td> <td>± 0.25</td> <td>± .010</td> </tr> </table> ANGULAR ±1/2°		mm	INCH	4 PLACES	± .13	± .005	3 PLACES	± .13	± .005	2 PLACES	± 0.13	± .005	1 PLACE	± 0.25	± .010	DIMENSION STYLE MM ONLY	SCALE 2:1	DESIGN UNITS METRIC	THIRD ANGLE PROJECTION
		mm	INCH																		
	4 PLACES	± .13	± .005																		
	3 PLACES	± .13	± .005																		
2 PLACES	± 0.13	± .005																			
1 PLACE	± 0.25	± .010																			
DRAWN BY KLANG	DATE 2/18/09	IPASS PLUS HSC PLUG KIT																			
CHECKED BY	DATE																				
APPROVED BY MBANAKIS		DATE	MOLEX INCORPORATED		SHEET NO. 2 OF 7																
MATERIAL NO.		DOCUMENT NO. SD-76821-001																			
DRAFT WHERE APPLICABLE MUST REMAIN WITHIN DIMENSIONS			SEE CHART	THIS DRAWING CONTAINS INFORMATION THAT IS PROPRIETARY TO MOLEX INCORPORATED AND SHOULD NOT BE USED WITHOUT WRITTEN PERMISSION																	

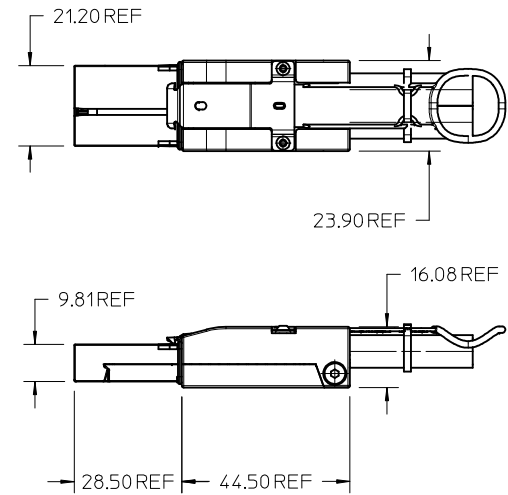
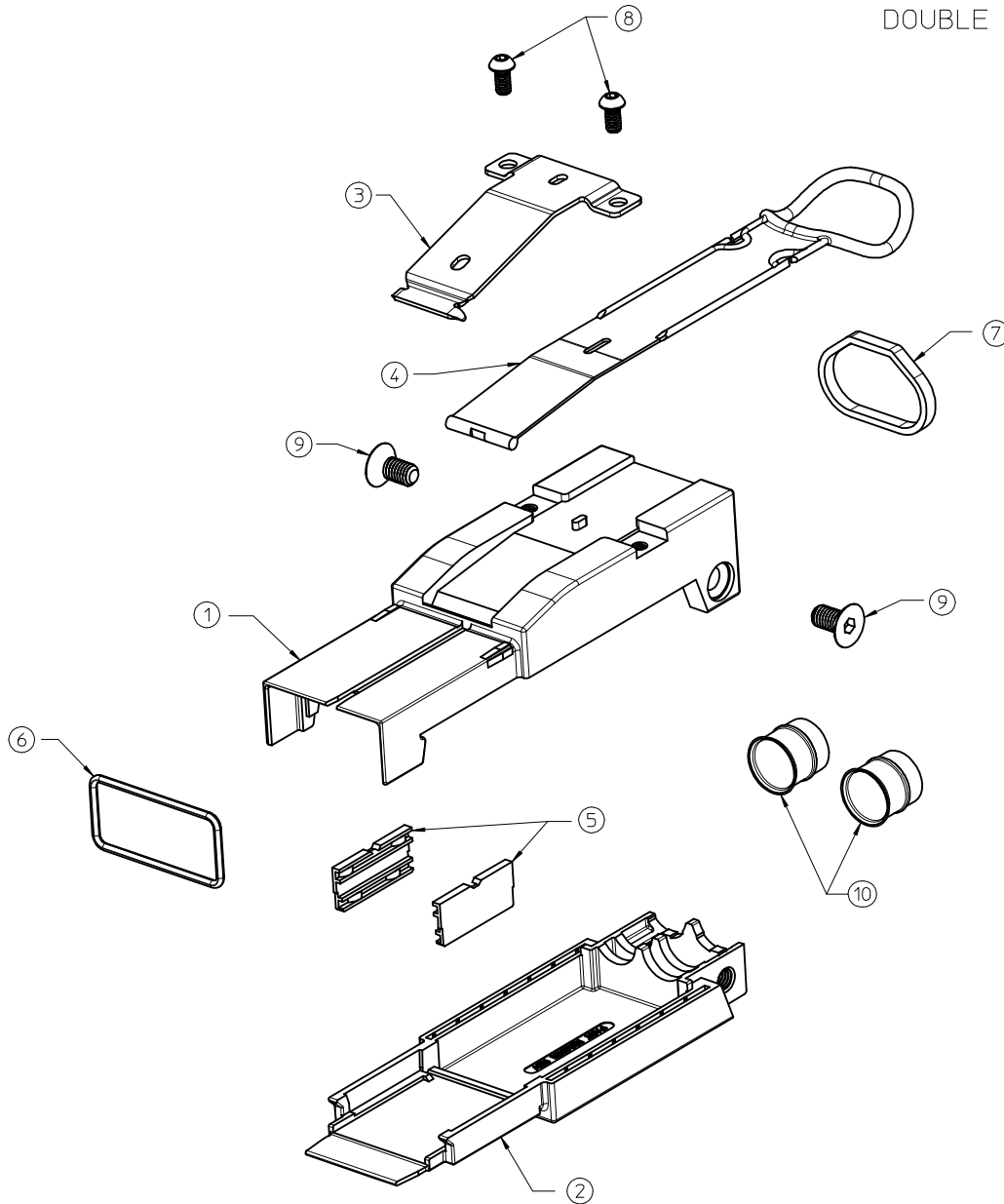
TRIPLE CABLE EXIT



ITEM NO.	DESCRIPTION	QTY SUPPLIED
01	UPPER BACK SHELL	1
02	LOWER BACK SHELL	1
03	LATCH	1
04	LATCH PULL	1
05	PCB HOLDER	2
06	EMI GASKET	1
07	LATCH PULL RETAINER	1
08	M2 SCREW	2
09	M3 SCREW	2
10	FERRULE	3

SEE SHEET 1 EC NO: UCP2010-0734 DRWN: JLONG CHKD: APPR: MBANAKIS 2009/10/16 2009/10/22 2009/10/22	QUALITY SYMBOLS ▽=0 ▽=0	GENERAL TOLERANCES (UNLESS SPECIFIED) <table border="1"> <tr> <td></td> <td>mm</td> <td>INCH</td> </tr> <tr> <td>4 PLACES</td> <td>± ---</td> <td>± ---</td> </tr> <tr> <td>3 PLACES</td> <td>± ---</td> <td>± ---</td> </tr> <tr> <td>2 PLACES</td> <td>± 0.13</td> <td>± ---</td> </tr> <tr> <td>1 PLACE</td> <td>± 0.25</td> <td>± ---</td> </tr> </table> ANGULAR ±1/2°		mm	INCH	4 PLACES	± ---	± ---	3 PLACES	± ---	± ---	2 PLACES	± 0.13	± ---	1 PLACE	± 0.25	± ---	DIMENSION STYLE MM ONLY DRAWN BY: KLANG DATE: 2/18/09 CHECKED BY: DATE:	SCALE: 2:1 DESIGN UNITS: METRIC THIRD ANGLE PROJECTION	TITLE: IPASS PLUS HSC PLUG KIT
		mm	INCH																	
	4 PLACES	± ---	± ---																	
	3 PLACES	± ---	± ---																	
2 PLACES	± 0.13	± ---																		
1 PLACE	± 0.25	± ---																		
APPROVED BY: MBANAKIS DATE:	MOLEX INCORPORATED	MATERIAL NO.	DOCUMENT NO. SD-76821-001	SHEET NO. 3 OF 7																
DRAFT WHERE APPLICABLE MUST REMAIN WITHIN DIMENSIONS	SEE CHART	THIS DRAWING CONTAINS INFORMATION THAT IS PROPRIETARY TO MOLEX INCORPORATED AND SHOULD NOT BE USED WITHOUT WRITTEN PERMISSION																		
REV: A	DESCRIPTION:	SIZE: C																		

DOUBLE CABLE EXIT



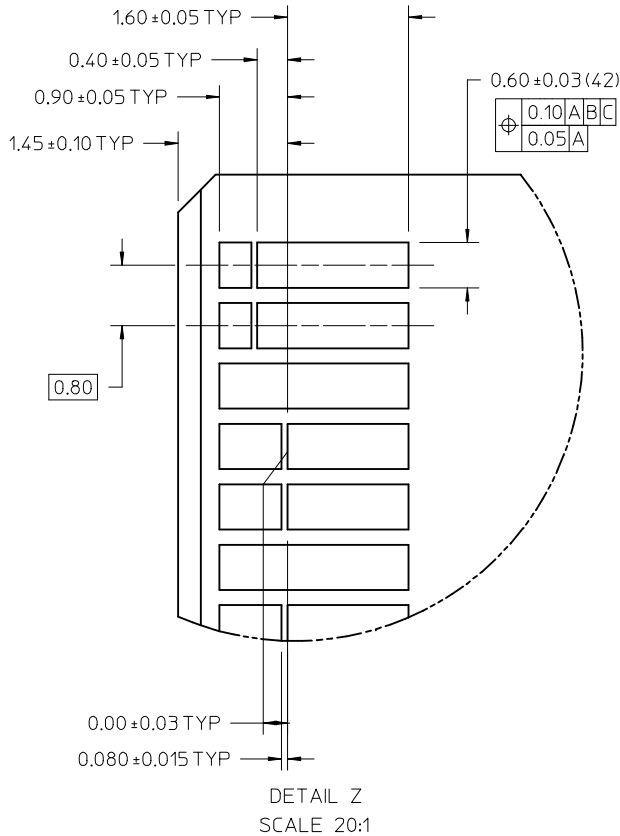
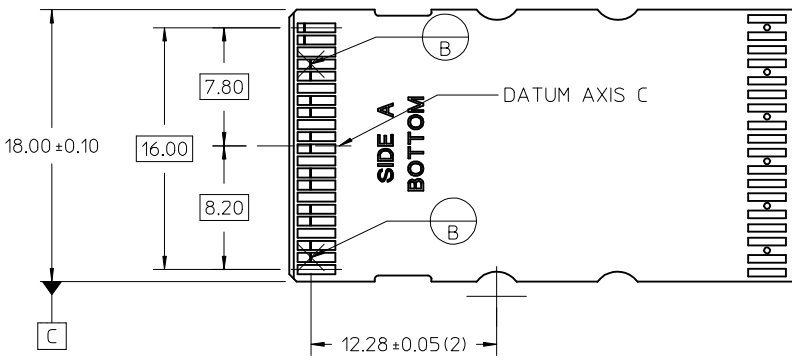
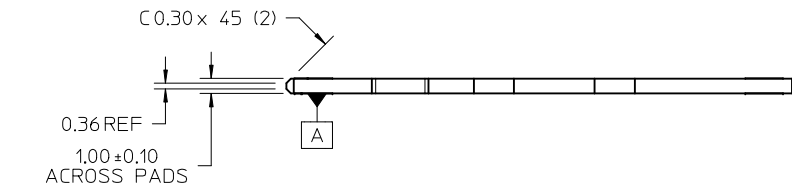
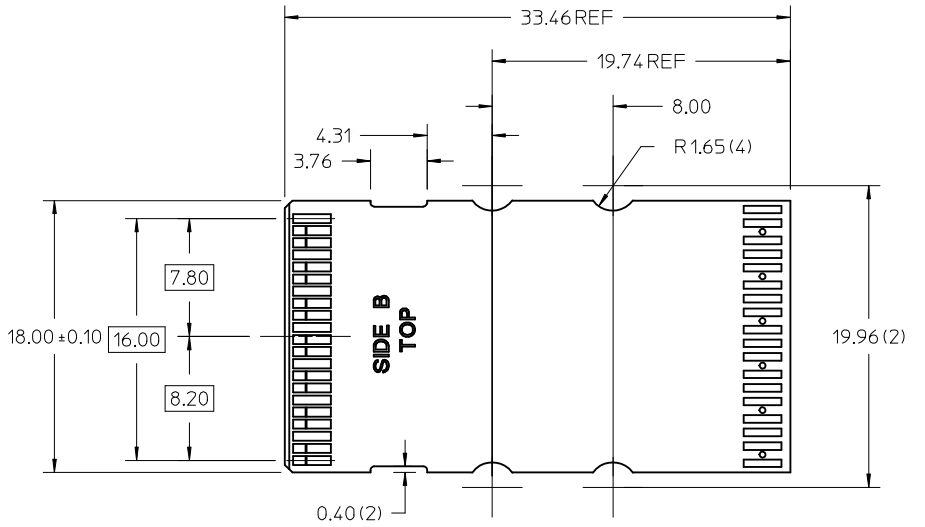
ITEM NO.	DESCRIPTION	QTY SUPPLIED
01	UPPER BACK SHELL	1
02	LOWER BACK SHELL	1
03	LATCH	1
04	LATCH PULL	1
05	PCB HOLDER	2
06	EMI GASKET	1
07	LATCH PULL RETAINER	1
08	M2 SCREW	2
09	M3 SCREW	2
10	FERRULE	3

SEE SHEET 1 EC NO: UCP2010-0734 DRWN: JLONG CHKD: MBANAKIS APPR: MBANAKIS 2009/10/16 2009/10/22 2009/10/22	QUALITY SYMBOLS	GENERAL TOLERANCES (UNLESS SPECIFIED)	DIMENSION STYLE	SCALE	DESIGN UNITS	THIRD ANGLE PROJECTION
	▽=0 ▽=0	mm INCH 4 PLACES ± --- ± --- 3 PLACES ± --- ± --- 2 PLACES ± 0.13 ± --- 1 PLACE ± 0.25 ± --- ANGULAR ± 1/2°	MM ONLY	2:1	METRIC	
	DESCRIPTION	DRAWN BY	DATE	TITLE		
	REV	KLANG	2/18/09	IPASS PLUS HSC PLUG KIT		
	APPROVED BY	DATE	MOLEX INCORPORATED			
	MBANAKIS		SD-76821-001			
	MATERIAL NO.	DOCUMENT NO.	SHEET NO.			
			4 OF 7			
	DRAFT WHERE APPLICABLE MUST REMAIN WITHIN DIMENSIONS		THIS DRAWING CONTAINS INFORMATION THAT IS PROPRIETARY TO MOLEX INCORPORATED AND SHOULD NOT BE USED WITHOUT WRITTEN PERMISSION			

LOWER PCB LAYOUT

NOTES:

- 0.03 MINIMUM KEEP OUT FOR SOLDER MASK AROUND ALL PADS
- DATUM 'B' TARGETS ARE DEFINED BY THE RESPECTIVE PAD CENTERLINES AND THE LEADING EDGE OF THE TARGET PADS

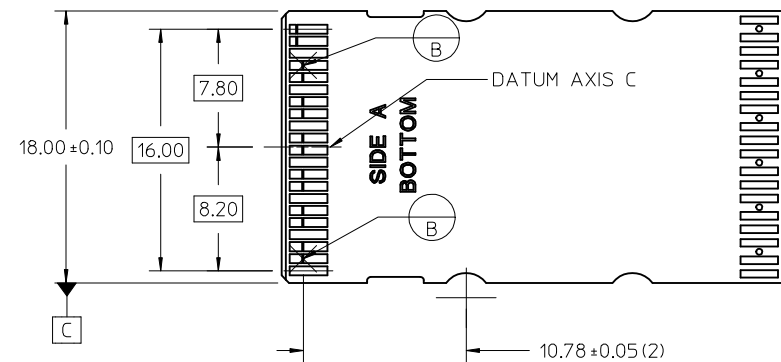
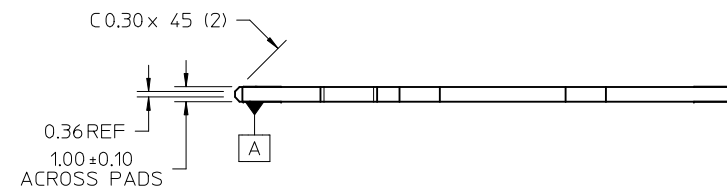
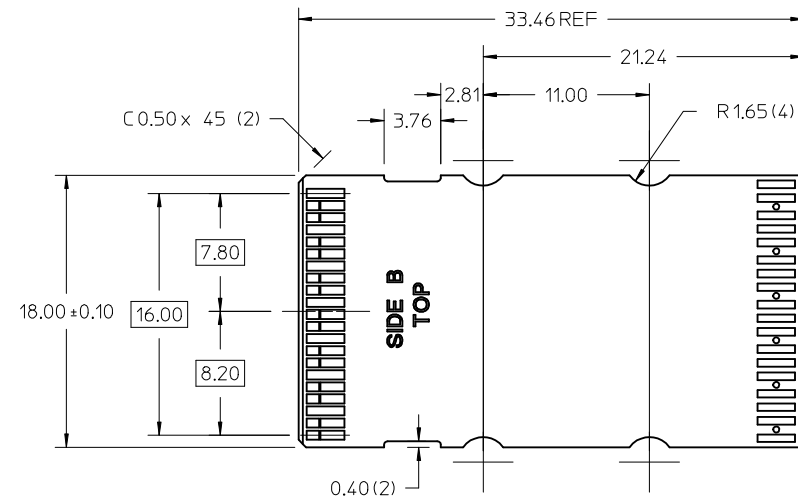
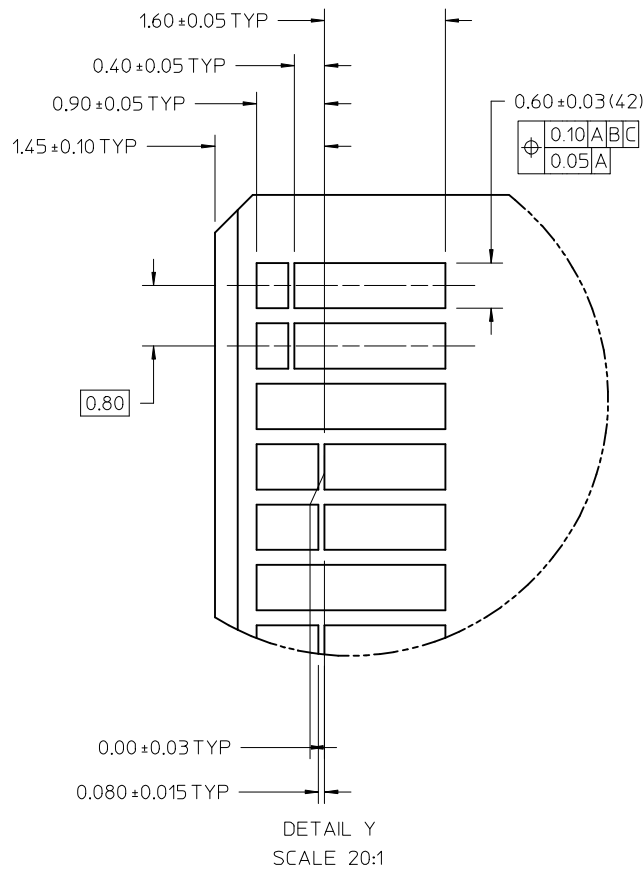


SEE SHEET 1 EC NO: UCP2010-0734 DRWN: JLONG CHKD: 2009/10/22 APPR: MBANAKIS	REVISION A	DESCRIPTION 2009/10/16 2009/10/22	QUALITY SYMBOLS ▽=0 ▽=0	GENERAL TOLERANCES (UNLESS SPECIFIED)		DIMENSION STYLE MM ONLY		SCALE 4:1	DESIGN UNITS METRIC	THIRD ANGLE PROJECTION		
				4 PLACES ± --- ± ---	3 PLACES ± --- ± ---	2 PLACES ± 0.13 ± ---	1 PLACE ± 0.25 ± ---	mm	INCH	DRAWN BY KLANG	DATE 2/18/09	TITLE IPASS PLUS HSC PLUG KIT
				ANGULAR ± 1/2°		APPROVED BY MBANAKIS		DATE		MOLEX INCORPORATED		SHEET NO. 5 OF 7
				DRAFT WHERE APPLICABLE MUST REMAIN WITHIN DIMENSIONS		SEE CHART		DOCUMENT NO. SD-76821-001				
THIS DRAWING CONTAINS INFORMATION THAT IS PROPRIETARY TO MOLEX INCORPORATED AND SHOULD NOT BE USED WITHOUT WRITTEN PERMISSION												

UPPER PCB LAYOUT

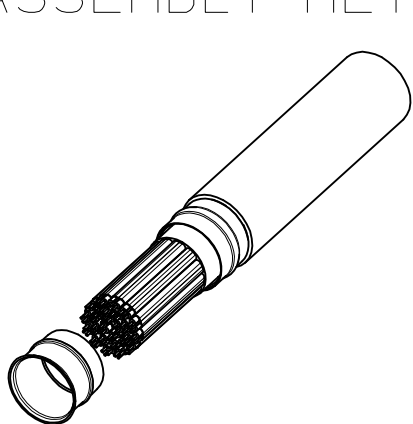
NOTES:

- 0.03 MINIMUM KEEP OUT FOR SOLDER MASK AROUND ALL PADS
- DATUM 'B' TARGETS ARE DEFINED BY THE RESPECTIVE PAD CENTERLINES AND THE LEADING EDGE OF THE TARGET PADS

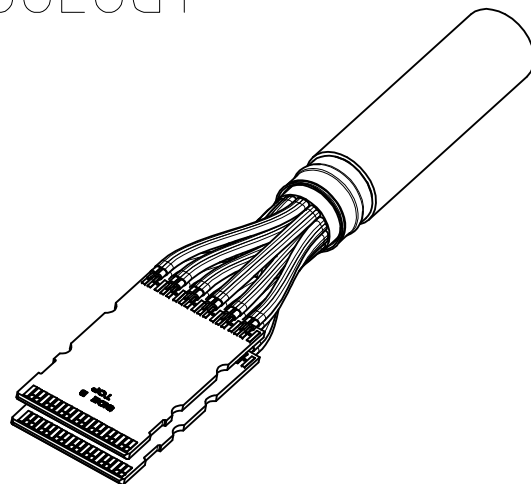


SEE SHEET 1 EC NO: UCP2010-0734 DRWN: JLONG CHKD: MBANAKIS APPR: MBANAKIS 2009/10/16 2009/10/22 2009/10/22	QUALITY SYMBOLS	GENERAL TOLERANCES (UNLESS SPECIFIED)	DIMENSION STYLE	SCALE	DESIGN UNITS	THIRD ANGLE PROJECTION
	▽=0 ▽=0	mm INCH 4 PLACES ± --- ± --- 3 PLACES ± --- ± --- 2 PLACES ± 0.13 ± --- 1 PLACE ± 0.25 ± --- ANGULAR ± 1/2°	MM ONLY	2:1	METRIC	DRAWN BY: KLANG DATE: 2/18/09 CHECKED BY: _____ DATE: _____ APPROVED BY: MBANAKIS DATE: _____ MATERIAL NO. _____ DOCUMENT NO. _____
		DRAFT WHERE APPLICABLE MUST REMAIN WITHIN DIMENSIONS	SEE CHART	TITLE: IPASS PLUS HSC PLUG KIT MOLEX INCORPORATED SD-76821-001		
				SHEET NO. 6 OF 7 THIS DRAWING CONTAINS INFORMATION THAT IS PROPRIETARY TO MOLEX INCORPORATED AND SHOULD NOT BE USED WITHOUT WRITTEN PERMISSION		

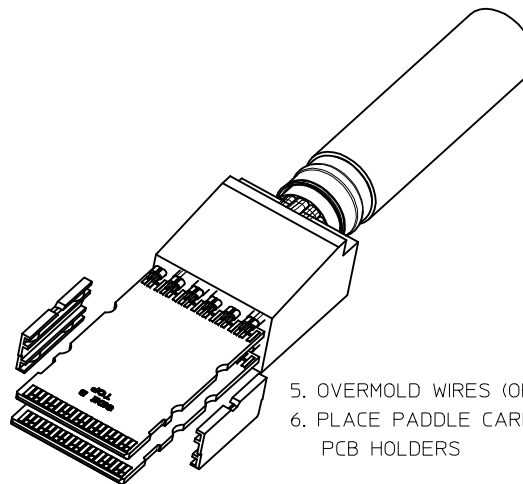
ASSEMBLY METHODOLOGY



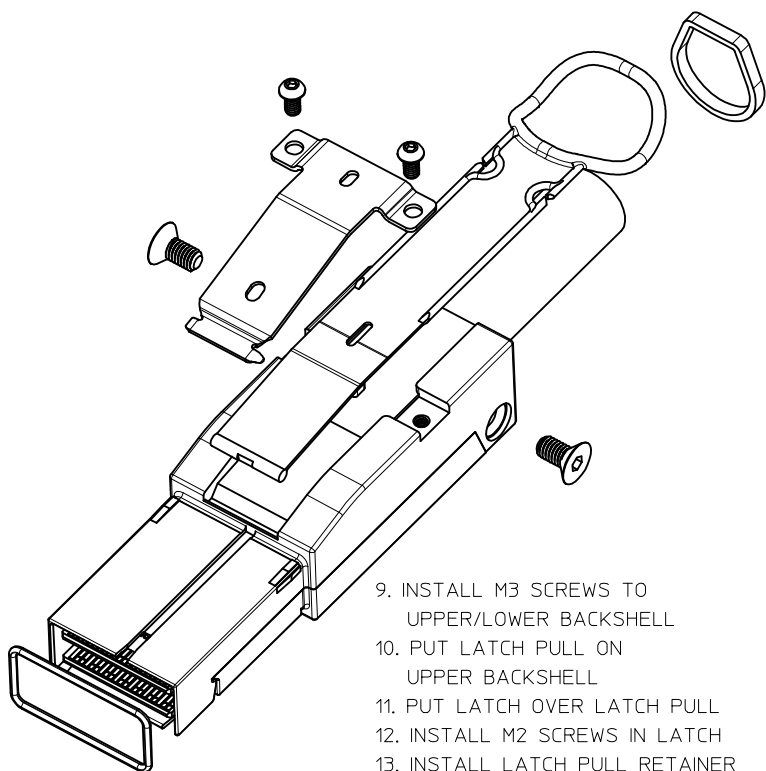
1. STRIP CABLE (NOT SUPPLIED)
2. SLIDE FERRULE OVER WIRES AND UNDER BRAID (FLANGE OUT)
3. WRAP BRAID WITH COPPER TAPE



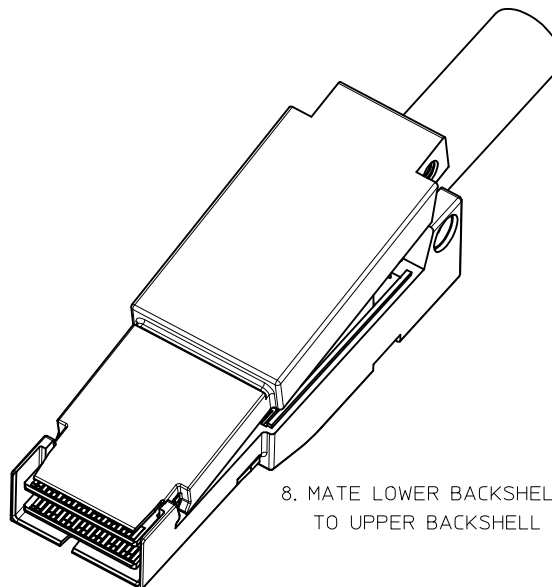
4. ATTACH WIRES TO PADDLE CARDS (NOT SUPPLIED)



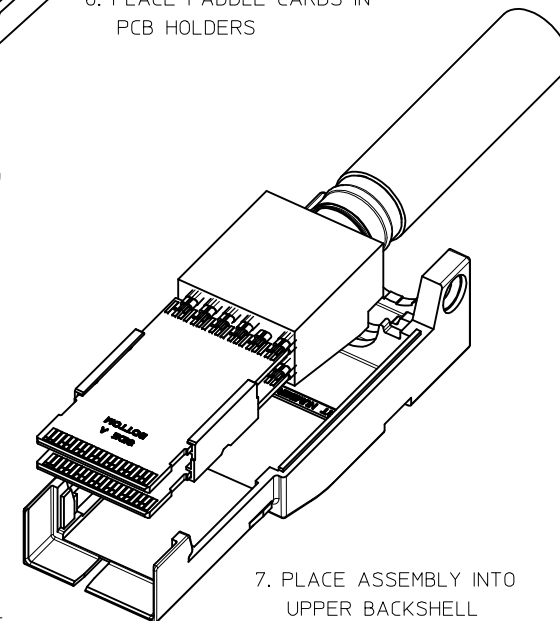
5. OVERMOLD WIRES (OPTIONAL)
6. PLACE PADDLE CARDS IN PCB HOLDERS



9. INSTALL M3 SCREWS TO UPPER/LOWER BACKSHELL
10. PUT LATCH PULL ON UPPER BACKSHELL
11. PUT LATCH OVER LATCH PULL
12. INSTALL M2 SCREWS IN LATCH
13. INSTALL LATCH PULL RETAINER
14. INSTALL EMI GASKET



8. MATE LOWER BACKSHELL TO UPPER BACKSHELL



7. PLACE ASSEMBLY INTO UPPER BACKSHELL

SEE SHEET 1 EC NO: UCP2010-0734 DRWN: JLONG CHKD: MBANAKIS APPR: MBANAKIS	2009/10/16 2009/10/22 2009/10/22	QUALITY SYMBOLS ▽=0 ▽=0	GENERAL TOLERANCES (UNLESS SPECIFIED) mm INCH 4 PLACES ± --- ± --- 3 PLACES ± --- ± --- 2 PLACES ± 0.13 ± --- 1 PLACE ± 0.25 ± --- ANGULAR ± 1/2°	DIMENSION STYLE MM ONLY DRAWN BY: KLANG DATE: 2/18/09 CHECKED BY: _____ DATE: _____ APPROVED BY: MBANAKIS DATE: _____ MATERIAL NO.	SCALE 2:1 TITLE IPASS PLUS HSC PLUG KIT DESIGN UNITS METRIC THIRD ANGLE PROJECTION	ITEM NO. _____ DESCRIPTION MOLEX INCORPORATED DOCUMENT NO. SD-76821-001 SHEET NO. 7 OF 7	
	DRAFT WHERE APPLICABLE MUST REMAIN WITHIN DIMENSIONS	SEE CHART	THIS DRAWING CONTAINS INFORMATION THAT IS PROPRIETARY TO MOLEX INCORPORATED AND SHOULD NOT BE USED WITHOUT WRITTEN PERMISSION				
	A	REV	7	6	5	4	3
	12 11 10 9 8 7 6 5 4 3 2 1						