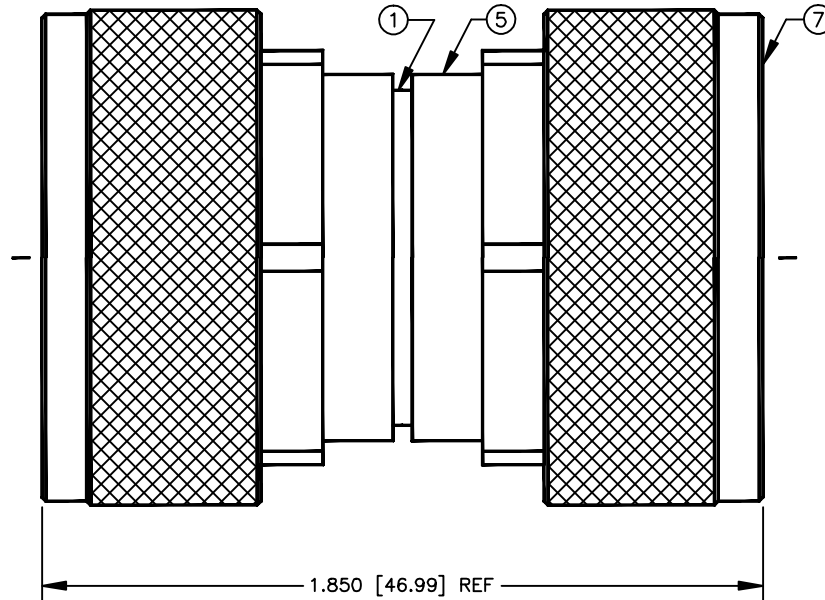
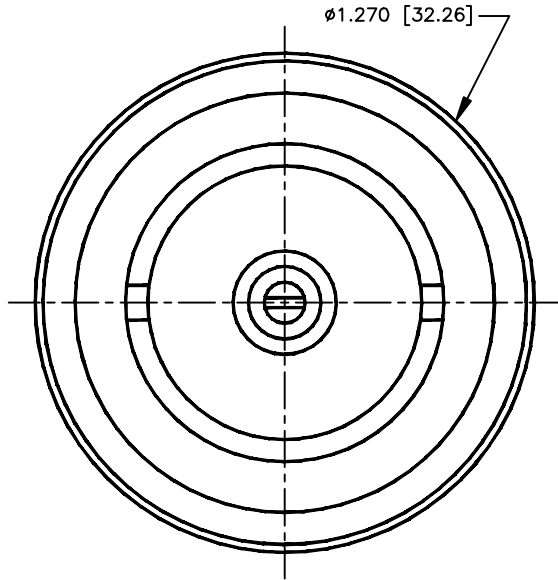


# SPECIFICATION CONTROL DRAWING

THIS DRAWING CONTAINS INFORMATION PROPRIETARY TO RF INDUSTRIES, LTD. ANY UNAUTHORIZED USE OF THIS DRAWING IS EXPRESSLY PROHIBITED. ANY VIOLATION IS PUNISHABLE UNDER U.S. COPYRIGHT LAWS.

REV	DESCRIPTION	DWN	DATE	APPROVED
A	ENGINEERING RELEASE	KMM	2/27/97	R. RICE
B	SEPARATE INTO PARTS DRAWINGS	CZS	6/3/97	R. RICE

ALL DIMENSIONS ARE REFERENCE ONLY



## SPECIFICATIONS:

IMPEDANCE: 50 OHMS  
 FREQUENCY RANGE: DC-7.5 GHz  
 VSWR MAX: <math><1.10:1</math> @ DC-7.5 GHz  
 INSERTION LOSS:  $-0.01 \text{ dB } \sqrt{\text{FREQUENCY GHz}}$   
 3rd ORDER IM  $-d_{Bc}$ :  $>-150 \text{ dBc}$

DIMENSIONS ARE IN INCHES AND [MILLIMETERS]

UNLESS OTHERWISE NOTED TOLERANCES ARE:

DECIMALS DIAMETER

**RF connectors**  
 DIVISION OF RF INDUSTRIES, LTD.

7610 MIRAMAR RD  
 SAN DIEGO, CA 92126  
 (619)549-6340  
 (619)549-6345 FAX

## RFD-1650-2

7-16 DIN MALE TO 7-16 DIN MALE

ITEM	DESCRIPTION	PART NUMBER	QTY	MATERIAL	FINISH
7	SHELL	012-16M0001BE	2	BRASS	SILVER
6	O RING	GSO-211	2	S.I. RUBBER	RED
5	GROUND RING	014-16M0001BE	2	BRASS	SILVER
4	DIELECTRIC	010-16X0001TX	2	PTFE	NONE
3	CONTACT SHAFT	013-16X0004BE	1	BRASS	SILVER
2	PIN	009-16M0001BE	2	BRASS	SILVER
1	BODY	001-16X0001BE	1	BRASS	SILVER

DRAWN C. ZUNIGA	6/3/97
CHECKED	
ORJ DRAWN K. MAXWELL	2/27/97
APPROVALS	DATE

SIZE A	CABLE GROUP N/A	DWG NO. 8696	REV B
SCALE: 2 : 1	CAD FILE 13ARC B	SHEET 1 OF 1	