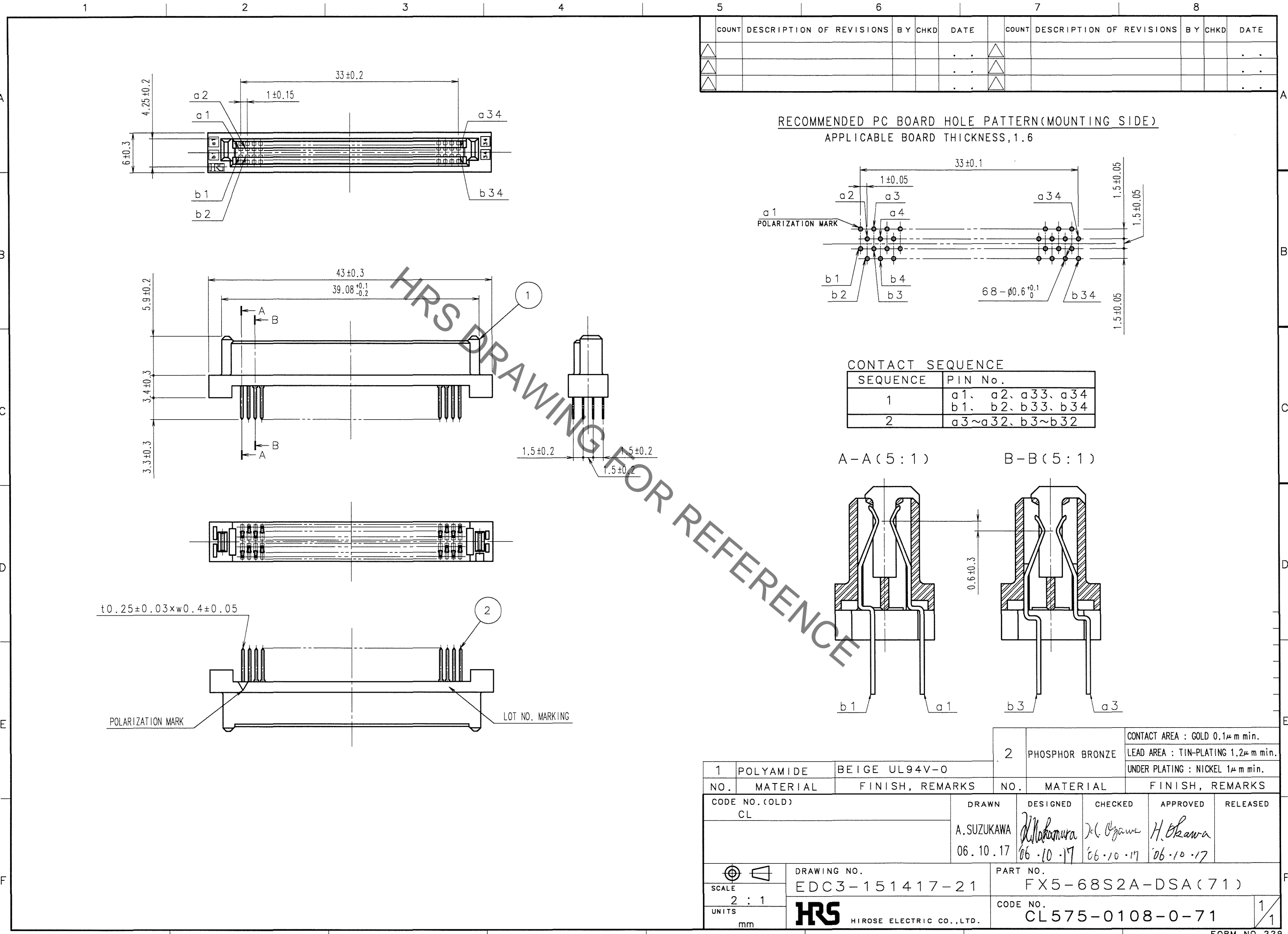
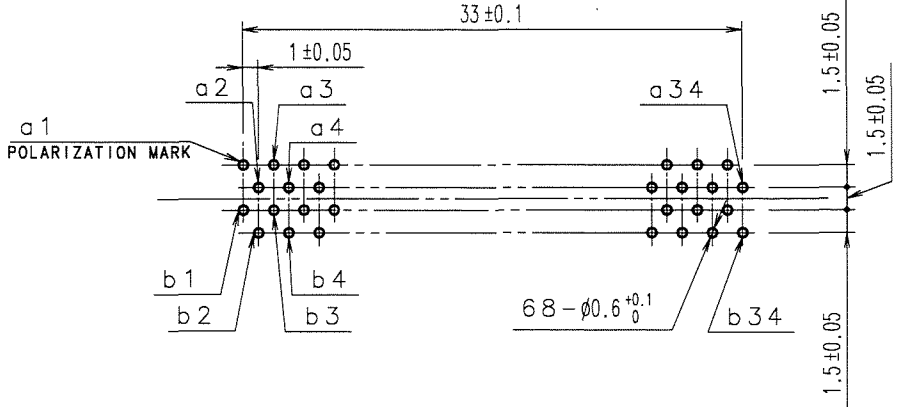


May.1.2023 Copyright 2023 HIROSE ELECTRIC CO., LTD. All Rights Reserved.
In case of consideration for using Automotive equipment / device which demand high reliability, kindly contact our sales window correspondents.



COUNT	DESCRIPTION OF REVISIONS	BY	CHKD	DATE	COUNT	DESCRIPTION OF REVISIONS	BY	CHKD	DATE
△					△				
△					△				
△					△				

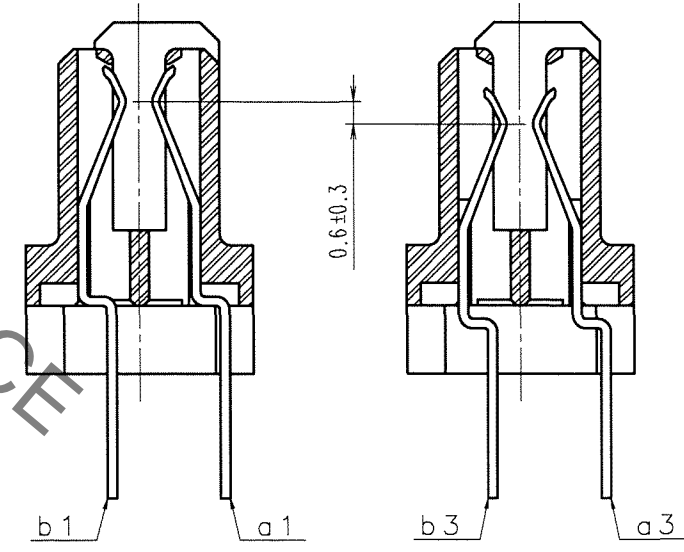
RECOMMENDED PC BOARD HOLE PATTERN(MOUNTING SIDE)
APPLICABLE BOARD THICKNESS,1.6



CONTACT SEQUENCE

SEQUENCE	PIN No.
1	a1, a2, a33, a34 b1, b2, b33, b34
2	a3~a32, b3~b32

A-A (5:1) B-B (5:1)



1	POLYAMIDE	BEIGE UL94V-0	2	PHOSPHOR BRONZE	CONTACT AREA : GOLD 0.1μm min. LEAD AREA : TIN-PLATING 1.2μm min. UNDER PLATING : NICKEL 1μm min.
NO.	MATERIAL	FINISH, REMARKS	NO.	MATERIAL	FINISH, REMARKS
CODE NO. (OLD) CL			DRAWN A.SUZUKAWA 06.10.17	DESIGNED <i>Makamura</i> 06.10.17	CHECKED <i>K. Ogawa</i> 06.10.17
			APPROVED <i>H. Okawa</i> 06.10.17	RELEASED	
SCALE 2 : 1	DRAWING NO. EDC3-151417-21	PART NO. FX5-68S2A-DSA(71)	CODE NO. CL575-0108-0-71		
UNITS mm	HRS HIROSE ELECTRIC CO.,LTD.				1/1

TO
PCK