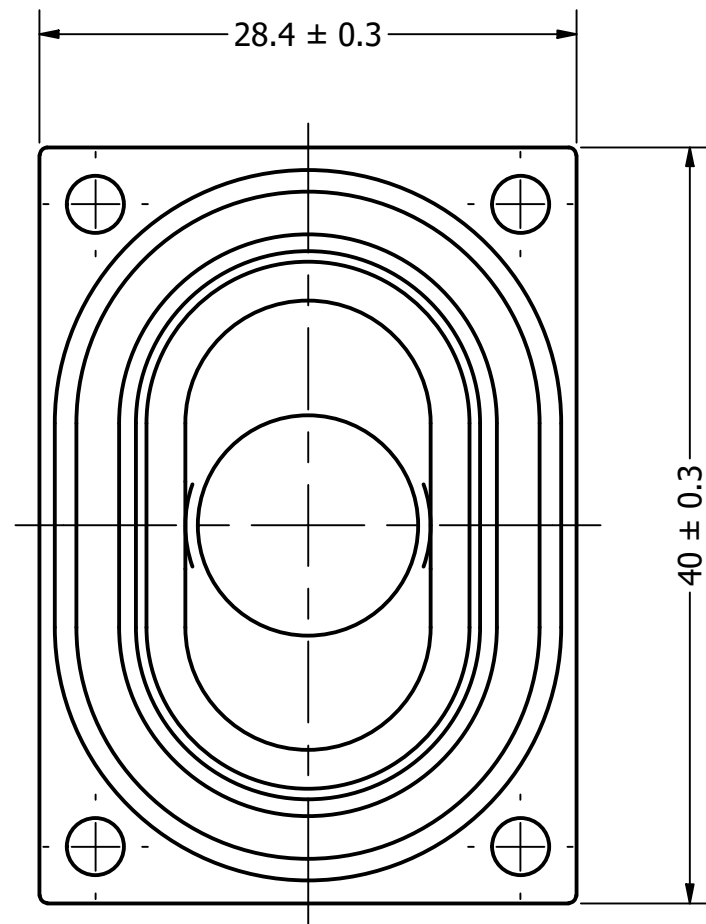
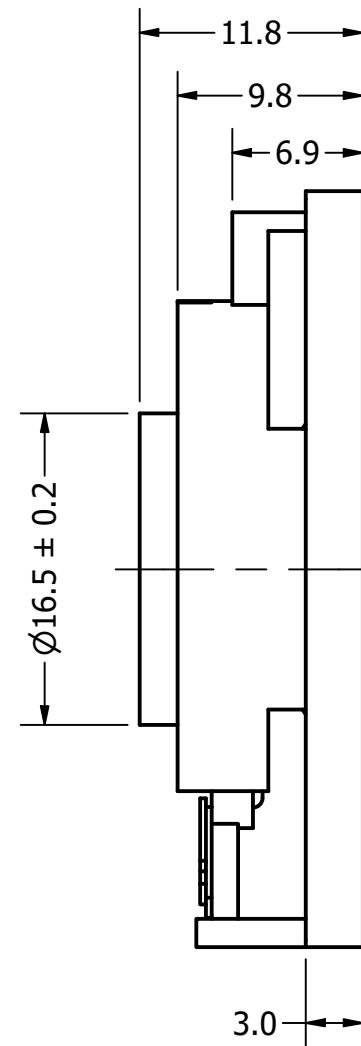


Part Number:	SW400704-1	
DRAWN	CJ	3/23/2017
CHECKED	P.D.	10/2/2017
Description:	APPROVED	10/2/2017
	C.E.	
This document contains data proprietary to DB Unlimited. Any use or reproduction, in any form, without prior written permission of DB Unlimited is prohibited. All terms and conditions can be found at www.dbunlimitedco.com		

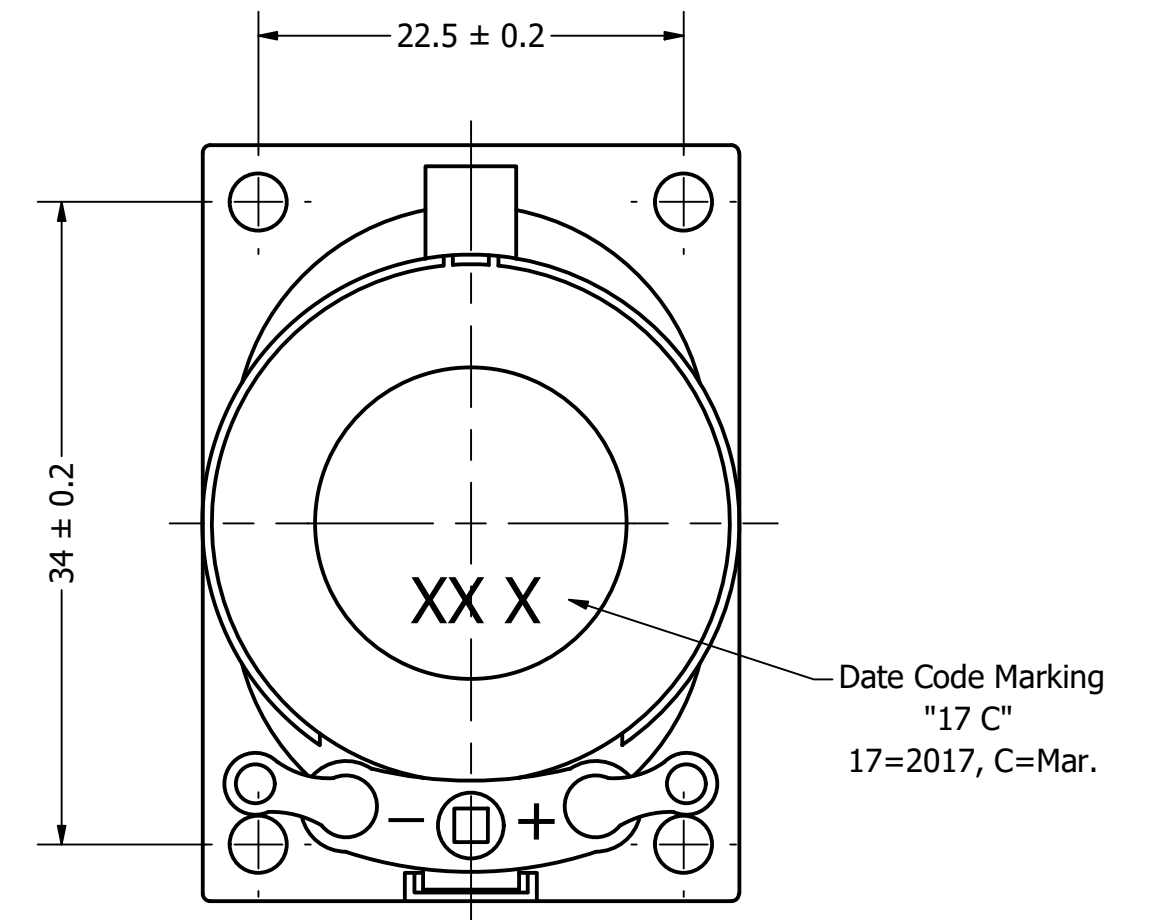
Top View



Side View



Bottom View



Items	Specifications	Conditions
Sound Pressure Level	94	dB (@ 10cm), Avg.
Resonant Frequency	750	Hz
Frequency Range	750 ~ 10,000	Hz
Nominal Power	2	W
Max. Power	2.5	W
Impedance	4	Ω
Cone Material	PET	
Mount Type	Frame Mount	
IP Rating	IP67	
Storage Temperature	-20 ~ +55	°C
Operating Temperature	-20 ~ +55	°C
Weight	12.56	g

REVISION HISTORY			
REV	DESCRIPTION	DATE	APPROVED
	Released from Engineering	10/2/2017	C.E.
1	Update markings	2/28/2018	C.E.
2	Updated side and bottom view	6/17/2019	C.E.

NOTES	
1)	All dimensions are in mm unless otherwise noted
2)	All tolerances are ± 0.5 mm unless otherwise noted
3)	All parts meet RoHS
4)	Subject to change or redrawn without notice