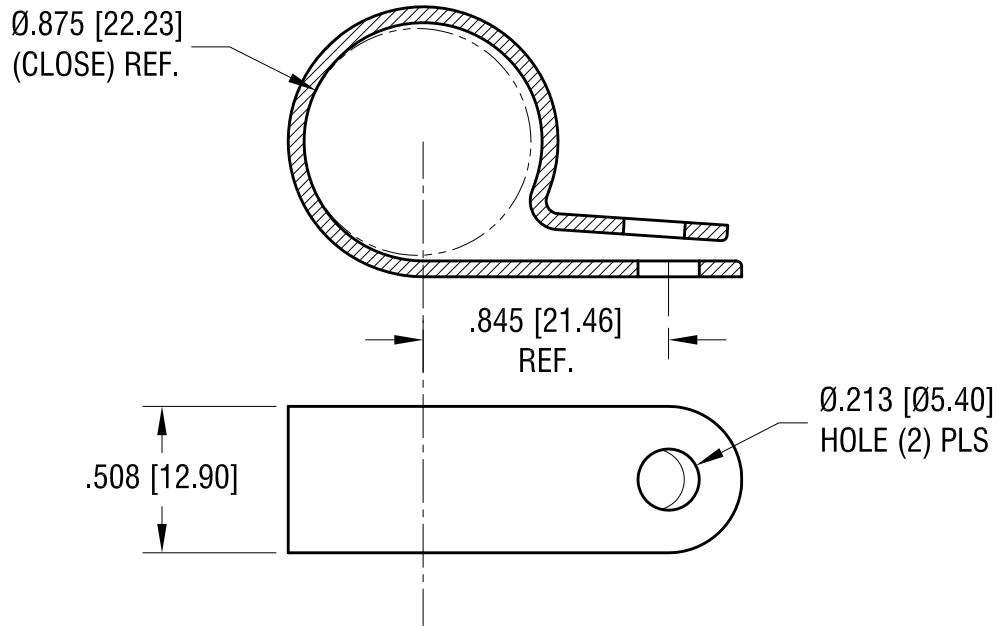
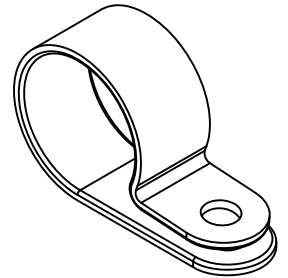


THIS DOCUMENT IS THE PROPERTY OF  
KEYSTONE ELECTRONICS CORP. AND  
SHALL NOT BE REPRODUCED, DISTRIBUTED  
OR USED AS A BASIS FOR MANUFACTURE  
WITHOUT PRIOR WRITTEN PERMISSION  
FROM KEYSTONE ELECTRONICS CORP.

ACTUAL SIZE



**KEYSTONE ELECTRONICS CORP.**

www.keyelco.com • NEW HYDE PARK NY 11040 • Tel (516)328-7500

PART NAME		NYLON CABLE CLAMP	
MATERIAL		.055 [1.40] TH'K NYLON 6/6	
FINISH		DRN BY	DATE
NONE		BOONE	11.02.06
		APP'D	SCALE
		RH	1.5X
TOLERANCES	INCH [MM]	CODE	DWG NO.
DECIMAL	± .015 [± 0.38]	C	7637
ANGULAR	± 1°		
UNLESS OTHERWISE SPECIFIED			

11.16.21	CHANGE AS PER ECN 21-134	A
DATE	DESCRIPTION	REV.