



**KSZ8765CLX-EVAL**  
**Board User's Guide**  
**(KSZ8765CLX+KSZ9031RNX)**

KSZ8765CLX Integrated 5-port Managed Switch  
with 2 100Base-FX Ports, 2 10/100Base-T/TX Ports  
and Port 5 GMII/RGMII/MII/RMII Up-link Interface

Rev 1.0 December 2013

## Table of contents

1.0 Introduction.....	4
2.0 Features.....	4
3.0 Evaluation Kit Contents.....	4
4.0 Hardware Description.....	5
4.1 Strap in Mode.....	6
4.1.1 Feature Setting Jumpers.....	7
4.2 SPI Mode.....	10
4.3 MDC/MDIO Interface for MIIM Registers.....	11
4.4 10/100 Ethernet Ports.....	12
4.5 LED indicators.....	12
4.6 GMII/RGMII/MII/RMII Ports Configuration.....	13
5.0 Software Tools Description.....	16
5.1 Introducing Application Software Tools.....	17
5.2 Window Driver Installation First.....	17
5.3 Installation Application Software Tools.....	20
5.4 DOS SPI Tool.....	23
5.5 MDC/MDIO MIIM Software Tool.....	23
5.6 Window SPI Software Tool.....	25
5.7 LinkMD Software Tool.....	26
6.0 Reference Documents.....	27
7.0 Bill of Material.....	27
8.0 Schematics.....	27

## List of Figures and Tables

Figure 1 KSZ8765CLX-EVAL Board.....	5
Figure 2 KSZ8765CLX-EVAL Board Block Diagram .....	6
Table 1 General Setting Jumpers .....	7
Table 2 Port 5 SW5-GMII/RGMII/MII/RMII Setting Jumpers .....	7
Table 3 Power Setting Jumpers.....	8
Table 4 KSZ9031RNX RGMII Modes Setting Jumpers .....	8
Table 5 KSZ9031RNX Power and Other Setting Jumpers.....	9
Table 6 Select for using KSZ9031RNX or GMII/RGMII/MII/RMII Connector Jumpers.....	9
Table 7 Other Setting Jumpers.....	10
Table 8 SPI Slave Mode Related Setting by Jumpers.....	10
Table 9 Access MDC/MDIO MIIM Registers Setting by Jumpers .....	11
Table 10 LED Modes.....	12
Table 11 GMII/RGMII/MII/RMII Modes Settings .....	13

## Revision History

Revision	Date	Change
1.0	12/04/13	Initial release

## 1.0 Introduction

The KSZ8795 family is Micrel Operations new generation integrated 5-port switch with Gigabit up-link. The KSZ8765CLX is one of KSZ8795 family. KSZ8765CLX contains four MAC/PHYs with two fiber ports, two copper ports and one GMAC5 interface that is configurable GMII/RGMII/MII/RMII interfaces. The device had been designed with cost sensitive systems in mind but still offers a multitude of new features such as port based security ACL filtering, 802.1az EEE, LinkMD and so on. Also support port and tag based VLAN; QoS priority; CPU control SPI interfaces and CPU control MDC/MDIO for the register access. The KSZ8765CLX switch is an excellent choice in broadband gateway applications, integrated broadband router applications, industrial automatic, automotive, etc. fields and as a standalone switch. The KSZ8765CLX-EVAL board is designed to allow the user to experience Gigabit up-link with Gigabit port of any processor board and platform. Other rich feature set can be evaluated on this board. The evaluation board is highly configurable and easy to use.

## 2.0 Features

- Micrel KSZ8765 Integrated 5-port 10/100 Managed Ethernet Switch
- 2 RJ-45 Jacks for 10/100 Ethernet LAN with Corresponding Isolation Magnetics.
- Auto MDI/MDIX on copper Ports.
- 2 sockets for 100Base-FX fiber modules, the fiber modules are not included.
- 1 PHY mode and 1 MAC mode Connectors are for the port 5 GMII/RGMII/MII/RMII interfaces. Easily set each interface mode by jumpers.
- Port 5 SW5-RGMII hook-up with a KSZ9031RNX GPHY and provide a Gigabit port.
- Easily set to different VDDIO of 3.3V, 2.5V and 1.8V by jumpers.
- 1 USB Port Interface Configurable to Emulate SPI or MDC/MDIO master for all control registers and all MIIM registers access by using Window GUI and DOS based software tools.
- 2 LEDs Per Port with 4 LED modes to Indicate the Status and Activity
- The board powered can be used by either USB port or a 5V DC power supply.

## 3.0 Evaluation Kit Contents

The KSZ8765CLX-EVAL kit includes the following:

- KSZ8765CLX-EVAL Board Rev. 1.x
- KSZ8765CLX-EVAL Board User's Guide Rev 1.x
- Micrel SPI/MDIO Configuration Software tools
- KSZ8765CLX-EVAL Board Schematics and BOM
- KSZ8765 PCB file, Gerber file and IBIS model
- The software, reference schematics and other design information will be found in the Design Kit (Design Package) of the KSZ8765 Ethernet switch products on Micrel website. (Contact your Micrel FAE for the latest schematic).
- The USB cable and 5V DC power supply are not included.

## 4.0 Hardware Description

The KSZ8765CLX-EVAL board is in a compact form factor and can sit on a bench near a computer with USB connector. There are three options for configuration: strap in mode; SPI mode and MDIO mode. Strap-in mode configuration is easily done with on board jumper options. SPI mode and MDIO mode are accomplished through a built in USB port interface. Using Micrel SPI and MDIO software and your PC, you can configure the KSZ8765 device on board by the USB port. Using Micrel SPI software and your PC, you can access the KSZ8765's full feature set registers by the USB to SPI interface. Or using Micrel MDC/MDIO software with your PC, you can access the KSZ8765's MIIM PHY registers by general MDC/MDIO interface. The board also features the connectors for the Switch GMII/RGMII/MII/RMII interface and a Gigabit port for port 5. These are to facilitate connections from the switch to an external MAC/GMAC or PHY/GPHY.

The KSZ8765CLX-EVAL board is easy to use. There are programmable LED indicators for link and activity on all ports and a power LED. A manual reset button allows the user to reset the board without removing the power plug. A standard 5VDC power supply can be used by the power jack so that the user can supply power from any 110-240 Volt AC wall or bench socket, and the power also can be provided by USB port when close pin 2-3 of the JP40 jumper.

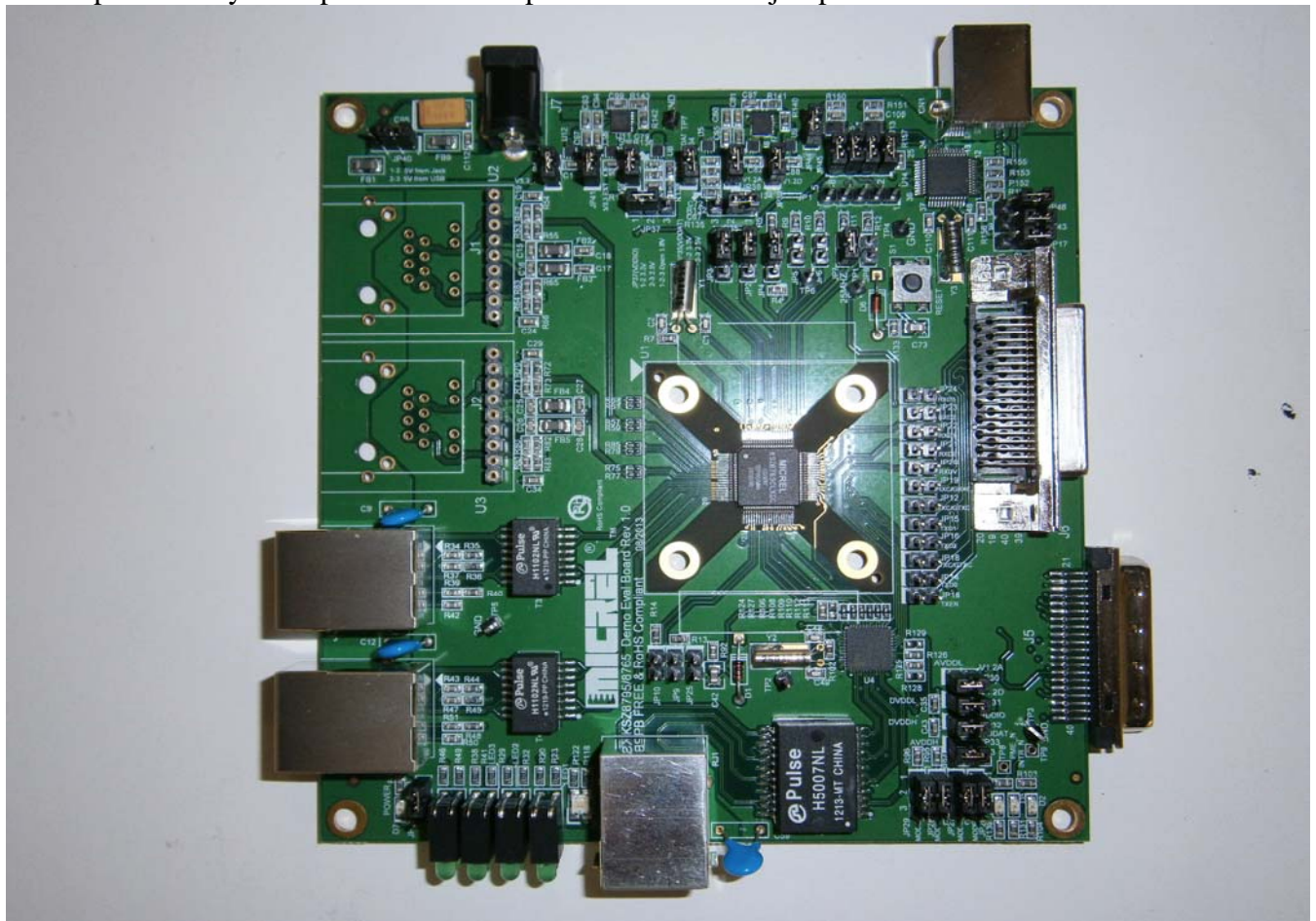


Figure 1 KSZ8765CLX-EVAL Board

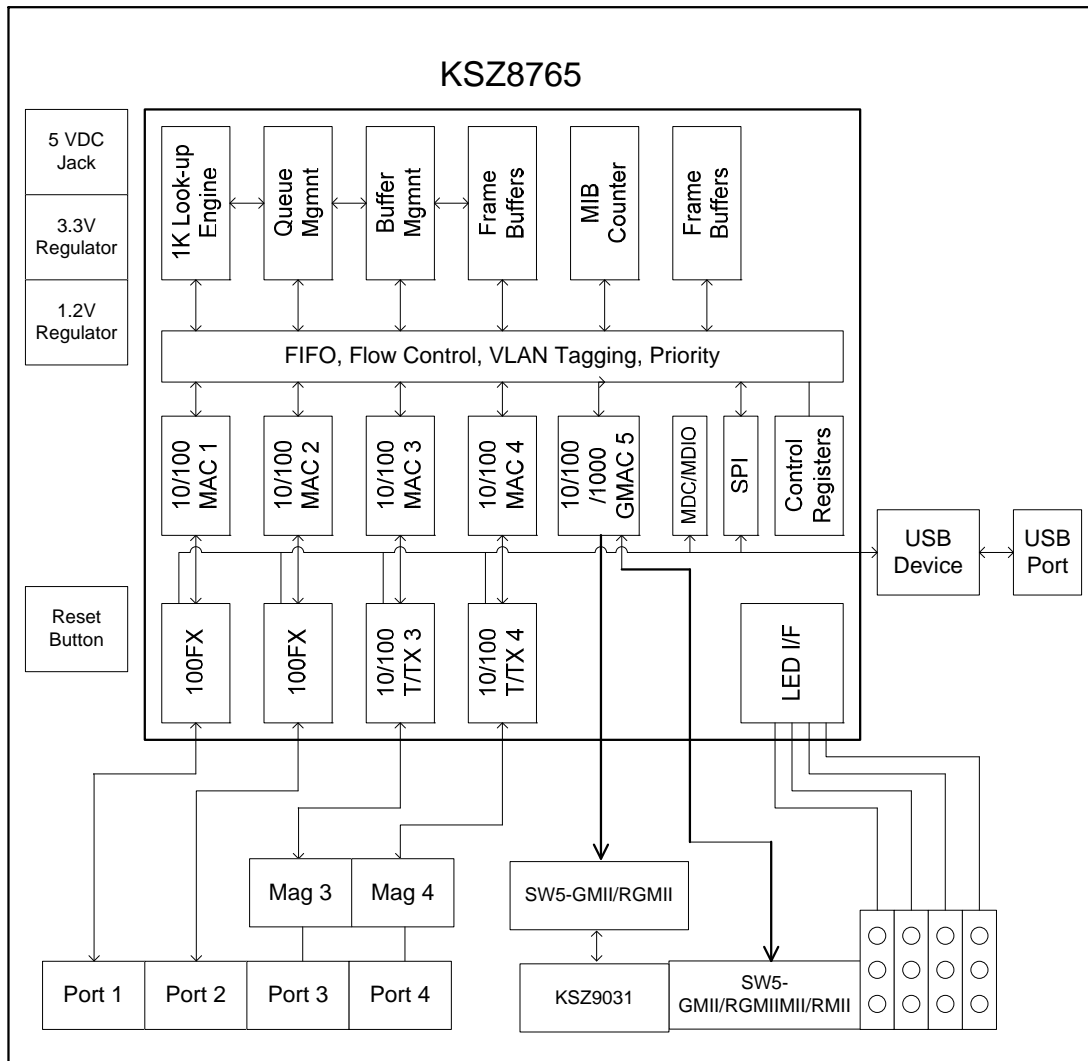


Figure 2 KSZ8765CLX-EVAL Board Block Diagram

## 4.1 Strap in Mode

Strap in configuration mode is the quickest and easiest way to get started. In the default mode, the KSZ8765 acts as a stand-alone 4 port switch and one RGMII up-link. The user has to simply set the board's configuration jumpers to the desired settings and apply power to the board. The user can also change jumper settings while power is applied to the board and press the convenient manual reset button for the new settings to take effect. Note that even if there is no external strap in values are set, internal pull up and pull down resistors will set the KSZ8765 default configuration. Section 4.1.1 covers each jumper on the board and describes its function.

The KSZ8765 will start automatically after power up or reset.

### 4.1.1 Feature Setting Jumpers

The evaluation board provides jumpers to allow the user to easily set strap in configurations for the KSZ8765. Tables below describe the jumpers and their functions in the open or closed state.

**Table 1 General Setting Jumpers**

<b>Jumper</b>	<b>KSZ8765 Signal</b>	<b>Description Closed or Open</b>	<b>Description Closed or Open</b>
JP1 5-pin	SPI signals	Open for SPI	1-2 Close for MDC/MDIO
JP2 3-pin	SCL_MDC	1-2 for KSZ8765 SPI or MDC/MDIO	2-3 for external PHY MDC
JP3 3-pin	SDA_MDIO	1-2 for KSZ8765 SPI or MDC/MDIO	2-3 for external PHY MDIO
JP4 3-pin	SPI/MDIO select	1-2 SPI slave mode	2-3 MDC/MDIO-MIIM access
JP5 2-pin	Gigabit and 10/100 mode select	Open: Gigabit rate in GMII/RGMII mode (LED1_0 has internal pull-up as default)	Closed: 10/100Mbps rate in GMII/RGMII mode
JP6 2-pin	Clock and Normal mode select	Open: Clock source from 25MHz on XI/XO pin in SW5-RMII normal mode (LED1_1 has internal pull-up as default)	Closed: Clock source from 50MHz on TXC5 pin in SW5-RMII normal mode.
JP7 2-pin	Output 25MHz clock for system using	Open: Output 25MHz on REFCLKO pin (LED2_0 has internal pull-up as default)	Closed: Disable 25MHz output on REFCLKO pin
JP8 2-pin	Select for MAC/PHY mode in SW5-MII or Clock/Normal mode in SW5-RMII	Open: GMAC/MAC mode in SW5-GMII/MII. Clock mode in SW5-RMII	Closed: GPHY/PHY mode in SW5-GMII/MII. Normal mode in SW5-RMII

**Table 2 Port 5 SW5-GMII/RGMII/MII/RMII Setting Jumpers**

<b>Jumper JP10</b>	<b>Jumper JP9</b>	<b>Up-Link Description</b>
Closed	Closed	SW5-MII
Closed	Open	SW5-RMII
Open	Closed	SW5-GMII
Open	Open	SW5-RGMII (default)

**Table 3 Power Setting Jumpers**

<b>Jumper</b>	<b>Description</b>	<b>Description Closed or Open</b>	<b>Description Closed or Open</b>
JP40 3-pin	5V power source selection	1-2 Closed: 5V from 5V DC Jack.	2-3 Closed: 5V USB connector.
JP34 2-pin	3.3V analog power	Closed: Provide 3.3V analog power (default)	Open: Measure 3.3V analog power current.
JP35 3-pin	2.5V or 3.3V Analog power select	1-2 Closed: Select 3.3V (Default)	2-3 Closed: Select 2.5V (Reserved)
JP36 2-pin	3.3V digital I/O power	Closed: Provide 3.3V digital I/O power (default)	Open: Measure 3.3V digital I/O power current.
JP37 3-pin	1.8V/2.5V or 3.3V digital I/O select	1-2 Closed: Select 3.3V digital I/O. 1-2-3 Open: 1.8V	2-3 Closed: Select 2.5V digital I/O. 1-2-3 Open: 1.8V
JP38 2-pin	1.2V analog power	Closed: Provide 1.2V analog power (default)	Open: Measure 1.2V analog power.
JP39 2-pin	1.2V digital power	Closed: Provide 1.2V digital power (default)	Open: Measure 1.2V digital power current.
JP41 2-pin	3.3V External power	Closed: Provide 3.3V for LED's and others	Open: Measure 3.3V power current.
JP42 2-pin	3.3V FX power	Closed: Provide 3.3V for the fiber module	Open: Measure 3.3V FX power current.

**Table 4 KSZ9031RNX RGMII Modes Setting Jumpers**

<b>JP26</b>	<b>JP27</b>	<b>JP28</b>	<b>JP29</b>	<b>RGMII Modes</b>
1-2 Closed	1-2 Closed	2-3 Closed	2-3 Closed	1000/Full
1-2 Closed	1-2 Closed	2-3 Closed	1-2 Closed	1000/Full/Half
1-2 Closed	1-2 Closed	1-2 Closed	2-3 Closed	10/100/1000/Full
1-2 Closed	1-2 Closed	1-2 Closed	1-2 Closed	10/100/1000/Full/Half
2-3 Closed	1-2 Closed	1-2 Closed	1-2 Closed	Chip power-down
Others are reserved				



Table 5 KSZ9031RNX Power and Other Setting Jumpers

Jumper	Description	Description Closed or Open	Description Closed or Open
JP30	1.2V Analog power for AVDDL	Closed: Provides 1.2V analog power for 9031	Open: Power down 9031 and isolate with KSZ8765
JP31	1.2V Digital power for DVDDL	Closed: Provides 1.2V digital power for 9031	Open: Power down 9031 and isolate with KSZ8765
JP32	3.3V Digital power for DVDDH	Closed: Provides 3.3V digital power for 9031	Open: Power down 9031 and isolate with KSZ8765
JP33	3.3V Analog power for DVDDH	Closed: Provides 3.3V analog power for 9031	Open: Power down 9031 and isolate with KSZ8765
JP25	Push button worm reset for KSZ9031	Closed: Push button reset will include 9031	Open: Push button reset will not include 9031

Table 6 Select for using KSZ9031RNX or GMII/RGMII/MII/RMII Connector Jumpers

Jumper	Signals	Description Closed or Open	Description Closed or Open
JP12	TXC5/GTXC5	Closed: Use connector for port 5 GMII/RGMII/MII/RMII	Open: Use KSZ9031RNX Gigabit PHY for port 5 GMAC5
JP13	TXEN5	Closed: Use connector for port 5 GMII/RGMII/MII/RMII	Open: Use KSZ9031RNX Gigabit PHY for port 5 GMAC5
JP14	TXD5_0	Closed: Use connector for port 5 GMII/RGMII/MII/RMII	Open: Use KSZ9031RNX Gigabit PHY for port 5 GMAC5
JP15	TXD5_1	Closed: Use connector for port 5 GMII/RGMII/MII/RMII	Open: Use KSZ9031RNX Gigabit PHY for port 5 GMAC5
JP16	TXD5_2	Closed: Use connector for port 5 GMII/RGMII/MII/RMII	Open: Use KSZ9031RNX Gigabit PHY for port 5 GMAC5
JP18	TXD5_3	Closed: Use connector for port 5 GMII/RGMII/MII/RMII	Open: Use KSZ9031RNX Gigabit PHY for port 5 GMAC5
JP19	RXC5/GRXC5	Closed: Use connector for port 5 GMII/RGMII/MII/RMII	Open: Use KSZ9031RNX Gigabit PHY for port 5 GMAC5
JP20	RXDV5	Closed: Use connector for port 5 GMII/RGMII/MII/RMII	Open: Use KSZ9031RNX Gigabit PHY for port 5 GMAC5
JP21	RXD5_0	Closed: Use connector for port 5 GMII/RGMII/MII/RMII	Open: Use KSZ9031RNX Gigabit PHY for port 5 GMAC5
JP22	RXD5_1	Closed: Use connector for port 5 GMII/RGMII/MII/RMII	Open: Use KSZ9031RNX Gigabit PHY for port 5 GMAC5
JP23	RXD5_2	Closed: Use connector for port 5 GMII/RGMII/MII/RMII	Open: Use KSZ9031RNX Gigabit PHY for port 5 GMAC5
JP24	RXD5_3	Closed: Use connector for port 5 GMII/RGMII/MII/RMII	Open: Use KSZ9031RNX Gigabit PHY for port 5 GMAC5

Table 7 Other Setting Jumpers

Jumper	Description	Description Closed or Open	Description Closed or Open
JP11 3-pin	Power for LED	1-2 Closed: Power from VDDIO.	2-3 Closed: Power from 3.3V (default).
JP17 3-pin	Power for an external PHY	1-2 Closed: 3.3V power for PHY EVAL board.	2-3 Closed: 5V power for PHY EVAL board.
JP46 3-pin	Power of USB controller from USB Jack or power jack	1-2 Closed: Controller power from USB connector (default).	2-3 Closed: Controller power from the power jack.
JP43 3-pin	USB I/O power	1-2 Close: 3.3V I/O (default)	2-3 Close: 5V I/O.
JP44 2-pin	Power for voltage shift buffer	Closed: normal (default)	Open: Measure device power without buffer.
JP45 2x4-pin		1-2, 3-4, 5-6, 7-8 Closed: normal (default)	Open all: Isolate with USB Controller

## 4.2 SPI Mode

From SPI interface to the KSZ8765, use a USB to SPI converter that allows accessing all of the KSZ8765 features and registers. The user can easily access the SPI interface using a computer connected to the evaluation board's USB port interface. Micrel provides a Windows GUI based program for the user to evaluate the KSZ8765's full feature set. KSZ8765's SPI interface will be able to access all static MAC table, the VLAN table, dynamic MAC address table, the MIB counters and all enhanced features.

To prepare the KSZ8765CLX-EVAL board for SPI mode configuration follow these steps:

1. Copy the Micrel provided SPI interface software on your computer.
2. Set jumpers as specified in Table 8 below for SPI slave mode.

Table 8 SPI Slave Mode Related Setting by Jumpers

Jumper	Description
JP2	1-2 Closed
JP3	1-2 Closed
JP4	1-2 Closed

3. Connect the computer's USB port to the KSZ8765 board with a USB port cable.
4. There are two ways to power up the evaluation board:
  - a). Connect the 5 VDC power supply to the KSZ8765 when JP40 pin1-2 is closed (default).
  - b). 5 VDC power source from the USB port when JP40 pin 2-3 is closed.
5. Open the Windows and navigate to the directory where the Window SPI file is stored. Click its icon to invoke the software.
6. Program the desired settings using the Micrel SPI interface software. See the software operation description section for details.

### 4.3 MDC/MDIO Interface for MIIM Registers

From MDC/MDIO interface to the KSZ8765, use a USB to MDC/MDIO converter that allows accessing all of PHY related registers. The user can easily access the MDC/MDIO interface using a computer connected to the evaluation board's USB port interface. Micrel provides Windows based programs for the user to evaluate for MIIM registers access. For the MIIM software to be used all of PHY related registers, please use the MDIO software tool in the folder the software directory.

To prepare the KSZ8765CLX-EVAL board for MDC/MDIO configuration, please follow these steps:

**Table 9 Access MDC/MDIO MIIM Registers Setting by Jumpers**

<b>Jumper</b>	<b>Description</b>
JP1	1-2 Closed
JP4	2-3 Closed
JP2	1-2 Closed
JP3	1-2 Closed

1. Set jumpers as specified in Table 9 for MDC/MDIO MIIM registers access.
2. Connect the computer's USB port to the KSZ8765 board with a USB port cable.
3. There are two ways to power up the evaluation board:
  - a). Connect the 5V DC power supply to the KSZ8765 when JP40 pin1-2 is closed.
  - b). 5V DC power source from the USB port when JP40 pin 2-3 is closed.
4. Open the Windows and navigate to the directory where the Window MDC/MDIO files are stored. Click its icon to invoke the software.
5. Program the desired settings using the Micrel MDC/MDIO software. See the software operation description section for details.

#### 4.4 10/100 Ethernet Ports

There are two 100Base-FX fiber ports and two 10/100Base-T/TX Ethernet ports on the KSZ8765CLX-EVAL board. The ports U2, U3, J3 and J4 are the 100Base-FX fiber module sockets and the standard RJ45 connectors. Each port can be used as either an uplink or downlink. Copper ports support Auto-MDI/MDIX, so there is no need on copper ports for cross over cables.

U2 = Fiber module socket for port 1

U3 = Fiber module socket for port 2

J3 = RJ45 connector for port 3

J4 = RJ45 connector for port 4

#### 4.5 LED indicators

##### Ethernet Port LEDs

There are four columns of LED indicators on the board, one column for each of the four ports. The LED indicators are programmable to two different modes. You can program the LED mode through Register 11 bits [5:4]. The mode definitions are shown in Table below. There are two LEDs per port. The naming convention is “LED<sub>x</sub>\_y”, where “x” is the port number, and “y” is the number of the LED for that port.

Table 10 LED Modes

Register 11 bits [5:4]	00	01	10	11
LED <sub>x</sub> _1	Speed	ACT	Duplex	Duplex
LED <sub>x</sub> _0	Link/ACT	Link	Link/ACT	Link

LED1\_y are assigned to port 1

LED2\_y are assigned to port 2

LED3\_y are assigned to port 3

LED4\_y are assigned to port 4

##### Power LED

The board also has a power LED D7 for the 3.3V power supply. D7 LED indicates 3.3V Power on and off.

##### PME\_N LED

The board also has a LED D4 for the Wake-on-LAN when set its mask register 125. D4 LED is turn on to indicate the Wake-on-LAN to be asserted.

##### INT\_N LED

The board also has an Interrupt LED D5 for the Link status change when set the interrupt mask register 125. D5 LED is turn on to indicate the interrupt to be asserted.

## 4.6 GMII/RGMII/MII/RMII Ports Configuration

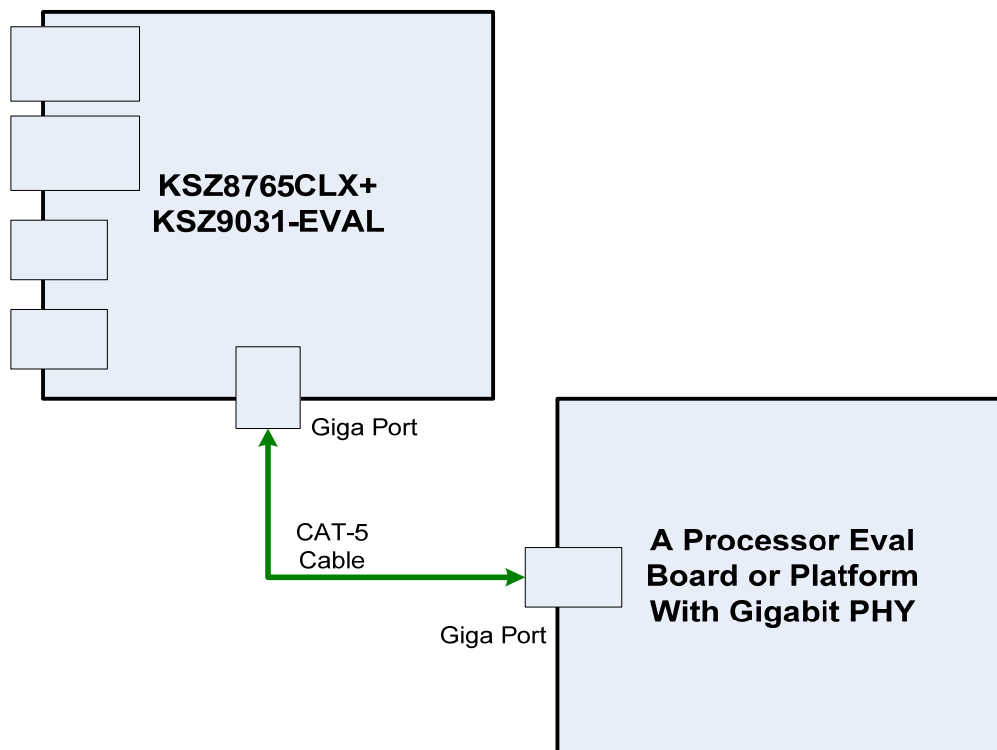
There are two connectors of J5 and J6 on the KSZ8765-EVAL board. J5 is PHY mode connector that can be connected to an external MAC mode connector with GMII/RGMII/MII/RMII interfaces, J6 is MAC mode connector that can be connected to an external PHY mode connector with GMII/RGMII/MII/RMII interfaces, some examples as below. Set jumpers as specified in Table 11 below for multiple CPU interfaces of GMII/, RGMII, MII and RMII and their modes.

**Table 11 GMII/RGMII/MII/RMII Modes Settings**

<b>JP10</b>	<b>JP9</b>	<b>JP8</b>	<b>JP6</b>	<b>JP5</b>	<b>GMAC5 Interface Modes</b>
Closed	Closed	Open	N/A	N/A	SW5-MII MAC mode
Closed	Closed	Closed	N/A	N/A	SW5-MII PHY mode
Closed	Open	Open	Open	N/A	SW5-RMII clock mode
Closed	Open	Open	Open	N/A	SW5-RMII normal mode with clock source from XI/XO 25MHz clock
Closed	Open	Open	Closed	N/A	SW5-RMII normal mode with clock source from TXC5 of RMII interface.
Open	Closed	Open	N/A	Open	SW5-GMII GMAC mode with Gigabit mode.
Open	Closed	Closed	N/A	Open	SW5-GMII GPHY mode with Gigabit mode.
Open	Closed	Open	N/A	Closed	SW5-GMII MAC mode with 10/100 mode.
Open	Closed	Closed	N/A	Closed	SW5-GMII PHY mode with 10/100 mode.
Open	Open	N/A	N/A	Open	SW5-RGMII with Gigabit mode.
Open	Open	N/A	N/A	Closed	SW5-RGMII with 10/100 mode.

**An example for SW5-RGMII with Gigabit port and a processor platform with Gigabit port evaluation connection:**

KSZ8765+9031-EVAL boards are used to connect with a processor board with a PHY/GPHY for port 5 SW5-RGMII communication, because KSZ9031RNX is a GPHY with RGMII interface. For using KSZ9031GPHY, the jumpers in Table 5 should be all closed. The jumpers in Table 6 should be all open. Figure shows below.



KSZ8765+9031 board should be set to SW5-RGMII mode (JP10 and JP9 Open), as KSZ9031RNX is Gigabit PHY with RGMII interface. The configurations below need to be considered based on the processor platform.

1. If the processor board with 10/100Mbps PHY port, JP5 of KSZ8765-EVAL board should be closed for the port 5 SW5-RGMII with 10/100Mbps mode to link up with a 10/100PHY of a processor platform.
2. If the processor board with GPHY port and want to communicate in 10/100Mbps mode of 10/100/100Mbps, JP5 of KSZ8765-EVAL board should be closed for the port 5 SW5-RGMII with 10/100Mbps mode to link up with a GPHY of a processor platform.
3. If the processor board with a Gigabit PHY port and want to communicate 1Gbps mode, JP5 of KSZ8765-EVAL board should be open for the port 5 SW5-RGMII with 1Gbps mode.
4. If port 5 SW5-RGMII is 1Gbps mode with KSZ9031RNX RGMII, the Register 86 (0x56) Bits [4:3] should be set to '11' (default are '01') with internal delay for both clocks of the ingress and the egress, because KSZ9031RNX is '00' without internal delay as default for both clocks of the ingress and the egress.

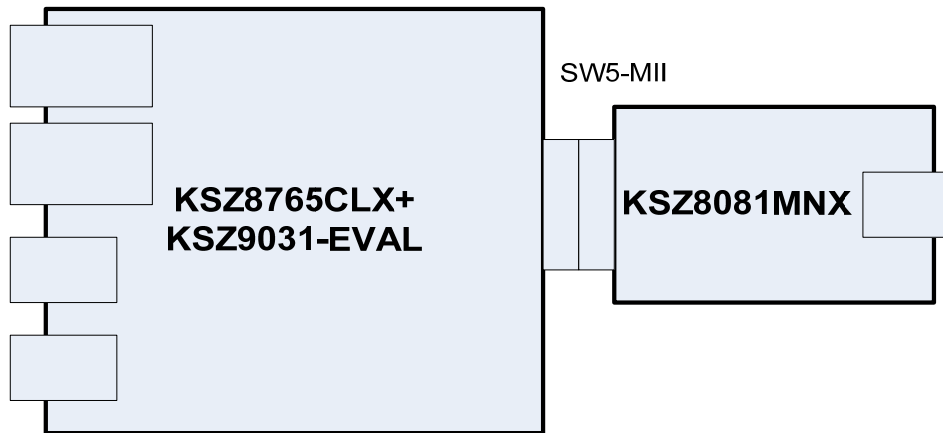
**Some Examples for GMII/RGMII/MII/RMII evaluation connection:**

If want by-pass KSZ9031 to test MII/RMII/GMII mode by using the connectors, the jumpers in table 5 need should be open, the jumpers in table 6 should be closed. There are examples as follows.

1. KSZ8765CLX-EVAL board with KSZ8081MNX/MLX PHY board for MII access.

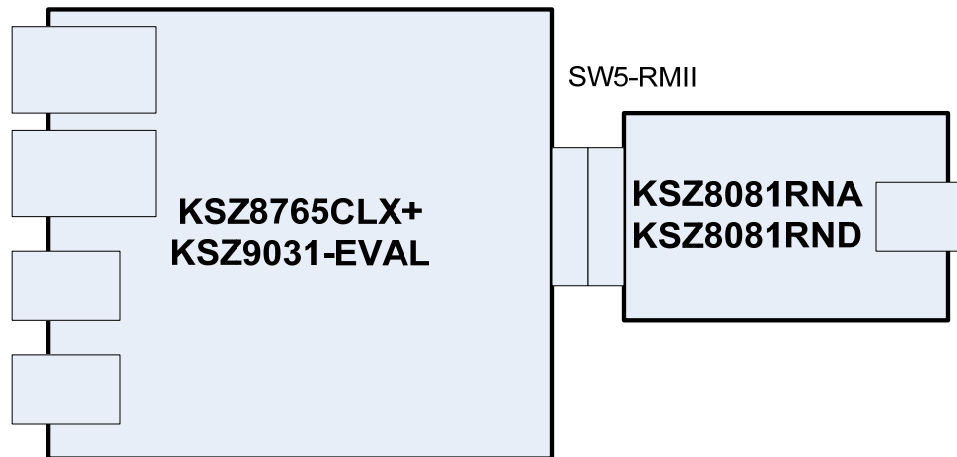
KSZ8765 can be set to SW5-MII MAC mode, this MAC-PHY connection Figure shows below.

JP17 Pin 1-2 on KSZ8765CLX-EVAL board needs to be closed for the connector with 3.3V power that is KSZ8081MNX-EVAL board request.



2. KSZ8765CLX-EVAL board with KSZ8081RNA/RND PHY board for RMII access.

KSZ8765 can be set to SW5-RMII normal mode with KSZ8081RNA-EVAL board or set to SW5-RMII clock mode with KSZ8081RND-EVAL board, the Figure shows below.



3. From the Figure shows above, when KSZ8765-EVAL board connect with KSZ8081 family PHY evaluation boards for RMII access,

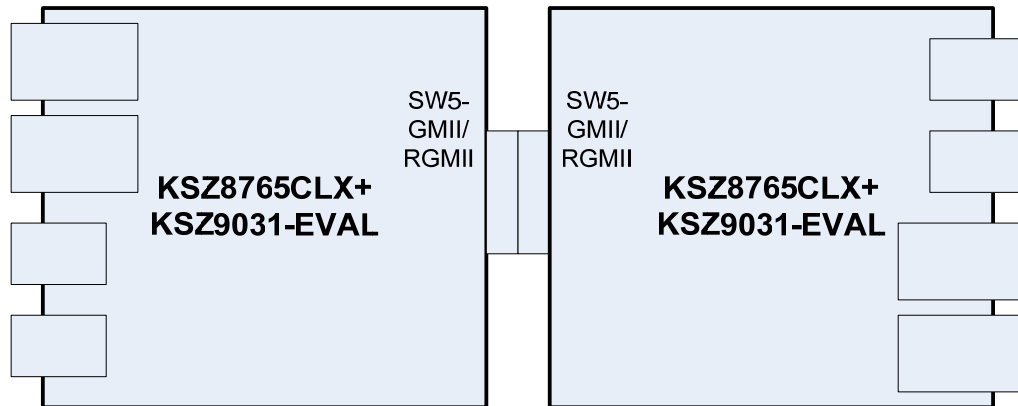
JP17 Pin 2-3 on KSZ8765CLX-EVAL board need to be closed for the connector with 5V power that is KSZ8081RNA/RND-EVAL board request.

When KSZ8765CLX-EVAL board hooks up with KSZ8081RND board, KSZ8795 should be set to RMII clock mode.

When KSZ8765CLX-EVAL board hooks up with KSZ8081RNA board, KSZ8795 should be

set to RGMII normal mode.

4. Two KSZ8765CLX-EVAL boards with back to back connection for GMII/RGMII access.
  - a). One can be set to SW5-GMII MAC mode, another one set to SW5-GMII PHY mode.
  - b). One can be set to SW5-RGMII with Gbps or Mbps mode, another one set to SW5-RGMII with Gbps or Mbps mode, the connection Figure shows below.



- c). Two KSZ8765CLX-EVAL boards connect together with GMII/RGMII Gigabit mode that can be used for a non-blocking multiple ports switch, or evaluate for SW5-GMII/RGMII. In RGMII mode, the RGMII configuration needs to be checked, the register setting is necessary sometime. Please see a table of RGMII clock delay configuration in SW5-RGMII Interface section of the datasheet for the setting details.  
For example, one board set Register 86 bits [4:3] = '01' (default), another board must be same Register 86 bits [4:3] = '01'. If one board set Register 86 bits [4:3] = '10', another board must be same Register 86 bits [4:3] = '10'. If one board set Register 86 bits [4:3] = '11', another board must be set Register 86 bits [4:3] = '00' for the correct RGMII configuration.



## 5.0 Software Tools Description

### 5.1 Introducing Application Software Tools

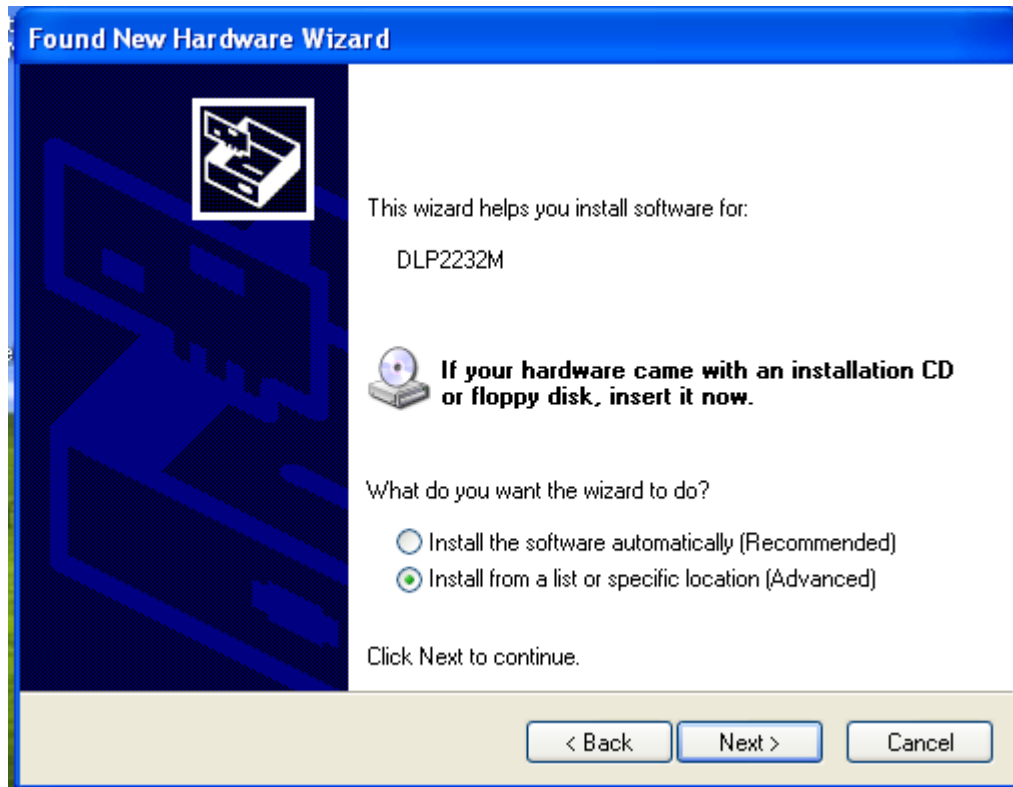
The Design Kit provides some software tools to support SPI access for all registers and MDC/MDIO access for MIIM registers. The installation file is located folders in the software tool directory within subdirectory of Window SPI\_MDIO\_Tools, this file name is MicrelSwitchPhyTool\_x.xx.msi.

### 5.2 Window Driver Installation First

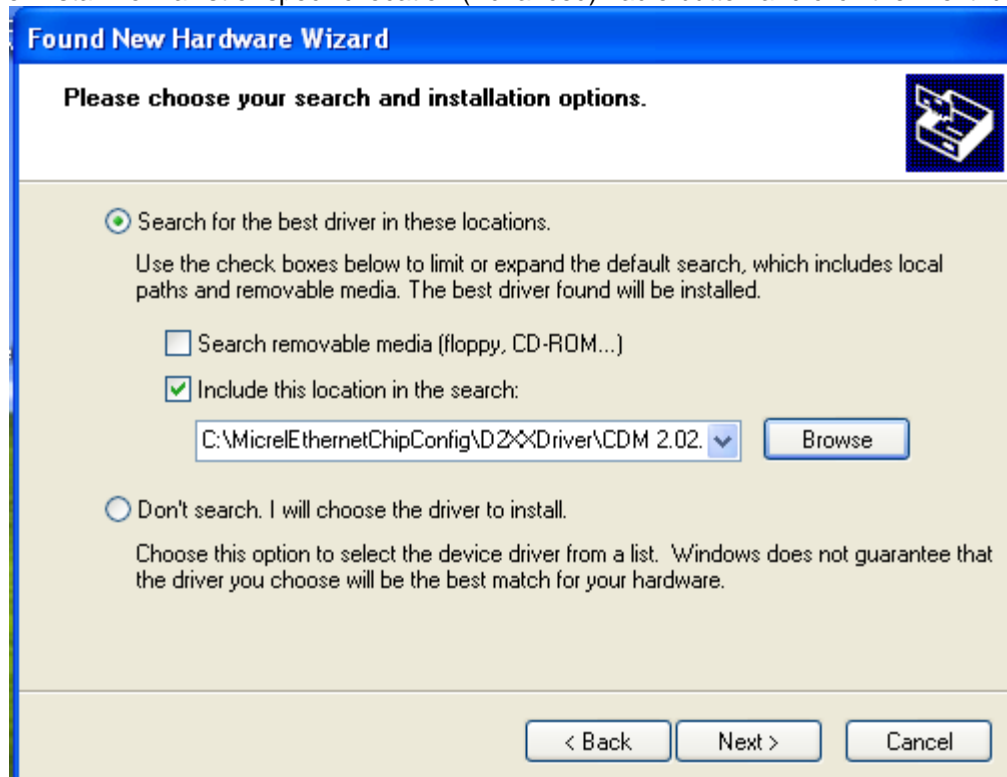
Before use the Window based application software tool, the support drivers need to be installed to PC/Laptop first and this installation is just one times only. When connect one standard USB cable with type A and type B connectors between the evaluation board and PC computer first time, the Found New Hardware Wizard window will pop-up and then follow the instructions step by step as below.



. Choose 'No, not this time' radio button and click the 'Next' button.



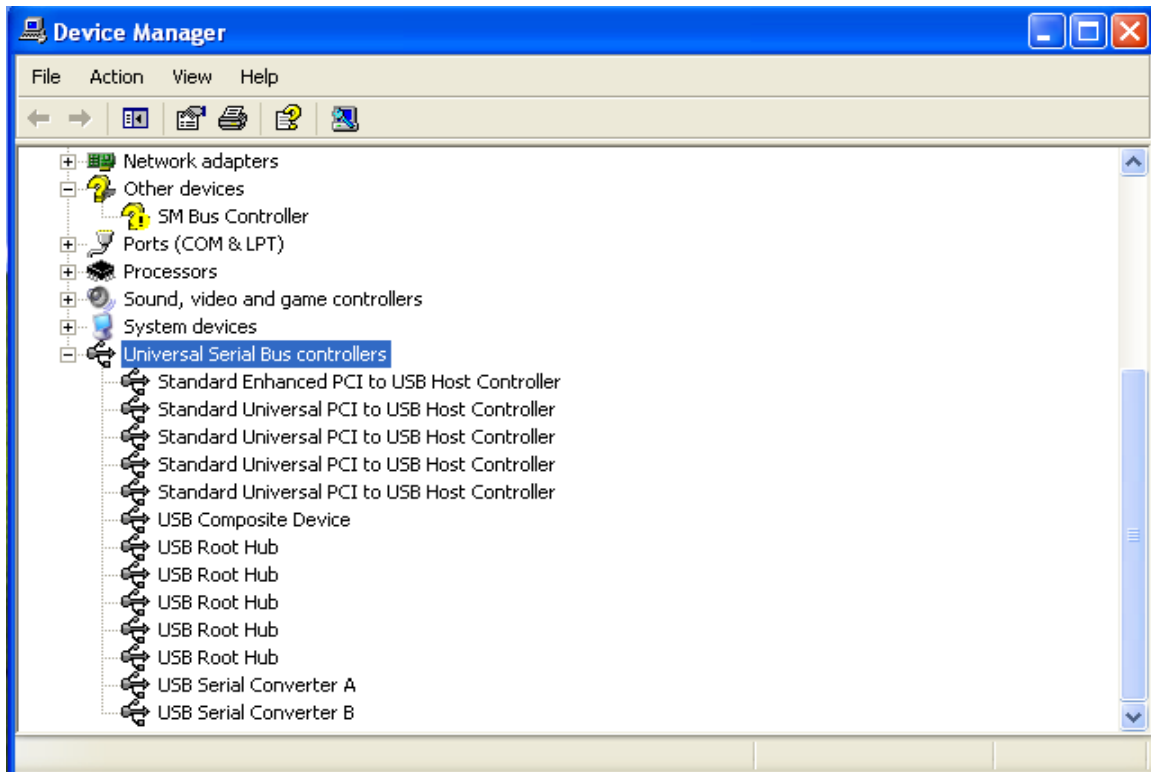
Choose the 'Install from a list or specific location (Advanced)' radio button and click the 'Next' button.



Click the 'Include this location in the search' check box, and use 'Browse' button to select the 'C:\MicrelEthernetChipConfig\D2XXDriver\CDM 2.02.04 WHQL Certified' directory and click the 'Next' button. The window will install the drivers from this location.

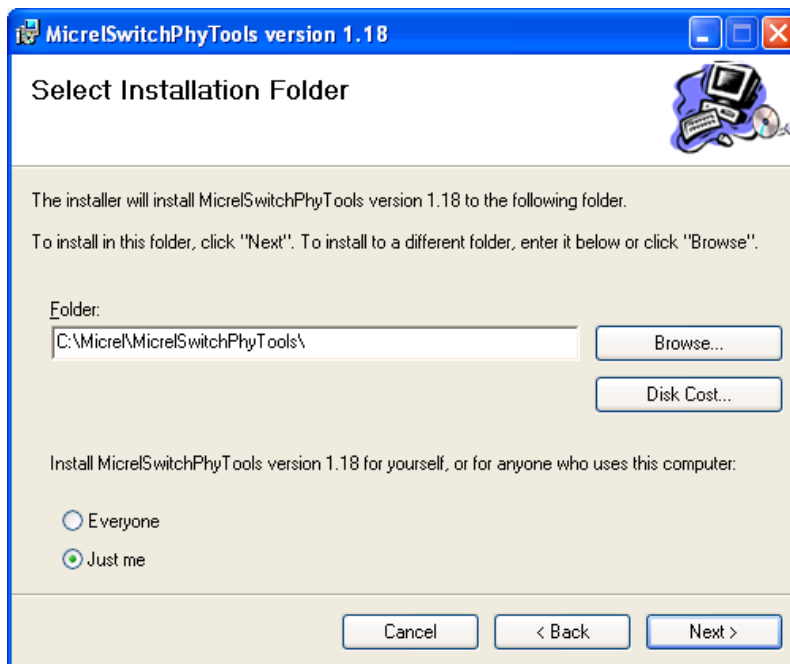
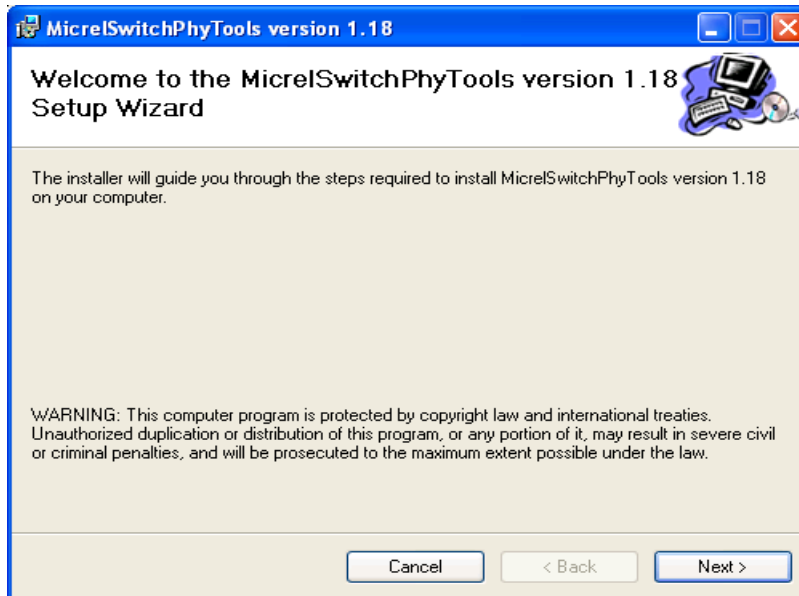


Click 'Finish' button. The Window will install another driver called 'USB Serial Converter B'. After the drivers installed, Window Device Manager will show 'USB Serial Converter A' and 'USB Serial Converter B' as below figure. That means the installation successful.

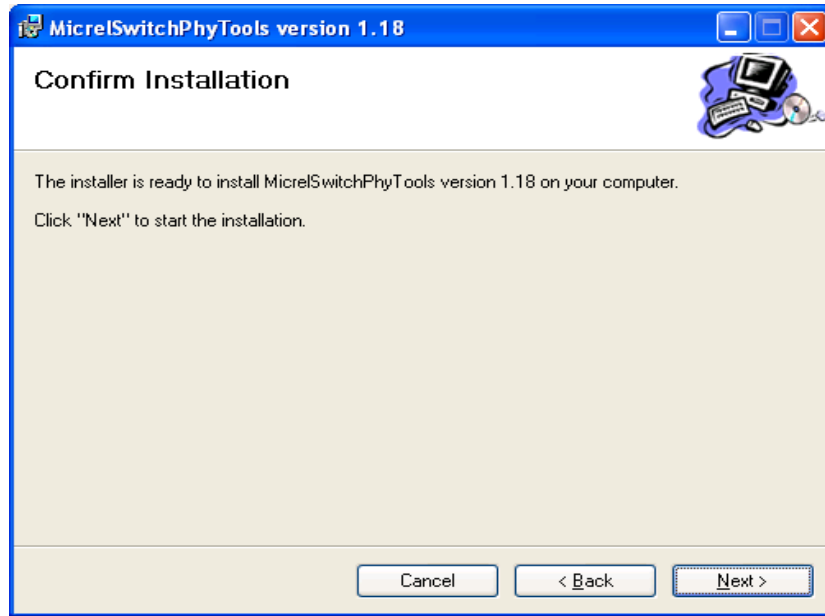


### 5.3 Installation Application Software Tools

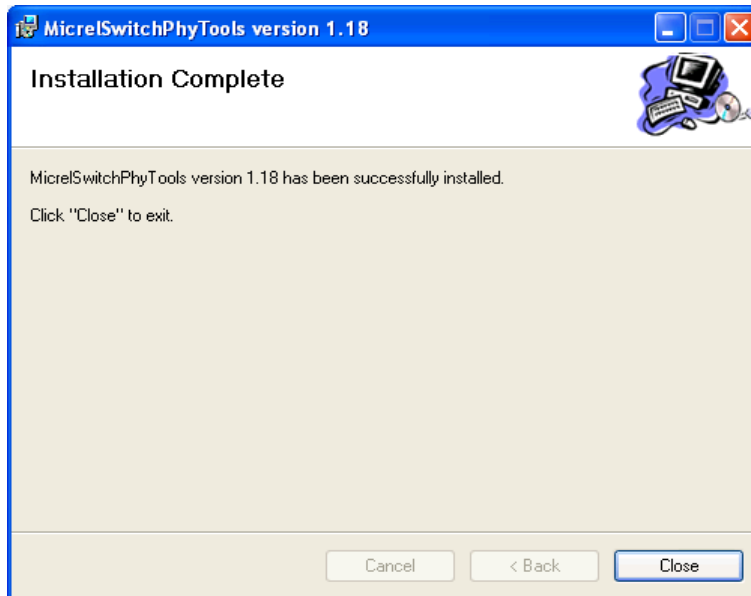
In the Design Kit, the installation file is located folders in the software tool directory within subdirectory of Window SPI\_MDIO\_Tools, this file name is MicrelSwitchPhyTool\_x.xx.msi. Double click this file name, an installation Window will pop-up and then follow the instructions step by step as below.



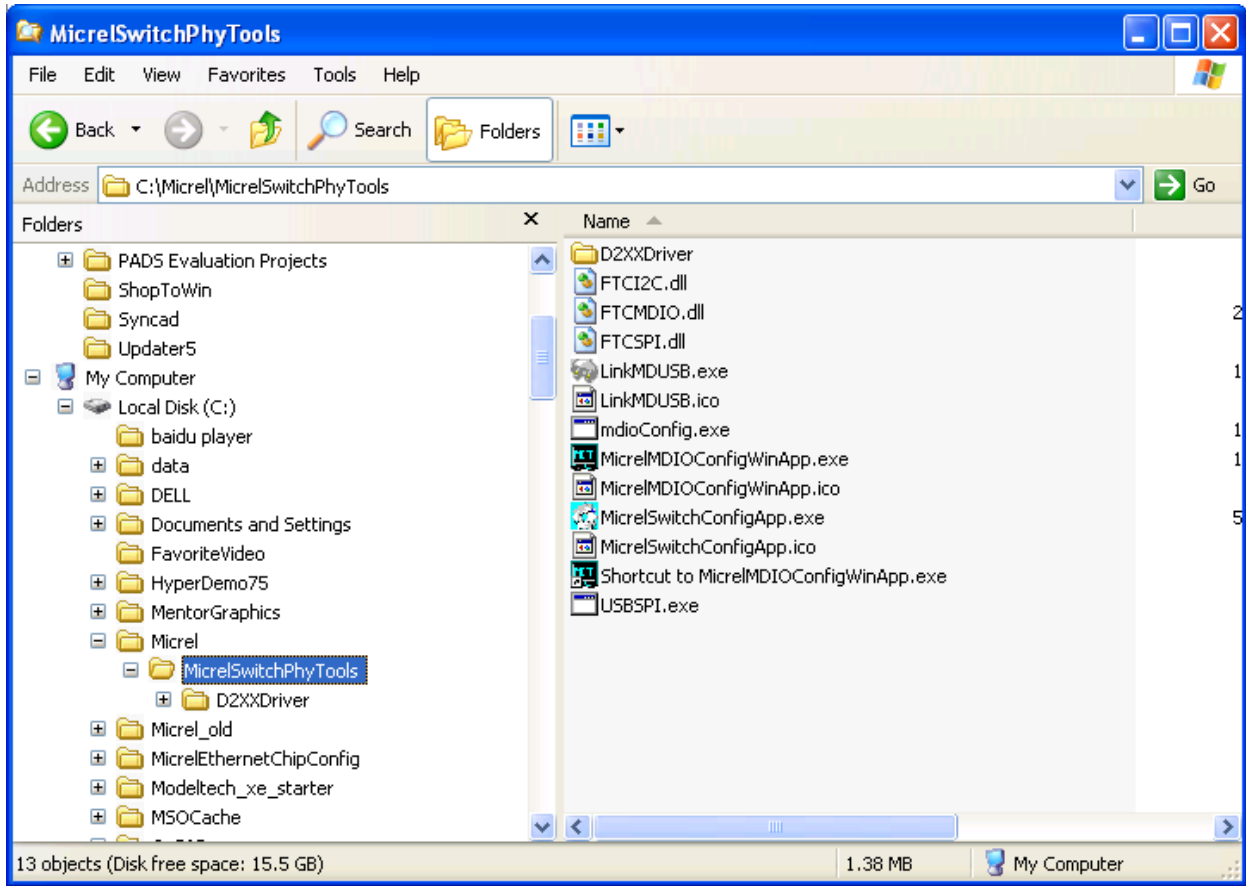
In this pop-up Window, this application software tools can be assigned to default Micrel directory in above window shown or is assigned to a specified folder what you want. Click 'Next' button, next Window will pop-up as below.



Click 'Next' button to start the installation.



Click 'Close' button to finish the installation. All application software tools are installed into the default Micrel directory or assigned directory in installation as below.



## 5.4 DOS SPI Tool

This is a simple and powerful tool to access all register. The tool located in the default or assigned folder in the installation. There is an USBSPI.exe file which can be executed directly by clicking its icon.

Before run the software tool, the SPI jumper setting should follows Table 5 in 4.3 SPI mode section and USB cable is plugged in both KSZ8765CLX-EVAL board and PC/Laptop. After click its icon, a DOS Window will pop up as follow:

```

C:\Micrel\MicrelSwitchPhyTools\USBSPI.exe
USB SPI Utitlity For Micrel Switch Dec 4 2012 : 17:07:59
KSZ8795 switch is detected

-->help
command syntax:
r reg - read register
w reg value - write register
mr phy reg - read phy register
mw phy reg value - write phy register
aclir port reg - read ACL register
acliw port reg value - write ACL reister
aclr port entry - read a entry of ACL table
aclw port entry values - write 14bytes value to a entry of ACL table
acltab port file - write contents from file to ACL table
run file - execute scripte file
mac - to set or show static mac table
vlan - to set or show vlan table
showmac - show dynamic mac table
showmib - show MIB counters
eee - run eee operation
q - quit the program

-->r 0
read reg 0x0 = 0x87

-->r 1
read reg 0x1 = 0x91

-->_

```

Type a 'help' and press Enter, all commands will display as follows,

For Read or Write registers, reg is the offset address of the register, value is Hex number.

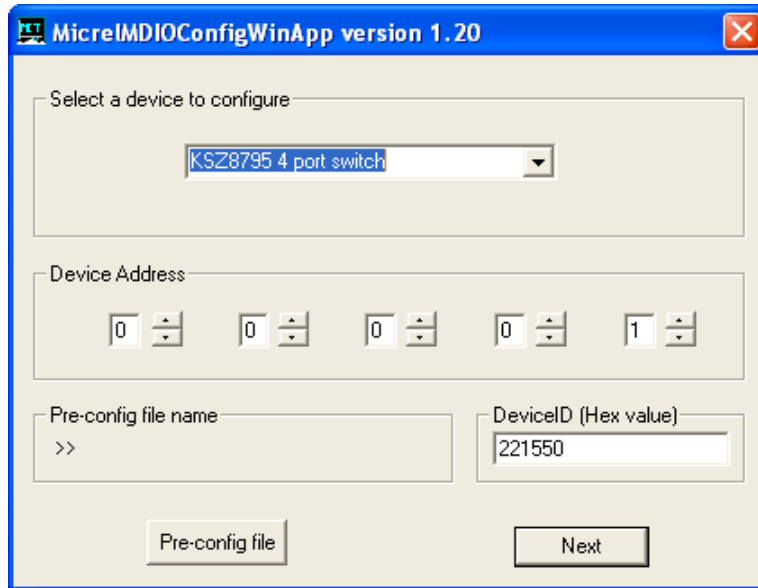
The 'run file' command can execute multiple commands by a script file, the script file is a .txt file which can be created by any edit tools.

→ run xxxx.txt //will run the .txt script file.

## 5.5 MDC/MDIO MIIM Software Tool

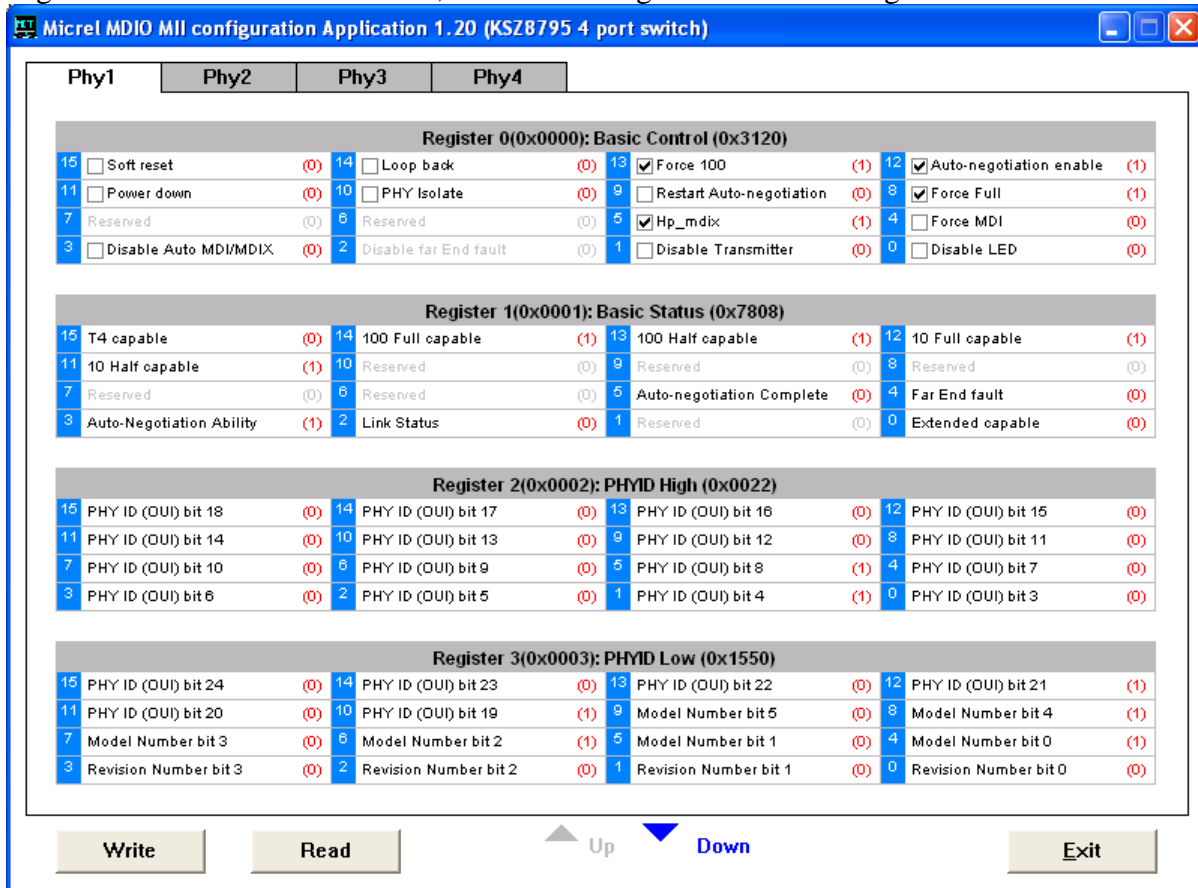
This is a simple and powerful tool to access MIIM register. The tool located in the default or assigned folder in the installation. There is a MicrelMDIOConfigWinApp.exe file which can be executed directly by clicking its icon.

Before run the software tool, the MDC/MDIO jumper setting should follows Table 6 in 4.4 MDC/MDIO mode section and USB cable is plugged in both KSZ8765CLX-EVAL board and PC/Laptop. After click its icon, a GUI Window will pop up as follow:



Select 'KSZ8765CLX switch' and click Next button, Pop up a MDIO MIIM Configuration window as below:

In this window, all of MIIM registers on 4 PHYs can be read and written directly. Click the button of 'Down' or 'Up', all MII registers will display for current configuration. Check any writable bits of registers and click 'Write' button, the value of registers will be changed





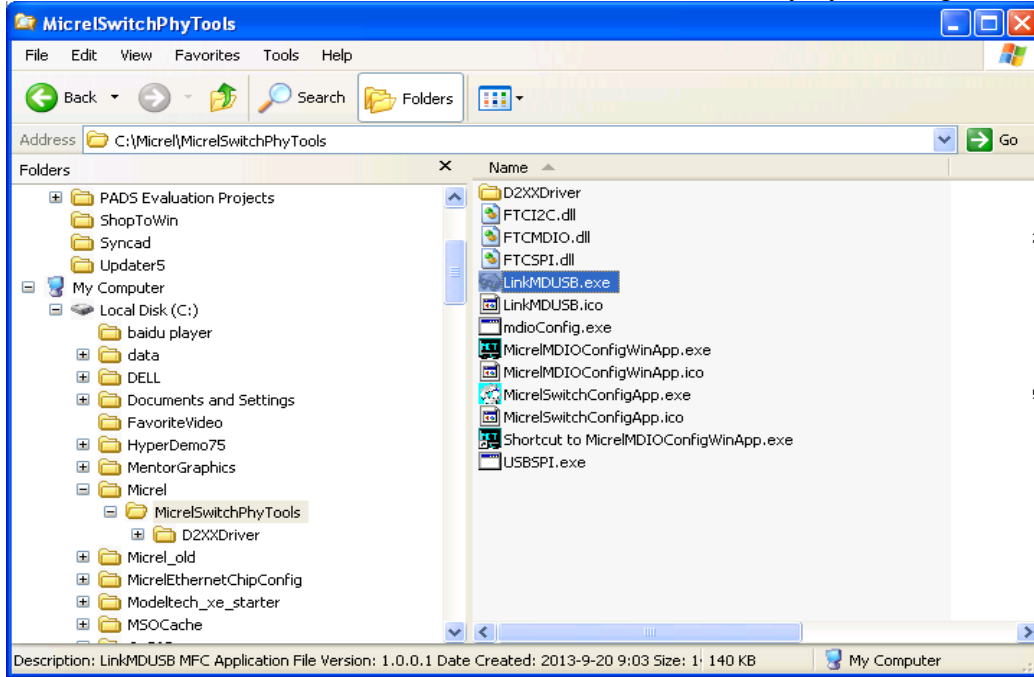


All register can be read/ written in the window.

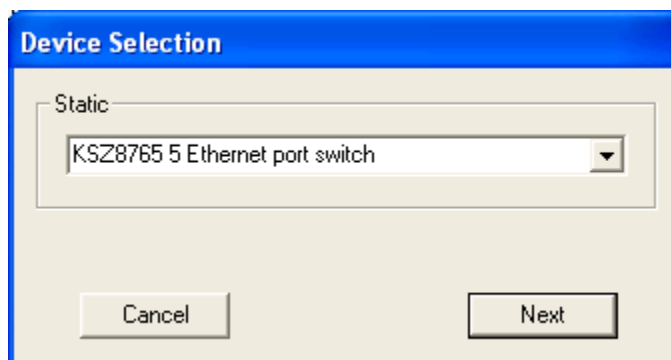
The control Window includes all application registers, static MAC table, VLAN table, dynamic table and MIB counters that are supported by SPI. The software can save and open the configuration file as a back-up.

### 5.7 LinkMD Software Tool

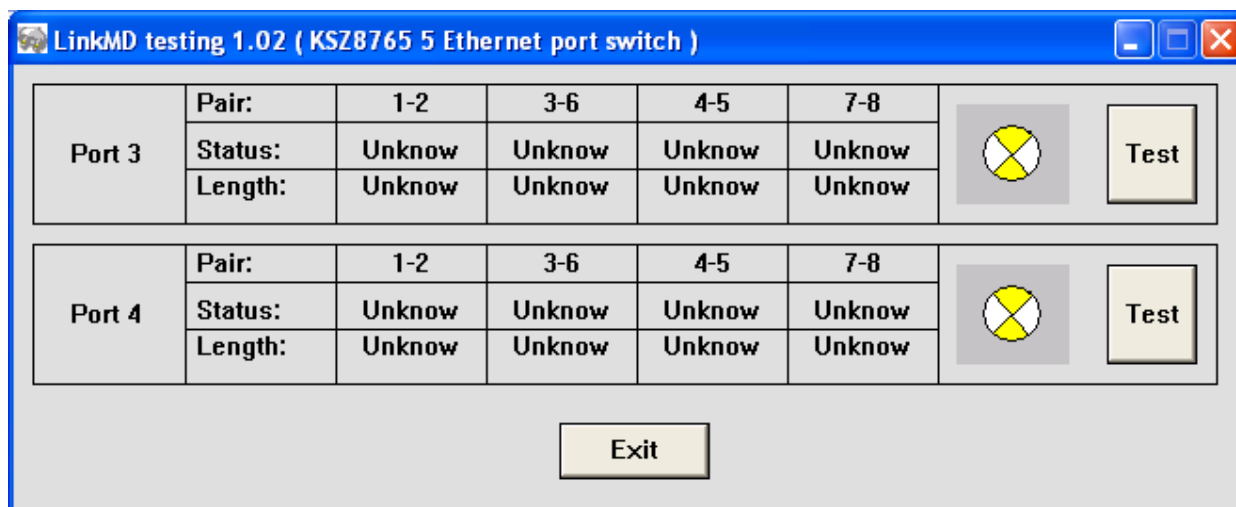
This is a simple and powerful tool to test Micrel LinkMD feature. The tool is in the installation folder. There is a LinkMDUSB.exe file which can be executed directly by clicking its icon.



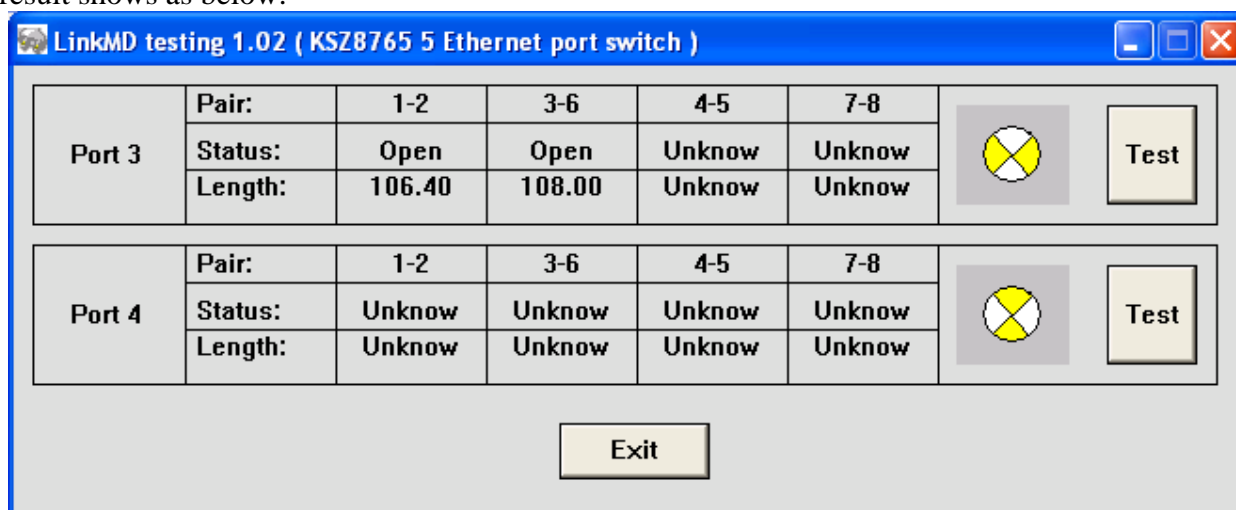
After click the icon of this executed file, a GUI Window will pop up as follow:



Select one part and click 'Next' button, using SPI interface and click 'Next' button again, pop up a test window as below:



An example for a 102m Cat-5 cable diagnostic with open on port 3, just click 'TEST' button, a test result shows as below.



The test result shows both MDIX mode for pair 3-6 and MDI mode for 1-2 pair. The detail LinkMD diagnostic testing configuration is described in the datasheet.

## 6.0 Reference Documents

KSZ8765CLX Data Sheets (Contact Micrel for Latest Datasheet), KSZ8765 Design Package includes all design information as a Design kit. The Design Kit will be found on Micrel website (Contact Micrel for the updates).

## 7.0 Bill of Material

Please see the detail BOMs in the BOM folder of the hardware design package for the KSZ8765CLX Evaluation Boards.

## 8.0 Schematics

Please see the schematics of the evaluation board and reference design in the schematics

folder of the hardware design package for the KSZ8765CLX-EVAL Board.

**Magnetics Vendors:**

See the datasheets for the recommendation.

---

**MICREL, INC. 1849 FORTUNE DRIVE SAN JOSE, CA 95131 USA**

TEL +1 (408) 944-0800 FAX +1 (408) 474-1000 WEB <http://www.micrel.com>

The information furnished by Micrel in this data sheet is believed to be accurate and reliable. However, no responsibility is assumed by Micrel for its use. Micrel reserves the right to change circuitry and specifications at any time without notification to the customer.

Micrel Products are not designed or authorized for use as components in life support appliances, devices or systems where malfunction of a product can reasonably be expected to result in personal injury. Life support devices or systems are devices or systems that (a) are intended for surgical implant into the body or (b) support or sustain life, and whose failure to perform can be reasonably expected to result in a significant injury to the user. A Purchaser's use or sale of Micrel Products for use in life support appliances, devices or systems is a Purchaser's own risk and Purchaser agrees to fully indemnify Micrel for any damages resulting from such use or sale.

© 2013 Micrel, Incorporated.