

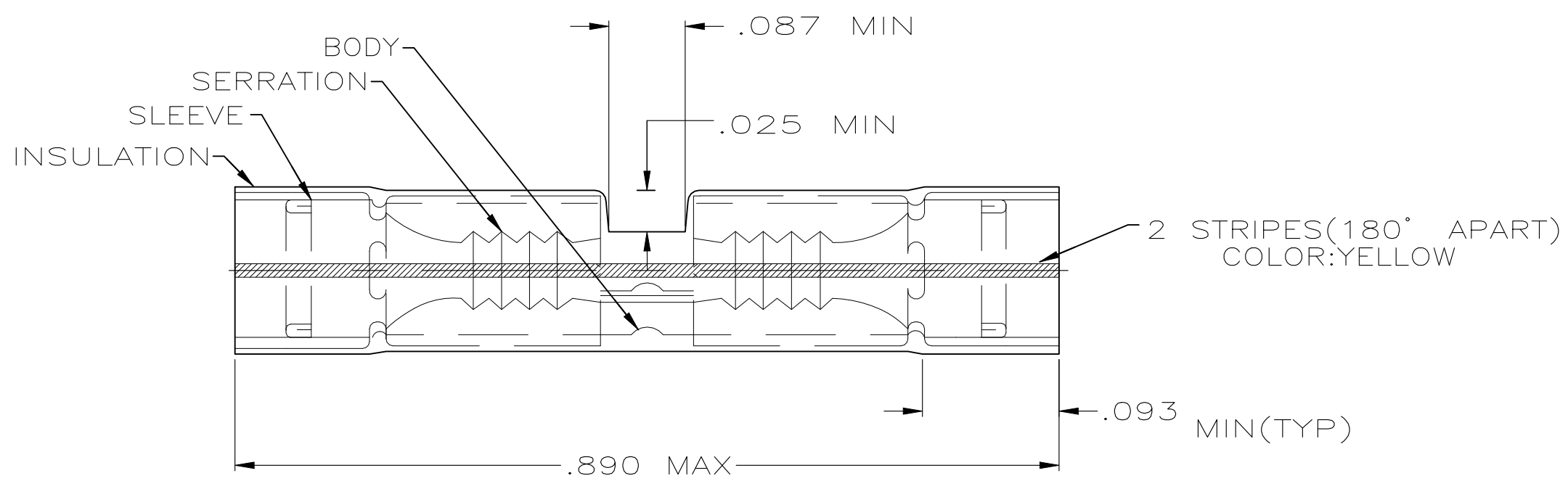
REVISIONS				
P	LTR	DESCRIPTION	DATE	APVD
	A2	REV PER ECN-22-150900	28APR2022	RK CSD

**AMP**  
WIRE RANGE

---

26-22 AWG  
STRADED

- 1 WIRE INSULATION DIA .050 TO .082.
- △2 FINISH: BODY AND SLEEVE:  
TIN PLATE PER ASTM B545.
- △3 MATERIAL: BODY AND SLEEVE,  
COPPER PER ASTM B152  
INSULATION: PVF<sup>2</sup>  
COLOR- NATURAL



1000	LOOSE PIECE	696425-1
QTY	PACKAGE TYPE	PART NO

<b>AMP INCORPORATED CUSTOMER SERVICE SYSTEMS</b>		MAX RECOMMENDED OPERATING TEMPERATURE: 150°C	THIS DRAWING IS A CONTROLLED DOCUMENT.		DWN jr_ruth 19AUG05	<b>STE</b> TE Connectivity					
FOR ADDITIONAL PRODUCT INFORMATION OR COPIES OF DRAWINGS AND TECHNICAL DOCUMENTS	PRODUCT INFORMATION CENTER 1-800-522-6752	VOLTAGE RATING: -	DIMENSIONS: INCHES	TOLERANCES UNLESS OTHERWISE SPECIFIED:	CHK T MICHELUTTI 19AUG05				NAME SPLICE, BUTT, PVF2 , P.I.D.G. WIRE SIZE: 26-22 AWG		
FOR APPLICATION TOOLING INFORMATION	TOOLING ASSISTANCE CENTER 1-800-722-1111	CIRCULAR MIL AREA: 0.10-0.41mm <sup>2</sup> [202-810] STRADED		0 PLC ± - 1 PLC ± - 2 PLC ± .008 3 PLC ± - 4 PLC ± - ANGLES ± -	APVD T MICHELUTTI 19AUG05	PRODUCT SPEC	APPLICATION SPEC	SIZE	CAGE CODE	DRAWING NO	RESTRICTED TO
FOR ORDER ENTRY	1-800-526-5142	THIS DRAWING IS A CONTROLLED DOCUMENT FOR AMP INCORPORATED. IT IS SUBJECT TO CHANGE AND THE CONTROLLING ENGINEERING ORGANIZATION SHOULD BE CONTACTED FOR THE LATEST REVISION.	MATERIAL - △3	FINISH - △2	WEIGHT -	---	---	A3	00779	C-696425	---
CUSTOMER DRAWING						SCALE	1:1	SHEET	1 OF 1	REV	A2