

SGEL108/106CV

Dustproof



RoHS Compliant

Speed Controllable Trigger Switches for AC Power

With Variable Speed Control

■ Features

- 1. High-Current Trigger Switch With Speed Controller**
High current, compact trigger switch with speed control circuit for AC power.
- 2. Junction Terminal For Easy Wiring**
Junction terminals and terminals for noise canceller capacitor are also provided, which makes wiring work easy and simple.
- 3. Variable Speed Control**
Available with or without speed adjustment knob.
- 4. For 100 VAC and 200 VAC**
100~130 VAC and 220 V~240 VAC (50/60 Hz) are available to comply with the different voltage requirements of each countries throughout the world.
- 5. Dustproof**
The switch has no openings which assures excellent protection against dust.
- 6. High Reliability**
The sliding contact mechanism (wipe mechanism) assures high contact reliability.
- 7. UL Recognized, CSA Certified**

■ Common Specifications

Rating	108CV type	8A 125V AC (Resistive or inductive load)								
	106CV type	6A 250V AC (Resistive or inductive load)								
Dielectric strength	2,000VAC 1 minute									
Insulation resistance	100MΩ min. (500VDC)									
Electrical life	50,000 operations <table border="0" style="margin-left: 20px;"> <tr> <td>108CV type :</td> <td>125VAC 48/8A</td> </tr> <tr> <td></td> <td>P.f. 0.6/0.9</td> </tr> <tr> <td>106CV type :</td> <td>250VAC 36/6A</td> </tr> <tr> <td></td> <td>P.f. 0.6/0.9</td> </tr> </table>		108CV type :	125VAC 48/8A		P.f. 0.6/0.9	106CV type :	250VAC 36/6A		P.f. 0.6/0.9
108CV type :	125VAC 48/8A									
	P.f. 0.6/0.9									
106CV type :	250VAC 36/6A									
	P.f. 0.6/0.9									
Operating force	11.8~24.5N									
Operating temperature range	-10~+65°C									
Storage temperature range	-20~+80°C									

■ Part Numbering

SG	E	L	108CV	—	A	—	Z												
Series code	Dustproof	Lock mechanism	Applicable voltage range		Actuator shape														
		<table border="1" style="margin-left: auto; margin-right: auto;"> <tr> <td>None</td> <td>Without</td> </tr> <tr> <td>L</td> <td>With</td> </tr> </table>	None	Without	L	With	<table border="1" style="margin-left: auto; margin-right: auto;"> <tr> <td>108CV</td> <td>AC100~AC130V</td> </tr> <tr> <td>106CV</td> <td>AC220~AC240V</td> </tr> </table>	108CV	AC100~AC130V	106CV	AC220~AC240V		<table border="1" style="margin-left: auto; margin-right: auto;"> <tr> <td>None</td> <td>Standard type</td> </tr> <tr> <td>A</td> <td>With speed adjustment knob</td> </tr> </table>	None	Standard type	A	With speed adjustment knob		
None	Without																		
L	With																		
108CV	AC100~AC130V																		
106CV	AC220~AC240V																		
None	Standard type																		
A	With speed adjustment knob																		

※ It is all an inquiry product. Please consult us for ordering.

Table of Part Numbers

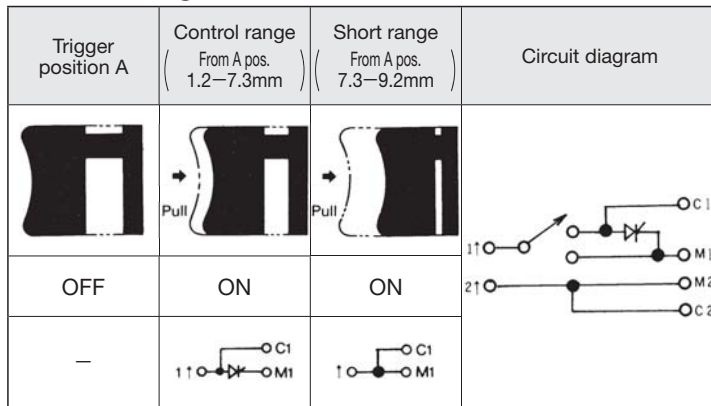
Speed adjustment knob	Applicable voltage range	Standard type	
		Without lock mechanism	With lock mechanism
Without	AC100V~130V	SGE108CV-Z	—
	AC220V~240V	—	—
With	AC100V~130V	SGE108CV-A-Z	SGEL108CV-A-Z
	AC220V~240V	SGE106CV-A-Z	SGEL106CV-A-Z

Thyristor Specifications

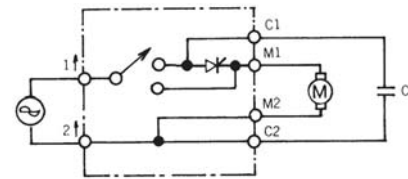
$I_T(AV)$	サITSM	V_{RRM}
8A	120A	600V

UL recognized / CSA certified.

Circuit Diagram

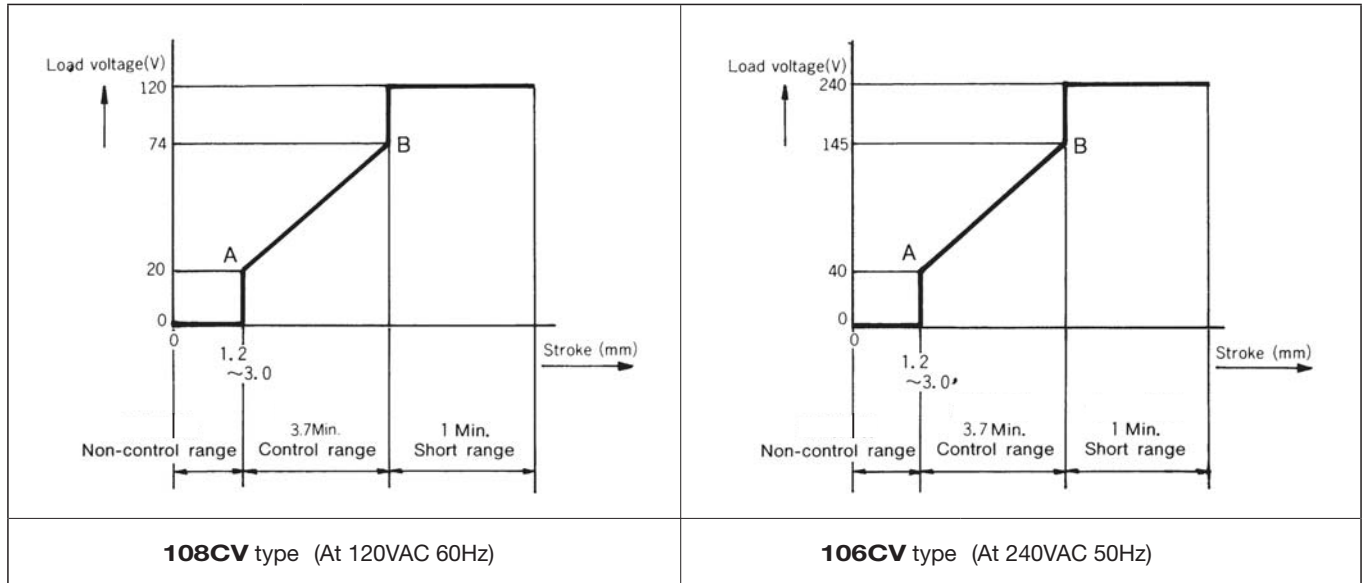


Wiring Diagram



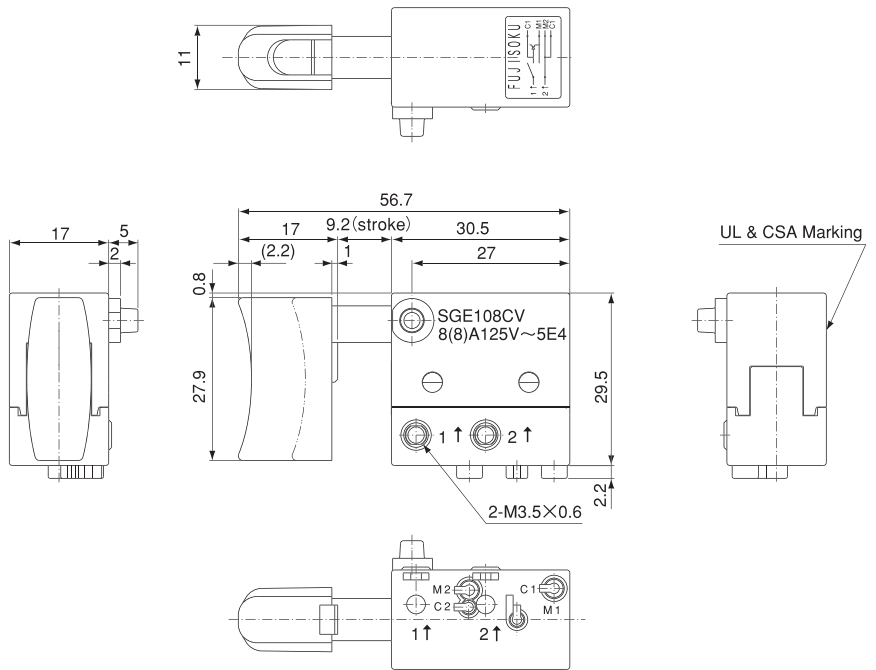
1↑ · 2↑ : Terminals for power source
 C1 · C2 : Terminals for capacitor
 M1 · M2 : Terminals for motor load

Control Characteristics



SGE108CV-Z

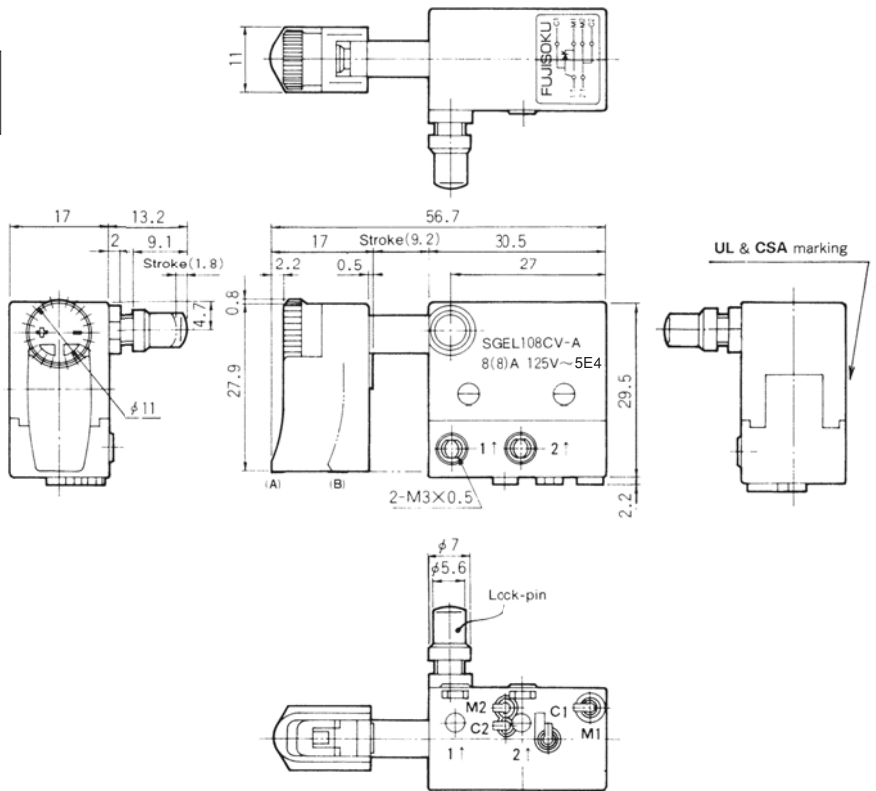
Standard type



Dustproof

SGEL108/106CV-A-Z

With Speed Adjustment Knob



Dustproof

■ Customizations

- Customization of colors, shapes, etc. of the trigger, knob, lever, etc. are available.

■ Precautions

1. Tightening torque for the terminal screw.
: 58.8N · cm max.
2. Lead Wire
 - (1) Terminal portion for the motor load and power source.
(1 ↑ · 2 ↑ · M1 · M2)
: AWG18 (Dia of covered wire = 3 mm max.)
 - (2) Terminal portion for the capacitor. (C1 · C2)
: AWG20~24 (Dia of covered wire = 2 mm max.)
 - (3) Wire stripping
: 8~8.5 mm