

Type PMA-PB-01-SOS

Panel Mount Fuse Holder

1/4" x 1 1/4" (6.3 x 32mm) Fuses

Push Button / Bayonet



www.optifuse.com (619) 593-5050

Electrical Rating: 10A, 250V AC

Fuse Style: 1/4" x 1 1/4" (6.3 x 32mm)

Material:

Frame: Phenolic (UL flame: 94V-1)

Cap: Nylon (UL flame: 94V-2)

Terminals: Nickel-plated brass

Cap: Push Button to Release

Mounting: by metal nut with white washer

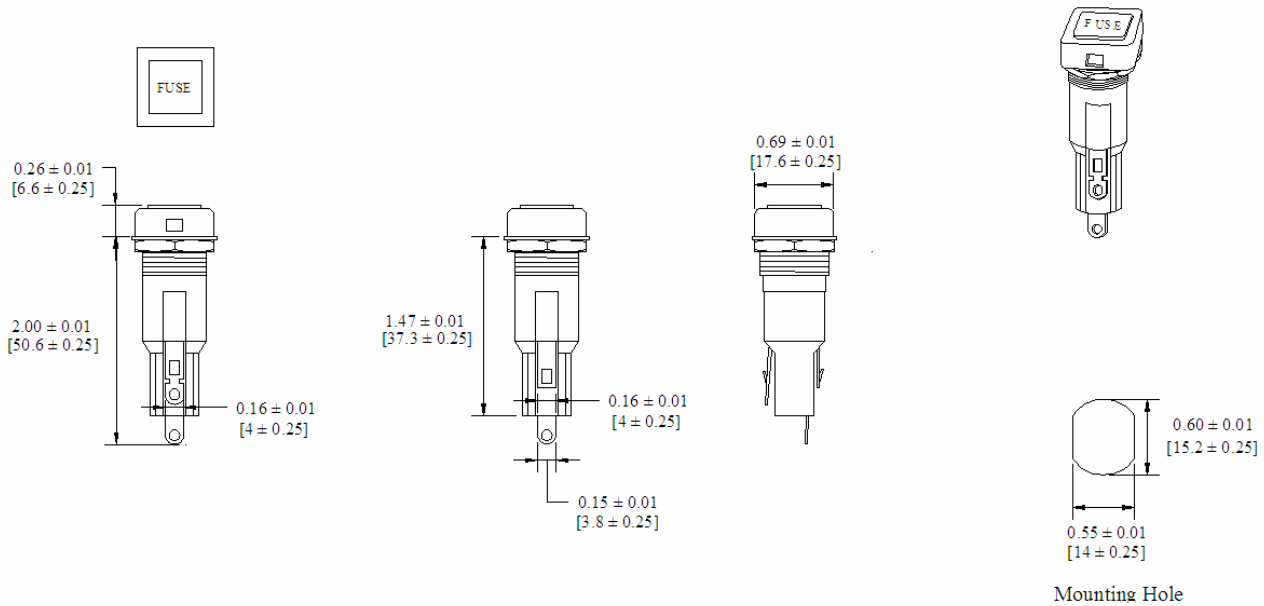
Terminal: Solder 3.8mm / 0.148", Solder/Quick-Connect 4.0mm / 0.156"

Panel Thickness: 0.5 ~ 4.5mm

Agency Standards and Listings:



Product Dimensions: Inches [mm]



Warning:



- Operation beyond the specified maximum ratings or improper use may result in damage and possible electrical arcing and/or flame.
- Fuse Holders are not intended for circuit disconnect. All power should be disconnected before removing fuse.
- Avoid contact of Fuse Holder with chemical solvent. Prolonged contact may damage the device performance.