

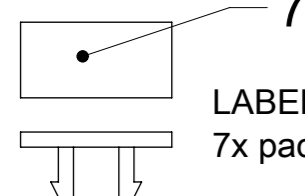
TABLE 1

MOLEX PN	ENG. NO.	CABLE LENGHT (mm)	LED
1202470031	BEB6010-FBW-05	5000	NO
1202470032	BEB6010-FBW-10	10000	NO
1202470033	BEB6010-FBW-15	15000	NO
1202470040	BEB601P-FBW-05	5000	YES
1202470041	BEB601P-FBW-10	10000	YES
1202470042	BEB601P-FBW-15	15000	YES

TABLE 2

ITEM	COMPONENT	MATERIAL	FINISH
1	INSERT	POLYESTER	BLACK
2	CONTACT	COPPER ALLOY	GOLD OVER NICKEL
3	O-RING	VITON	RED
4	RECEPTACLE SHELL	BRASS	NICKEL PLATED
5	HOUSING	PBT	BLACK
6	CABLE	TPU	BLACK
7	LABEL	ABS	WHITE
8	LABEL ADHESIVE	PE	WHITE
9	CABLE PLATE	PBT	BLACK
10	LED	NO LED = PA	BLACK
		WITH LED = PA	TRANSPARENT
11	RESIN	EPOXY	TRANSPARENT

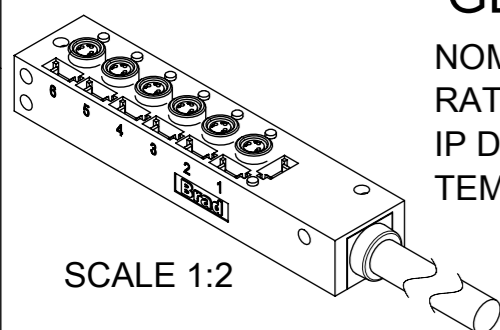
SCALE 2:1



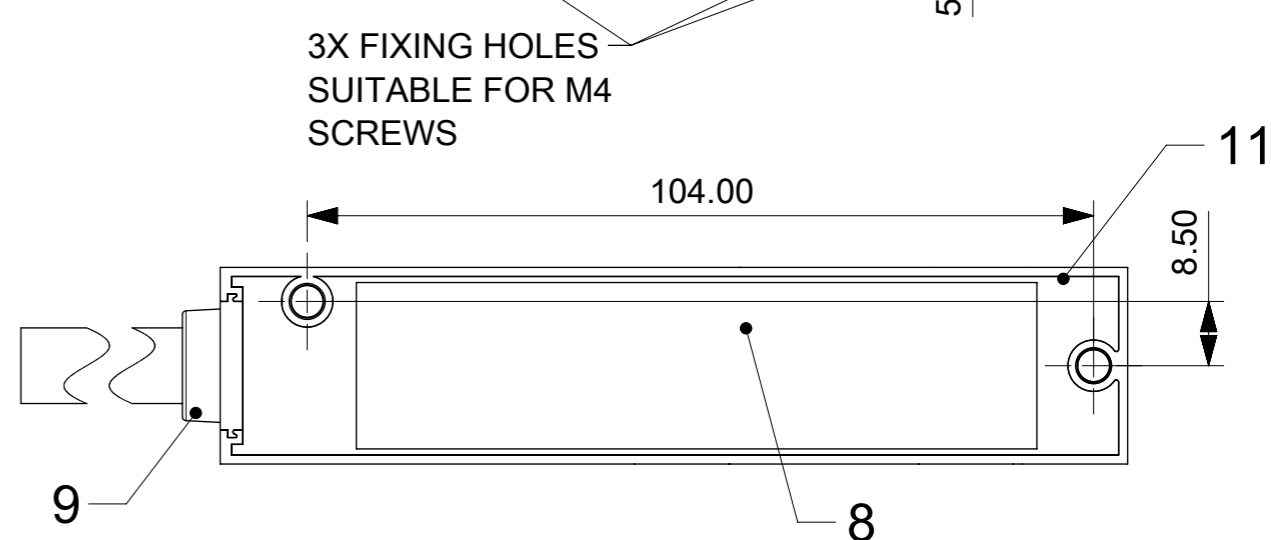
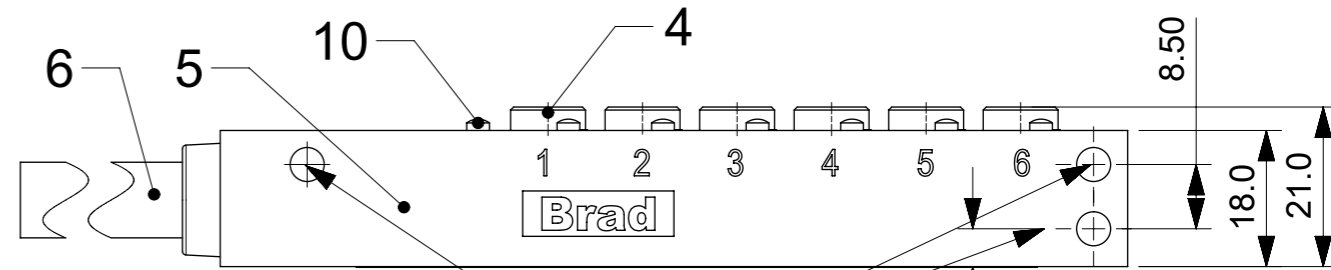
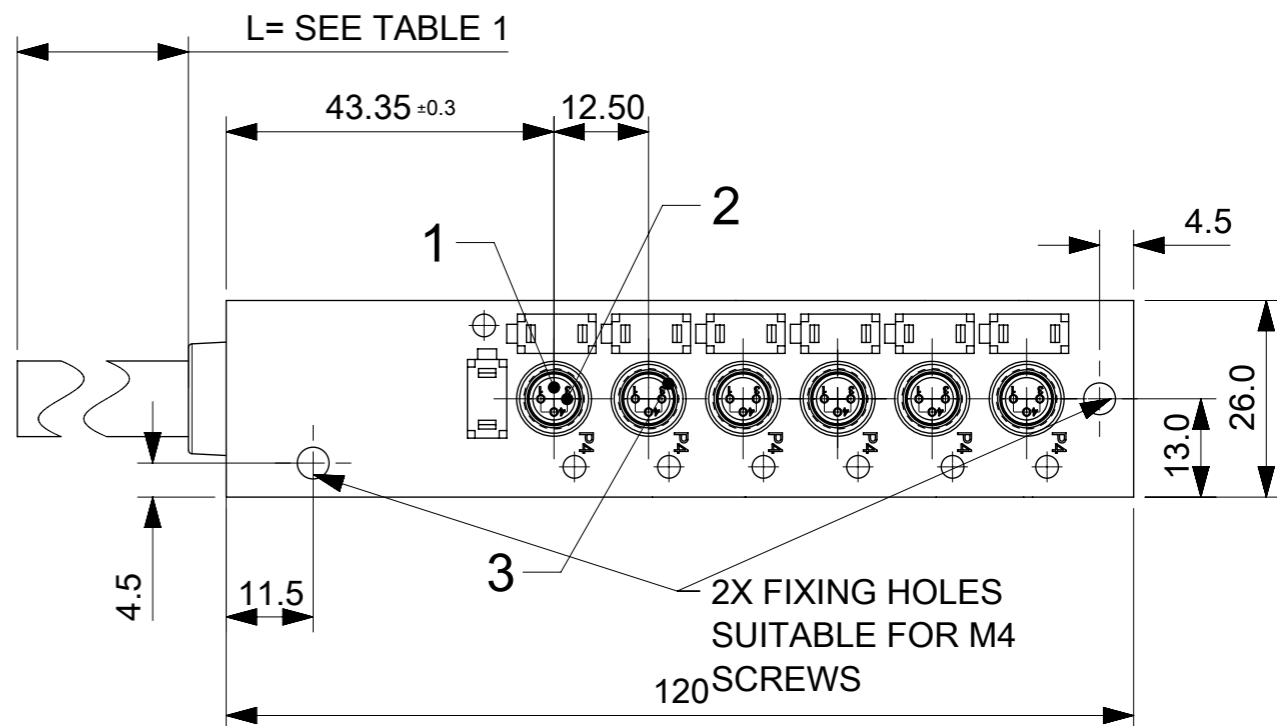
7x packed in a bag.

GENERAL CHARACTERISTICS:

NOMINAL VOLTAGE: 24 V DC
 RATED CURRENT: 2 A PER PORT / 6 A MAX: TOTAL
 IP DEGREE OF PROTECTION: IP 67
 TEMPERATURE RANGE: -25°C to + 85°C



SCALE 1:2



CABLE LENGTH TOLERANCES

LENGTH	TOLERANCE
0m-1m	+40 mm
>1m-5m	+60 mm
>5m-10m	+80 mm
>10m-20m	+140 mm
>20m-30m	+160 mm
>30m	+1% length

FUNCTIONAL SYMBOLS	THIS DRAWING CONTAINS INFORMATION THAT IS PROPRIETARY TO MOLEX ELECTRONIC TECHNOLOGIES, LLC AND SHOULD NOT BE USED WITHOUT WRITTEN PERMISSION	
$\nabla_A = 0$ $\nabla_E = 0$ $\nabla_V = 0$	DIMENSION UNITS: mm SCALE: 1:1 GENERAL TOLERANCES (UNLESS SPECIFIED): ANGULAR TOL: ± °	CURRENT REV DESC: ADDED CABLE TOLERANCE TABLE EC NO: 699789 DRWN: MDHARMANTI 2022/03/11 CHK'D: RSILLER 2022/03/17 APPR: RSILLER 2022/03/17
DIVISIONAL SYMBOLS	4 PLACES ± 3 PLACES ± 2 PLACES ± 0.2 1 PLACE ± 0.3 0 PLACES ± 0.5	INITIAL REVISION: DRWN: ULETTENMEIER 2015/06/15 APPR: RSILLER 2015/07/03
DRAFT WHERE APPLICABLE MUST REMAIN WITHIN DIMENSIONS	THIRD ANGLE PROJECTION 	DRAWING: A3-SIZE SERIES: 120247 MATERIAL NUMBER: SEE TABLE 1 CUSTOMER: GENERAL MARKET
DOCUMENT STATUS: P1 RELEASE DATE: 2022/03/17 07:03:23		PRODUCT CUSTOMER DRAWING DOCUMENT NUMBER: 1202470031 DOC TYPE: PSD DOC PART: 000 REVISION: B1 SHEET NUMBER: 1 OF 2

molex

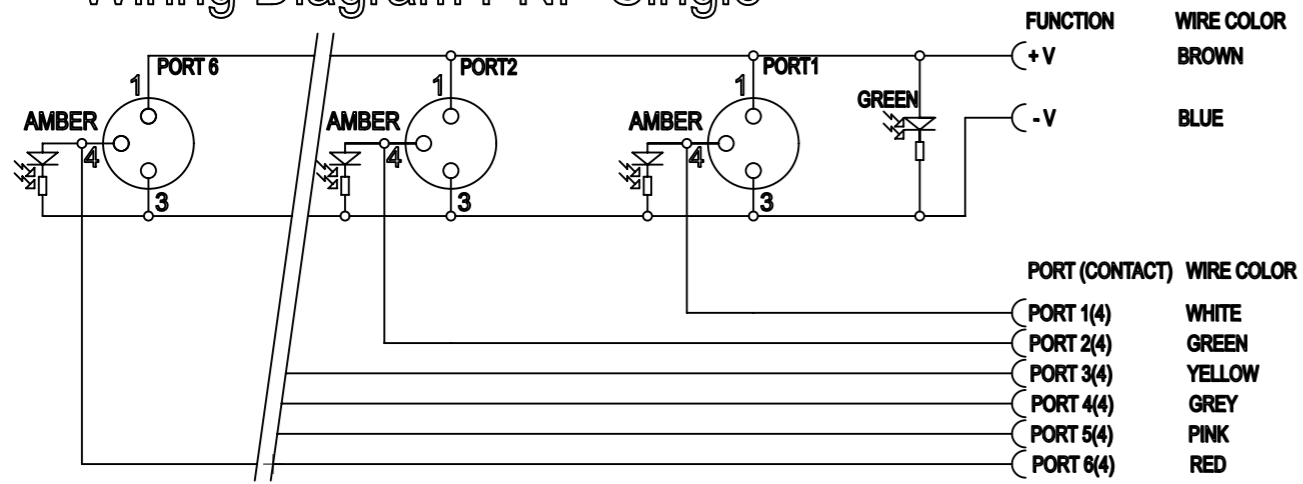
MPIS M8 PNP NOS 3P 6PT AC FE STR BK 5M SINGLE

PRODUCT CUSTOMER DRAWING

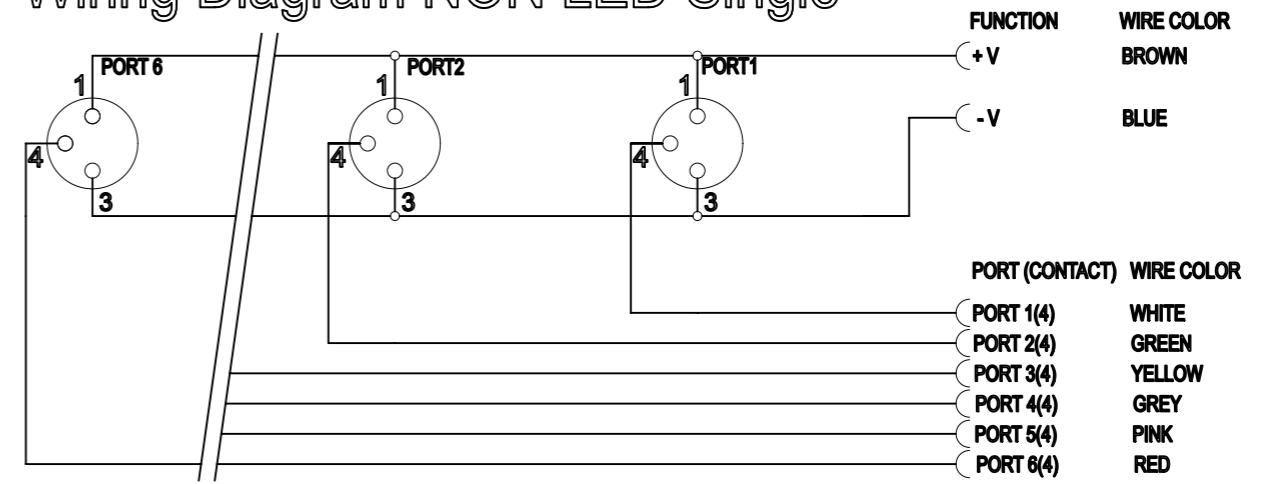
DOCUMENT NUMBER: 1202470031
 DOC TYPE: PSD
 DOC PART: 000
 REVISION: B1

MATERIAL NUMBER: SEE TABLE 1
 CUSTOMER: GENERAL MARKET
 SHEET NUMBER: 1 OF 2

Wiring Diagram PNP Single



Wiring Diagram NON LED Single



FUNCTIONAL SYMBOLS FA = 0 FE = 0 FE = 0	THIS DRAWING CONTAINS INFORMATION THAT IS PROPRIETARY TO MOLEX ELECTRONIC TECHNOLOGIES, LLC AND SHOULD NOT BE USED WITHOUT WRITTEN PERMISSION				
	mm	1:1			
DIVISIONAL SYMBOLS	GENERAL TOLERANCES (UNLESS SPECIFIED)		PRODUCT CUSTOMER DRAWING		
	ANGULAR TOL ± °		DOCUMENT NUMBER		
	4 PLACES ±	EC NO: 699789	1202470031		
	3 PLACES ±	DRWN: MDHARMANTI 2022/03/11	DOC TYPE	DOC PART	REVISION
	2 PLACES ± 0.2	CHK'D: RSILLER 2022/03/17	PSD	000	B1
1 PLACE ± 0.3	APPR: RSILLER 2022/03/17	SHEET NUMBER			
0 PLACES ± 0.5	INITIAL REVISION:	2 OF 2			
DRAFT WHERE APPLICABLE MUST REMAIN WITHIN DIMENSIONS	THIRD ANGLE PROJECTION	DRAWING	SERIES	MATERIAL NUMBER	CUSTOMER
		A3-SIZE	120247	SEE TABLE 1	GENERAL MARKET