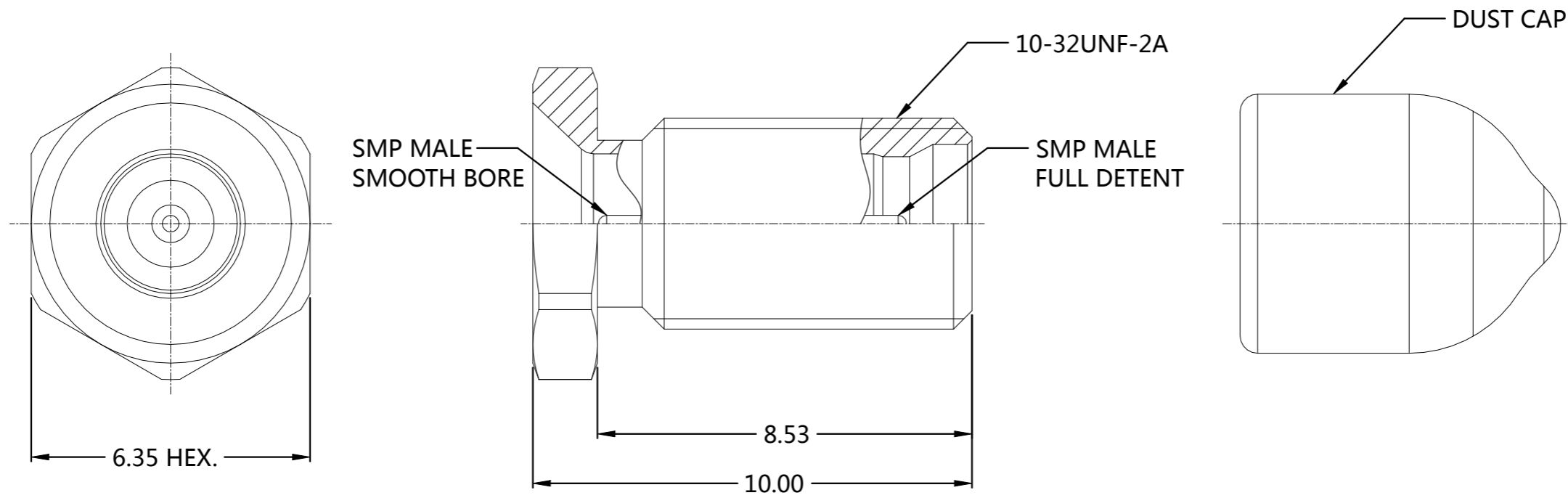


P	LTR	DESCRIPTION	DATE	DWN	APVD
	A	REVISED PER ECN-22-147532	06APR2022	RZ	WK



ELECTRICAL	MECHANICAL	ENVIRONMENTAL
Impedance (Ohm) <u>50</u> Frequency Range (GHz) <u>DC to 40GHz</u> Voltage Rating (Peak) <u>@ Sea Level 175 V RMS</u> Insulation Resistance (MIN.) <u>1000 M ohms</u> Contact Resistance (Milliohms MAX) Center Contact <u>6.0</u> Outer Contact <u>2.0</u> Dielectric Withstand Voltage: <u>500 V RMS Max</u> Insertion Loss : <u>0.1*SQRT(F) dB</u> VSWR: <u><1.25 @ DC~18GHz</u> <u><1.35 @ 18~26.5GHz</u> <u><1.50 @ 26.5~40GHz</u> RF leakage: <u>N/A</u>	Interface Dimension MIL-STD-348B Fig. <u>326-2</u> Fig. <u>326-4</u> Force to Engage (lbs) Full Detent 15.0 Max Limited Detent 10.0 Max Smooth Bore 2.0 Max Force to Disengage (lbs) Full Detent 5.0 Max Limited Detent 2.0 Max Smooth Bore 0.5 Max Center Contact Captivation Axial (Lbs) <u>1.5</u> Radial (In/Oz) <u>N/A</u> Cable Retention Axial (Lbs) <u>N/A</u> Mating cycles <u>100 cycles</u>	TEMPERATURE RANGE <u>-40°C TO + 125°C</u> THERMAL SHOCK <u>MIL-STD-202, METH.107, COND.B</u> CORROSION <u>MIL-STD-202, METH.101, COND.B</u> VIBRATION <u>MIL-STD-202, METH.204, COND.D</u> SHOCK <u>MIL-STD-202, METH.213, COND.I</u> MOISTURE RESISTANCE <u>MIL-STD-202, METH.106.</u> ROHS <u>COMPLIANT</u>

QUANTITY PER ASSY	PARTS LIST
1	- PVC CAP 4
1	PASSIVATION SST BODY 3
1	- PEI INSULATION 2
1	Au20u" BeCu CENTER CONTACT 1
-1	PLATING MATERIAL DESCRIPTION ITEM

THIS DRAWING IS A CONTROLLED DOCUMENT.

DWN	RANDY Z	16FEB2022
CHK	ERIC D	16FEB2022
APVD	WENKE H	16FEB2022

NAME: ADAPTER, SMP PLUG TO SMP PLUG

SIZE	CAGE CODE	DRAWING NO	RESTRICTED TO
A3	00779	C-2406828	-

CUSTOMER DRAWING SCALE 1:1 SHEET 1 OF 1 REV A