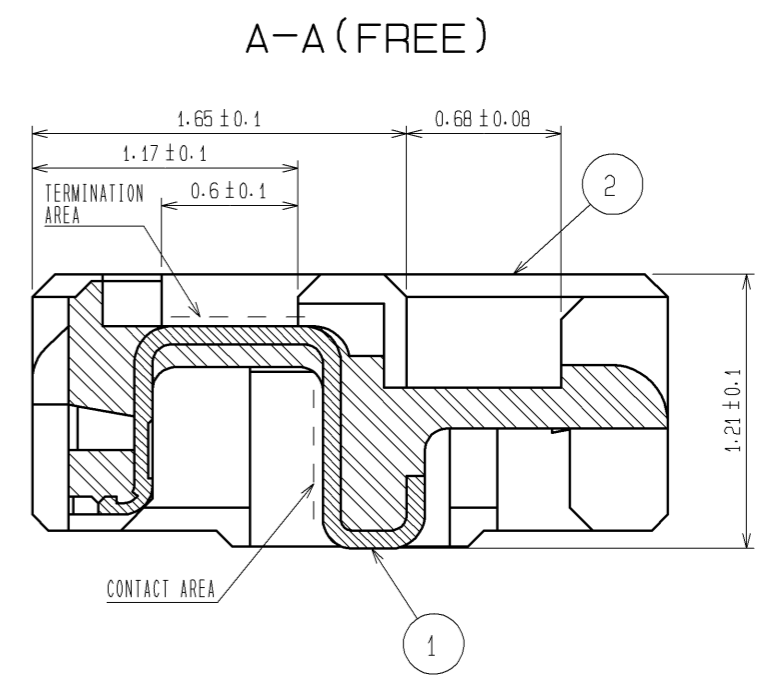
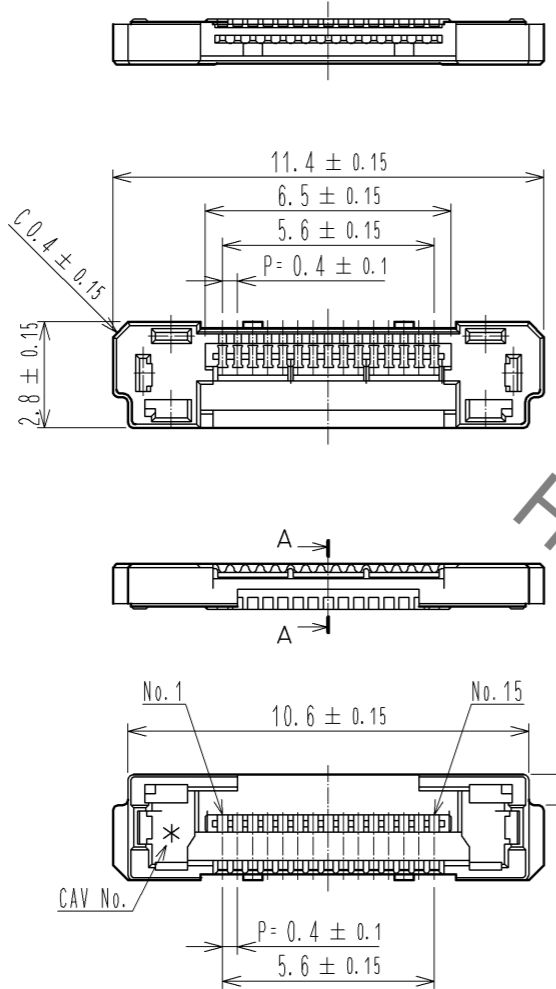
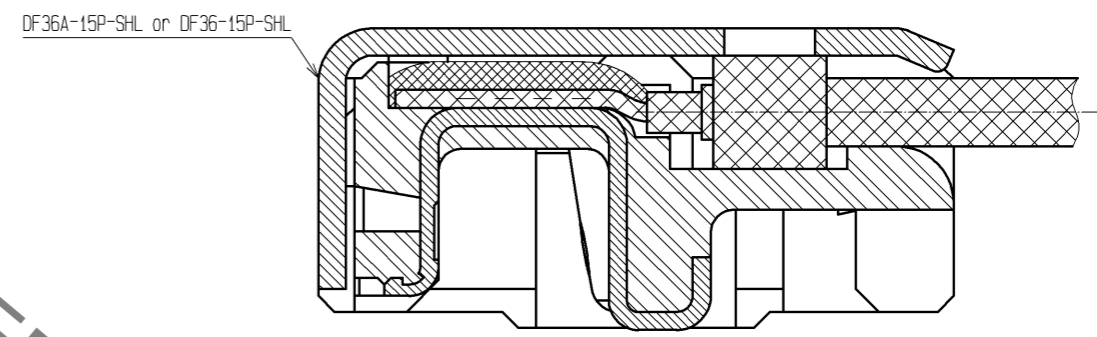


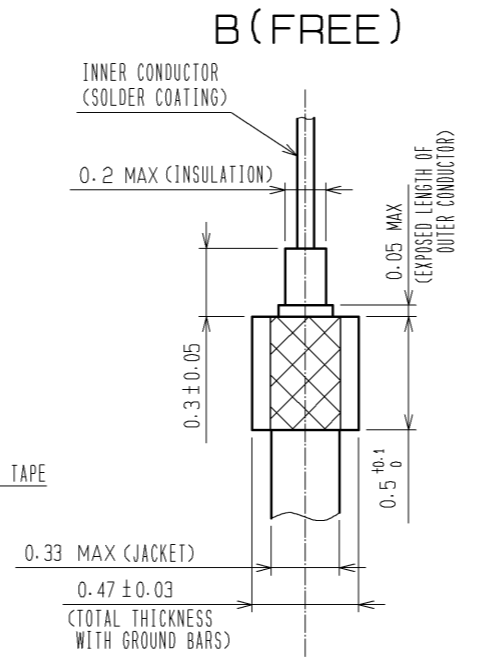
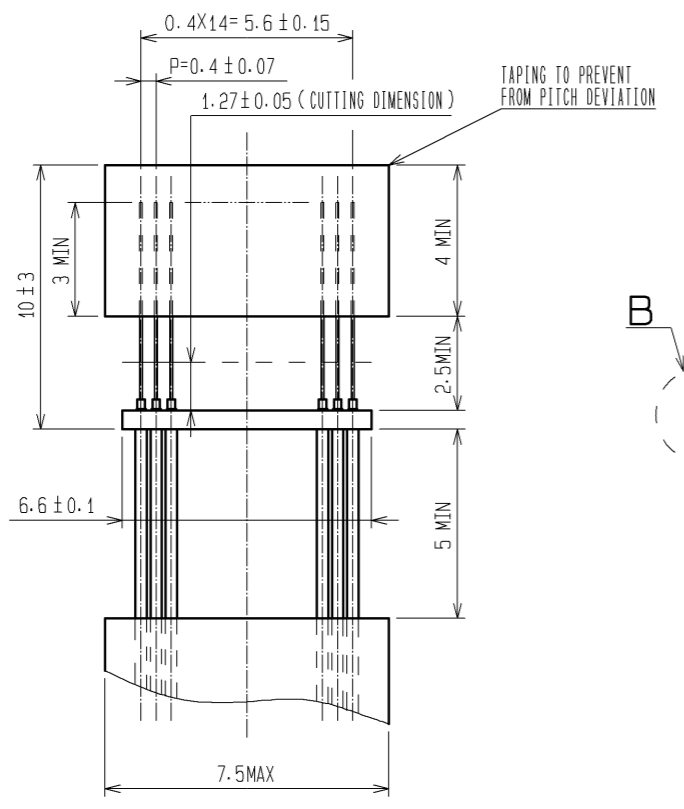
May.1.2023 Copyright 2023 HIROSE ELECTRIC CO., LTD. All Rights Reserved.
In case of consideration for using Automotive equipment / device which demand high reliability, kindly contact our sales window correspondents.



CABLE TERMINATION FIGURE (FREE)



RECOMMENDED CABLE SUBASSEMBLY



NOTES 1. APPLICABLE CABLE: THIN COAXIAL CABLE (AWG#42-AWG#46)
2. THIS CONNECTOR IS NOT HOT PLUGGABLE. MATE AND UNMATE WHILE THE POWER IS OFF.
3. THE ASSEMBLY IS COMPLETED BY COMBINING TWO PARTS "CONNECTOR UNIT AND METAL SHIELDING". REFER TO THE TABLE FOR EACH ITEM No., PART NAME, PART No. AND CODE No. APPLICABLE SHELL IS DIFFERENT DEPENDING ON THE PART No. OF MATED CONNECTOR. USE DF36A-15P-SHL FOR DF36A-15S-0.4V(**), USE DF36-15P-SHL FOR DF36-15S-0.4V(**).

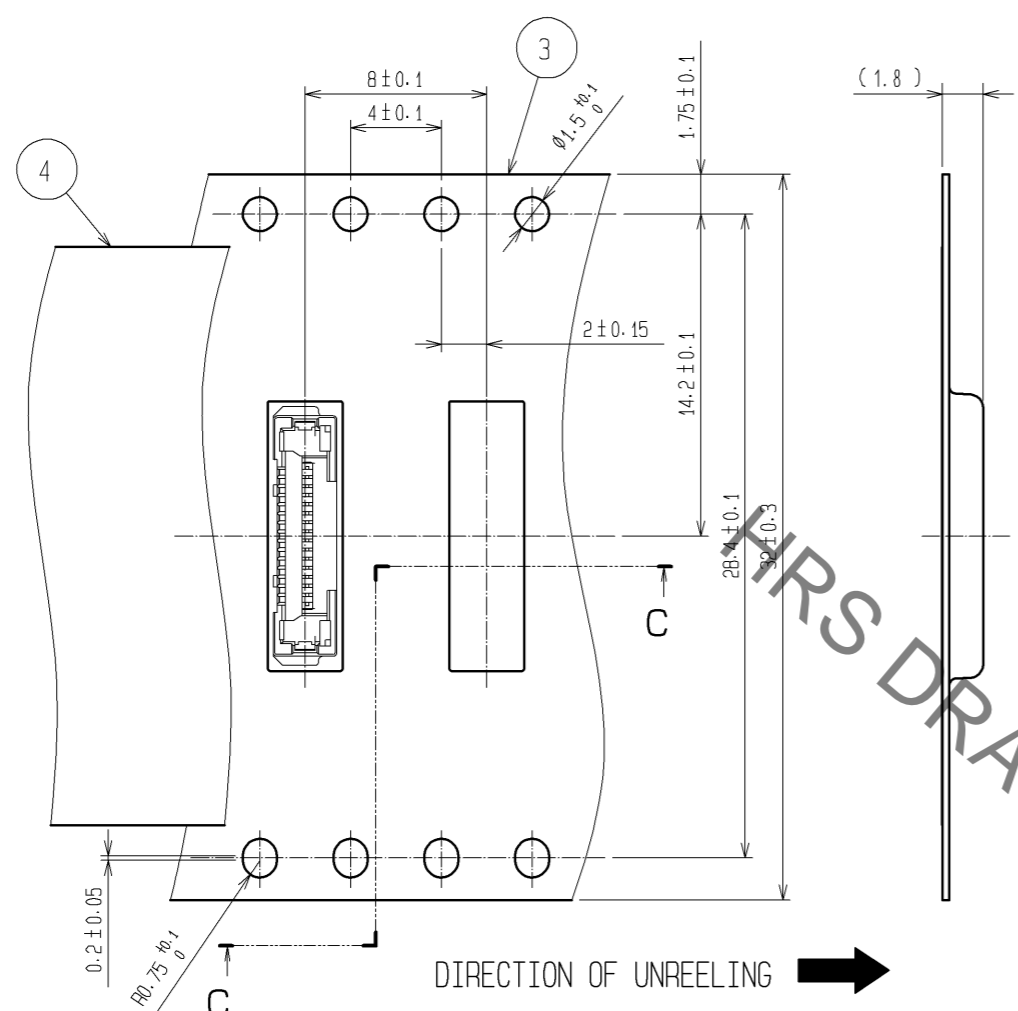
ITEM No.	PART NAME	PART No.	CODE No.
1, 2	CONNECTOR UNIT	DF36C-15P-0.4SD(55)	CL662-4035-2-55
-	METAL SHIELDING	DF36A-15P-SHL	CL662-4511-7-00
-	METAL SHIELDING	DF36-15P-SHL	CL662-4526-1-00

4. BLACK MARKS MAY OCCASIONALLY OCCUR IN MOLD RESIN, YET THEY NOT AFFECT CONNECTOR QUALITY.

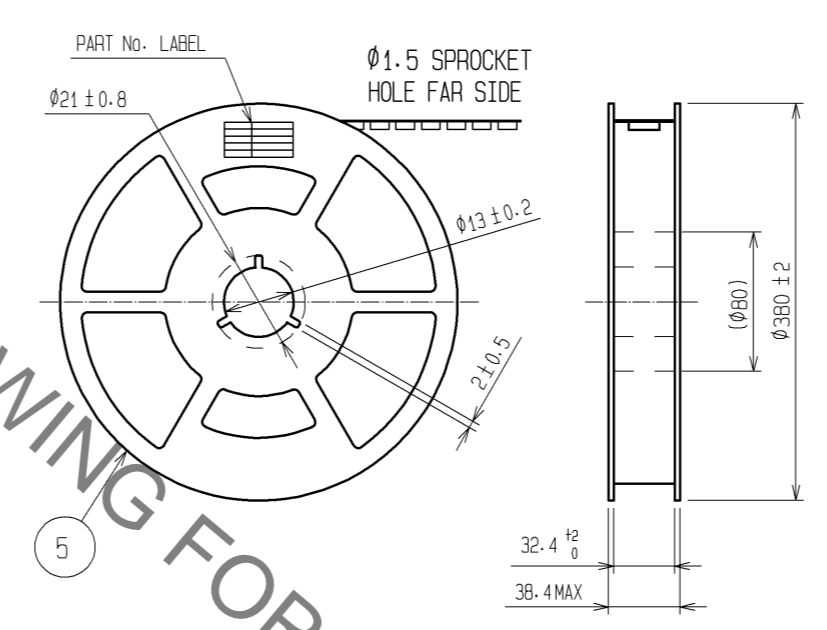
NO.	MATERIAL	FINISH	REMARKS	NO.	MATERIAL	FINISH	REMARKS
2	LCP		UL94V-0 . BEIGE	5	PS		BLACK
1	PHOSPHOR BRONZE	CONTACT AREA	: GOLD PLATING 0.1µm min	4	POLYESTER		CLEAR
		TERMINATION AREA	: GOLD PLATING 0.1µm min	3	PS		CLEAR
		UNDER PLATING	: NICKEL PLATING 1µm min				

UNITS	SCALE	COUNT	DESCRIPTION OF REVISIONS	DESIGNED	CHECKED	DATE
mm	5 : 1	△				
APPROVED : MH. YAMANE			14.05.27	DRAWING NO. EDC3-320250-02		
CHECKED : MH. TSUCHIDA			14.05.27	PART NO. DF36C-15P-0.4SD(55)		
DESIGNED : AH. MIYAZAKI			14.05.26	CODE NO. CL662-4035-2-55		
DRAWN : AH. MIYAZAKI			14.05.26	△ 1/2		

May.1.2023 Copyright 2023 HIROSE ELECTRIC CO., LTD. All Rights Reserved.
 In case of consideration for using Automotive equipment / device which demand high reliability, kindly contact our sales window correspondents.



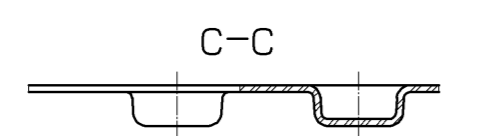
STYLE AND DIMENSION OF REEL (FREE)



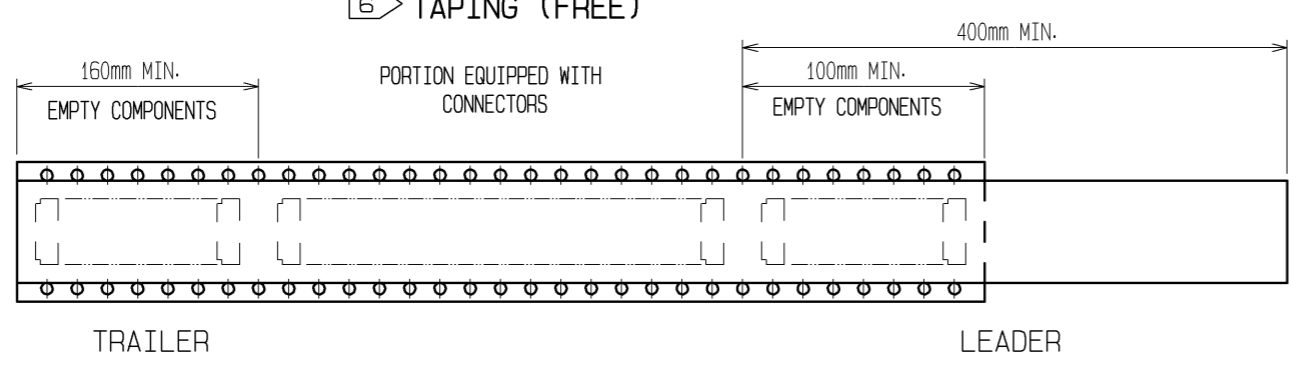
DETAIL OF PART No. LABEL

生産月日	年 月 日
製品コード	CL662-4035-2-55
製品名	DF36C-15P-0.4SD(55)
納入数量	500pcs
納入者	ヒロセ電機(株)

_____ SUPPLIER
 _____ QUANTITY
 _____ PART No.
 _____ CODE No.
 _____ DATE OF MANUFACTURED



6 TAPING (FREE)



- NOTES
- PER REEL: 500 COMPONENTS.
 - REFER TO JIS C 0806. (PACKAGING OF COMPONENTS FOR AUTOMATIC HANDLING)
 - THE DIMENSIONS IN PARENTHESES ARE FOR REFERENCE.

HRS	DRAWING NO.	EDC3-320250-02
	PART NO.	DF36C-15P-0.4SD(55)
	CODE NO.	CL662-4035-2-55
		△ 2/2