

GlobTek, Inc. www.globtek.com 186 Veterans Drive, Northvale, NJ 07647 Tel. (201) 784-1000 Fax (201) 784-0111	Drawing Title: WATERPROOF JACK, 2 PIN MALE, MATES TO GLOBTEK KF2 CABLE ASSEMBLIES	
	Model No. <a href="#">Connector</a>	
	Part No./Ordering No. <a href="#">JACK-KM2-PANEL-BK(R)</a>	Rev B

In Addition to GlobTek Inc.'s renewed ISO9001:2008 - Quality Management System Certification, GlobTek Inc. is now certified to:

- ISO13485:2003 - Medical Devices Quality Management System Certification
- ISO14001:2004 - Environmental Management System Certification

ISO Certificates are available online at <http://www.globtek.com/iso-certificates/>

The acceptance of this specification and use of the product described in this document indicates the acceptance and binding of the customer to Globtek TERMS AND CONDITIONS (attached to the end of this document), which supersede all other agreements, terms, and conditions (<http://en.globtek.com/terms-and-conditions/>).

Prop 65 Statement: <https://en.globtek.com/prop-65-statement.pdf>

Footnote:

GlobTek Inc. will not be liable for the safety and performance of these power supplies if unauthorized access and repair occurs. End user should consult applicable UL, CSA or EN standards for proper installation instruction.

Limitation of Use:

GlobTek products are intended for use with commercial, medical, and/or industrial equipment only. GlobTek product are not authorized for use as mission critical components in life support hazardous environment, nuclear or aircraft applications without prior written approval from the CEO of GlobTek Inc.

Contents of this document are subject to change without prior notice.

#### Customer Approval of Specification:

Please approve, sign and send back to GlobTek so we can complete order processing.

A delay in receipt of this form will delay delivery schedule.

Company Name: _____	Customer P/N: _____
Quote Number: _____	Date: _____
Authorized Representative Name: _____	Authorized Representative Signature: _____

GlobTek, Inc. www.globtek.com 186 Veterans Drive, Northvale, NJ 07647 Tel. (201) 784-1000 Fax (201) 784-0111	Drawing Title: WATERPROOF JACK, 2 PIN MALE, MATES TO GLOBTEK KF2 CABLE ASSEMBLIES	
	Model No. <a href="#">Connector</a>	Part No./Ordering No. <a href="#">JACK-KM2-PANEL-BK(R)</a>

## REVISION HISTORY

REV	DESCRIPTION	SUB	DATE	APPROVED
B	Update connector color from RAL9001 to RAL9011	QA	03/15/2021	QA
A	Initial release	DR	02/09/2021	DAVID

3D CAD FILE:

[https://www.globtek.com/dl/JACK-KM2-PANEL-BK\(R\)%20451-02180341\(R\).stp](https://www.globtek.com/dl/JACK-KM2-PANEL-BK(R)%20451-02180341(R).stp)

AGENCY ONLINE DOCUMENTS

RoHS/RoHS3 Declaration [https://www.globtek.com/pdf/rohs\\_cert/01t3a000005D7iNAAS](https://www.globtek.com/pdf/rohs_cert/01t3a000005D7iNAAS)

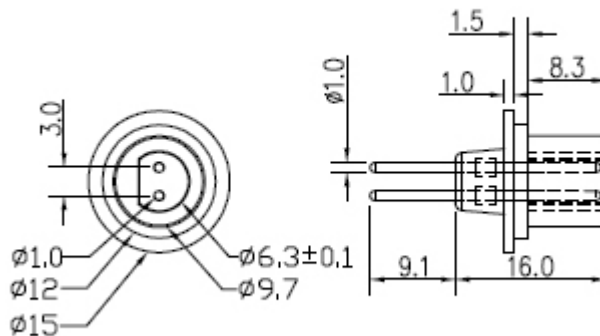
REACH Declaration [https://www.globtek.com/pdf/iso\\_certificates/REACH.pdf](https://www.globtek.com/pdf/iso_certificates/REACH.pdf)

Conflict Minerals Declaration <https://www.globtek.com/pdf/conflict-minerals.pdf>

Prop 65 Statement <https://en.globtek.com/prop-65-statement.pdf>

IPXY rating is based on 3rd party testing and customers should check suitability and test system level IPXY rating before ordering.

Mechanical Parameters:



Color: Black, RAL 9011

Electrical parameters:

1. Current Rating: 1A/PIN
2. Current Voltage: 24V MAX
3. Contact Impedance: 40mOHM MAX
4. Insulation Resistance: 100MOHM MIN
5. Withstanding Voltage: 100V AC for one minute
6. Operating Temperature: -20~50°C
7. Fire Rating: VW-1

Other colors available upon request:

PROPRIETARY INFORMATION

PROPRIETARY OF GLOBTEK, INC. ANY REPRODUCTION, DISCLOSURE OR USE OF THIS DRAWING, IN WHOLE OR IN PART, IS HEREBY PROHIBITED EXCEPT AS SPECIFIED IN WRITING BY GLOBTEK, INC. © GlobTek, Inc. 2021 - 2023

quest /05/15/2023 10:51:25 AM

<p>GlobTek, Inc.  www.globtek.com  186 Veterans Drive,  Northvale, NJ 07647  Tel. (201) 784-1000  Fax (201) 784-0111</p>	Drawing Title: WATERPROOF JACK, 2 PIN MALE, MATES TO GLOBTEK KF2 CABLE ASSEMBLIES	
	Model No. <a href="#">Connector</a>	
	Part No./Ordering No. <a href="#">JACK-KM2-PANEL-BK(R)</a>	Rev B

Grey, RAL 7001  
Orange, RAL 2011  
Blue, RAL 5010  
Green, RAL 6016

[Mates with GlobTek IP68 Waterproof cables line \(Click this for more info\)](#)

GlobTek, Inc. www.globtek.com 186 Veterans Drive, Northvale, NJ 07647 Tel. (201) 784-1000 Fax (201) 784-0111	Drawing Title: WATERPROOF JACK, 2 PIN MALE, MATES TO GLOBTEK KF2 CABLE ASSEMBLIES	
	Model No. <a href="#">Connector</a>	Part No./Ordering No. <a href="#">JACK-KM2-PANEL-BK(R)</a>
		Rev B

**PACKAGING**

Packing Spec P/N: _____	
Box Qty:	TBD
Gift Box Size (mm): _____	
Gift Box Color:	White
Master Carton Size (mm): TBD	
Master Carton Cubic Volume (m³):	0.00
Master GW (Kg):	kg
wt Ea. (Kg):	kg
wt Ea. (Kg):	kg
LABEL SPECS: _____ , _____	
PACK SPEC: _____	