

4

3

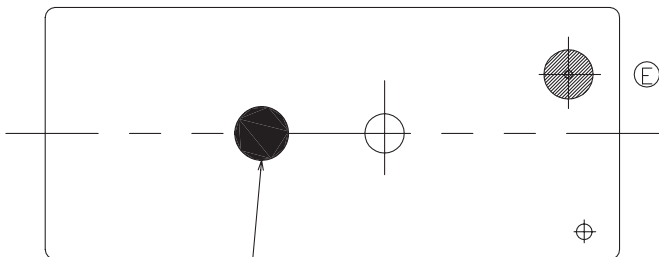
2

1

© - TE Connectivity. All Rights Reserved.

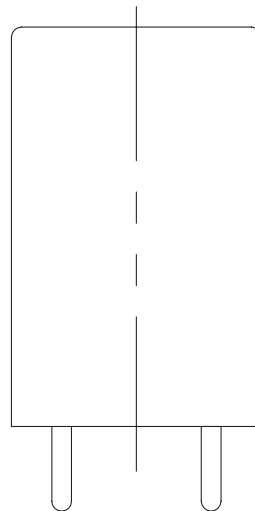
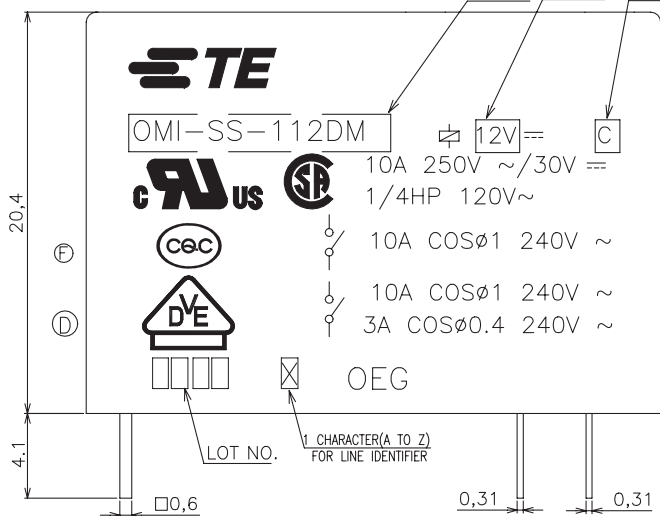
REVISIONS

P	LTR	DESCRIPTION	DATE	DWN	APVD
	F	CHANGE BASE MATERIAL TO PBT, DIMENSION CHANGE, CANCEL SEMKO EON-21-111227	15-JUL-21	XR.L	K.T

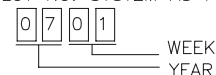


DOT MARK:BLACK

PART A PART B C:MADE IN CHINA



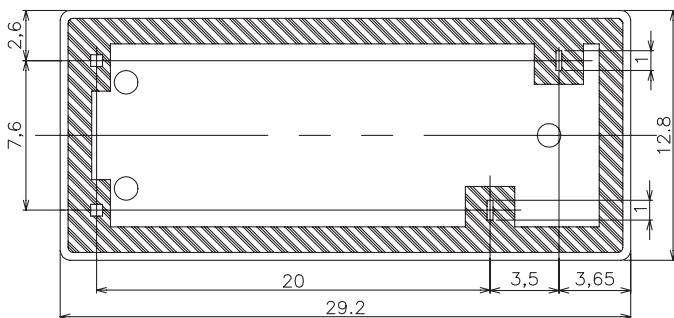
- NOTES:
 1.-SS-:PLASTIC SEALED TYPE
 2.LOT NO. SYSTEM AS FOLLOWING:



- 3.GENERAL TOLERANCE AS FOLLOWING:

TOLERANCE	
0~0.99mm	±0.1
1mm~2.99mm	±0.2
3mmMIN.	±0.3

- ④ 4.TERMINAL DIMENSION IS NOT INCLUDING SOLDER TIP.
 FOR THE TIN-PLATING OF THE PINS:
 +0.1mm FOR WIDTH,THICKNESS AND DIAMETER.
 +0.5mm FOR LENGTH.



THIS DRAWING IS A CONTROLLED DOCUMENT.

DIMENSIONS:
mm

TOLERANCES UNLESS OTHERWISE SPECIFIED:



0 PLC	± -
1 PLC	± -
2 PLC	± -
3 PLC	± -
4 PLC	± -
ANGLES	± -
FINISH	± -

MATERIAL

-

DWN

H.SASAKI

CHK

Y.OIKAWA

APVD

A.NAGAI

PRODUCT SPEC

APPLICATION SPEC

WEIGHT

-

CUSTOMER DRAWING



TE Connectivity

NAME

OMI-SH-LM SPEC,095 CUSTOMER DRAWING

SIZE

A3

CAGE CODE

00779

DRAWING NO

©=9-1419121-4

RESTRICTED TO

-

SCALE 1:1

SHEET 1 OF 2

REV F

4

3

2

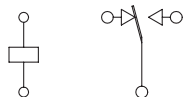
1

© - TE Connectivity. All Rights Reserved.

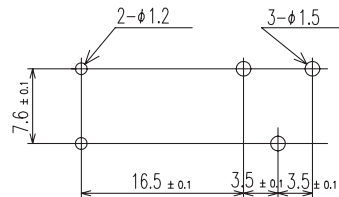
REVISIONS

P	LTR	DESCRIPTION	DATE	DWN	APVD

CONNECTION DIAGRAM (BOTTOM VIEW)



DRILLING DIAGRAM(2/1) (BOTTOM VIEW)



9-1419121-5	OMI-SH-109LM	9V	OMI-SH-109LM
9-1419121-4	OMI-SH-105LM	5V	OMI-SH-105LM
TE PART NO	TE TYPE NAME	PART B	PART A

RELAY TYPE

		EPOXY RESIN	RESIN	17
UL94 V-0		PBT	CASE	16
		—	TAPE	15
CLASS E		UEW	MAGNETIC WIRE	14
UL94 V-0		PBT ⊕	BASE	13
UL94 V-0		PBT	BOBBIN	12
	SOLDER DIP	CP WIRE	COIL TERMINAL	11
UL94 V-0		PPS	CARD	10
		Ag ALLOY	MOVABLE CONTACT	9
		Ag ALLOY	STATIONARY CONTACT	8
		Cu ALLOY	HINGE SPRING	7
	SOLDER DIP	Cu ALLOY	B TERMINAL	6
	SOLDER DIP	Cu ALLOY	M TERMINAL	5
	SOLDER DIP	Cu ALLOY	MOVABLE SPRING	4
		STEEL	CORE	3
		STEEL	ARMATURE	2
		STEEL	YOKE	1
INCOMBUSTIBILITY	TREATMENT	MATERIAL	DESCRIPTION	ITEM

THIS DRAWING IS A CONTROLLED DOCUMENT.		DWN H.SASAKI			
		CHK Y.OIKAWA			
DIMENSIONS: mm		APVD A.NAGAI	NAME OMI-SH-LM SPEC,095 CUSTOMER DRAWING		
		PRODUCT SPEC —	DRAWING NO 9-1419121-4		
TOLERANCES UNLESS OTHERWISE SPECIFIED: 0 PLC ± - 1 PLC ± - 2 PLC ± - 3 PLC ± - 4 PLC ± - ANGLES ± - FINISH ± -		APPLICATION SPEC —	SIZE A3	CAGE CODE 00779	RESTRICTED TO —
MATERIAL —		WEIGHT —	DRAWING NO 9-1419121-4		
		CUSTOMER DRAWING	SCALE 1:1	SHEET 2 of 2	REV F