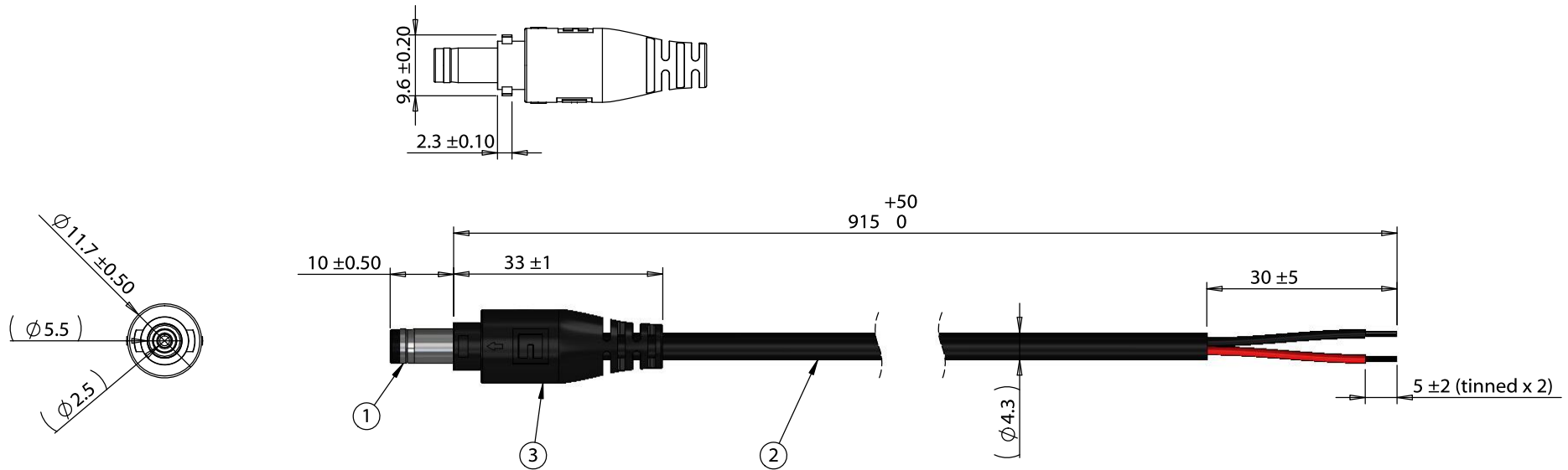


ITEM NO.	PART NUMBER	DESCRIPTION	QTY.	COMPONENT NOTES
1	50-00595	Connector, dc plug, 5.5x2.5xL20.5mm, brass nickel plated	1	
2	30-00689	Wire, 2C TS, 22 AWG, UL2464, 300V, 80C, 4.3 mm, VW-1, PVC	1	
3	24-00161	Overmold, dc plug, twistlock, PVC	1	black



**Notes:**  
 Made to mate with cable assembly: 10-02938 and 10-02980  
 Functionally equivalent components may be substituted

Wiring Diagram	
50-00595	wire color
center	red
sleeve	black

Revision:	Date:	Description:	Prepared: AW <small>Digitally signed by AW Date: 2018.10.24 10:11:33 -07'00'</small>	Notes:	<h1>TENSILITY</h1> <p>tel 1.541.323.3228 800 877.670.7118          fax 1.541.323.4202 web tensility.com</p>
A	9/19/2018	Initial release	Verified: JP <small>Digitally signed by JP Date: 2018.10.24 10:16:59 -07'00'</small>	RoHS compliant	
			Dimensions are in millimeters. Tolerances: X: ± 0.5 mm X.X: ± 0.3 mm X.XX: ± 0.05 mm	Function test: no open, no short circuit, no intermittent	
				Description:	Size: A
				Cable, 915 mm, 5.5x2.5 mm 50-00595 dc plug twist lock to 10 mm tinned, 22 AWG, UL2464	Part number: 10-02937
					Scale: 1:1
					Sheet 1 of 1

5 4 3 2 1