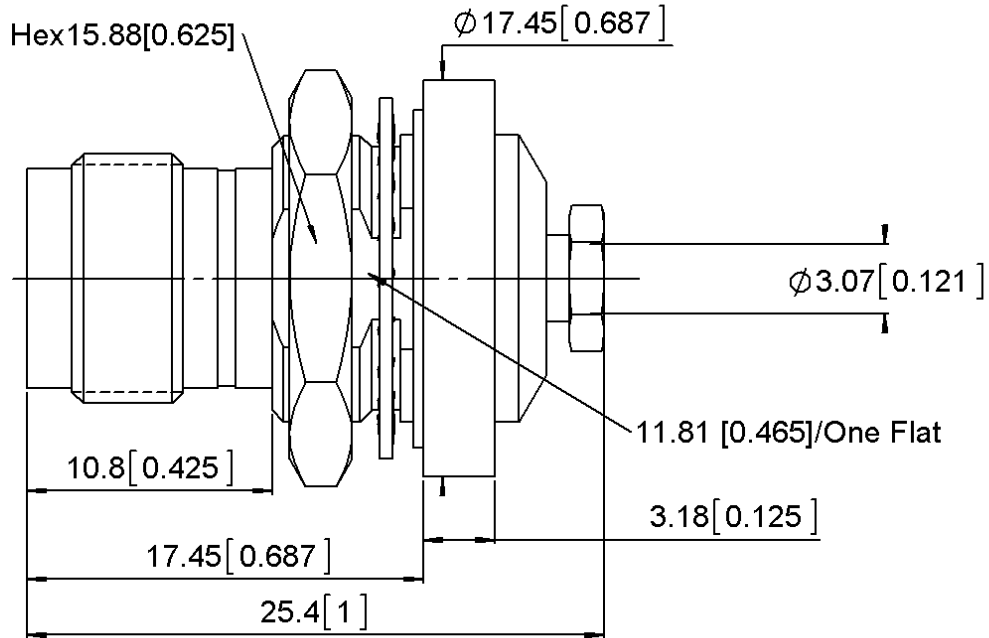
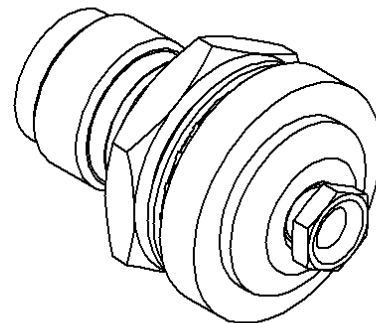
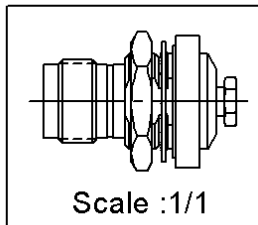


PAGE 1/2	ISSUE 20-01-17L	SERIES TNC	PART NUMBER 6001-7041-010
----------	-----------------	------------	---------------------------

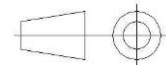


PANEL CUT OUT

mm		
	Maxi	mini
A	12.93	12.83
B	12.07	11.96



All dimensions are in mm.



COMPONENTS	MATERIALS	PLATING (µm)
Body	BRASS	NICKEL
Center contact	BERYLLIUM COPPER	GOLD
Outer contact		
Insulator	PTFE	
Gasket	SILICONE RUBBER	
Others parts	PHOSPHOR BRONZE	NICKEL
-	-	-
-	-	-

PAGE 2/2	ISSUE 20-01-17L	SERIES TNC	PART NUMBER 6001-7041-010
-----------------	------------------------	-------------------	----------------------------------

PACKAGING

Standard	Unit	Other
100	Contact us	Contact us

ELECTRICAL CHARACTERISTICS

Impedance	50	Ω
Frequency	0-6	GHz
VSWR	1.15 + 0.0000	x F(GHz) Maxi
Insertion loss	0.04	√F(GHz) dB Maxi
RF leakage	- (N/A)	- F(GHz) dB Maxi
Voltage rating	500	Veff Maxi
Dielectric withstanding voltage	100	Veff mini
Insulation resistance	5000	MΩ mini

MECHANICAL CHARACTERISTICS

Center contact retention		
Axial force – Mating End	18	N mini
Axial force – Opposite end	18	N mini
Torque	2.8	N.cm mini
Recommended torque		
Mating	N/A	N.cm
Panel nut	N/A	N.cm
Clamp nut	70	N.cm
A/F clamp nut	0.0000	mm
Mating life	500	Cycles mini
Weight	19.6300	g

ENVIRONMENTAL

Operating temperature	-65/+105	°C
Hermetic seal	N/A	Atm.cm3/s
Panel leakage	IP67	

SPECIFICATION

CABLE ASSEMBLY

Stripping	a	b	c	d	e	f
mm	0	0	0	0	0	0

Assembly instruction: **AIS-263-B**

Recommended cable(s)
KS 1

Characteristics indicated on this data sheet are those that can be achieved with the highest performance cable. Intrinsic limitations of the cable may diminish the performance of the assembly

Cable retention

- pull off	130	N mini
- torque	N/A	N.cm

TOOLING

Part Number	Description	Hexagon
.	.	.

OTHER CHARACTERISTICS