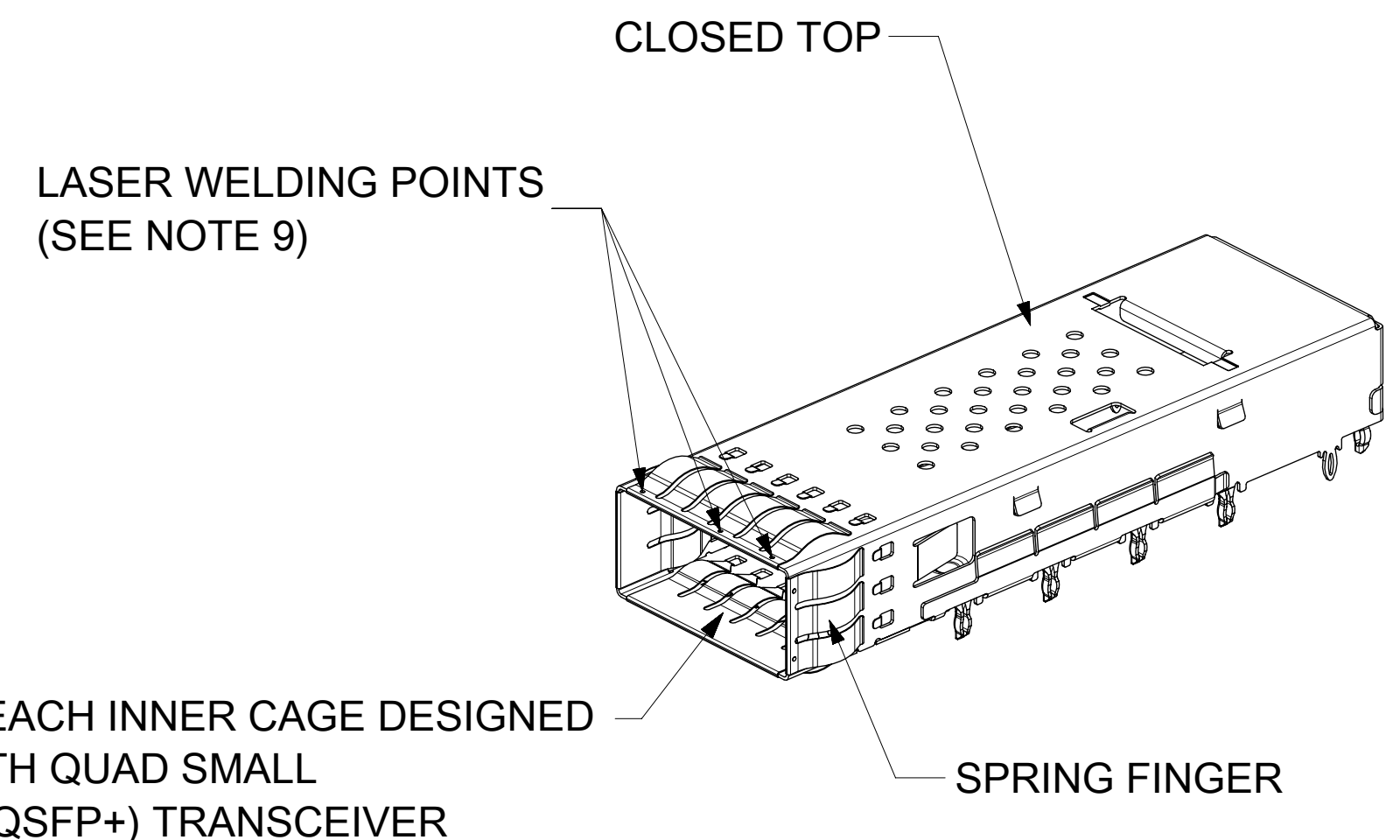
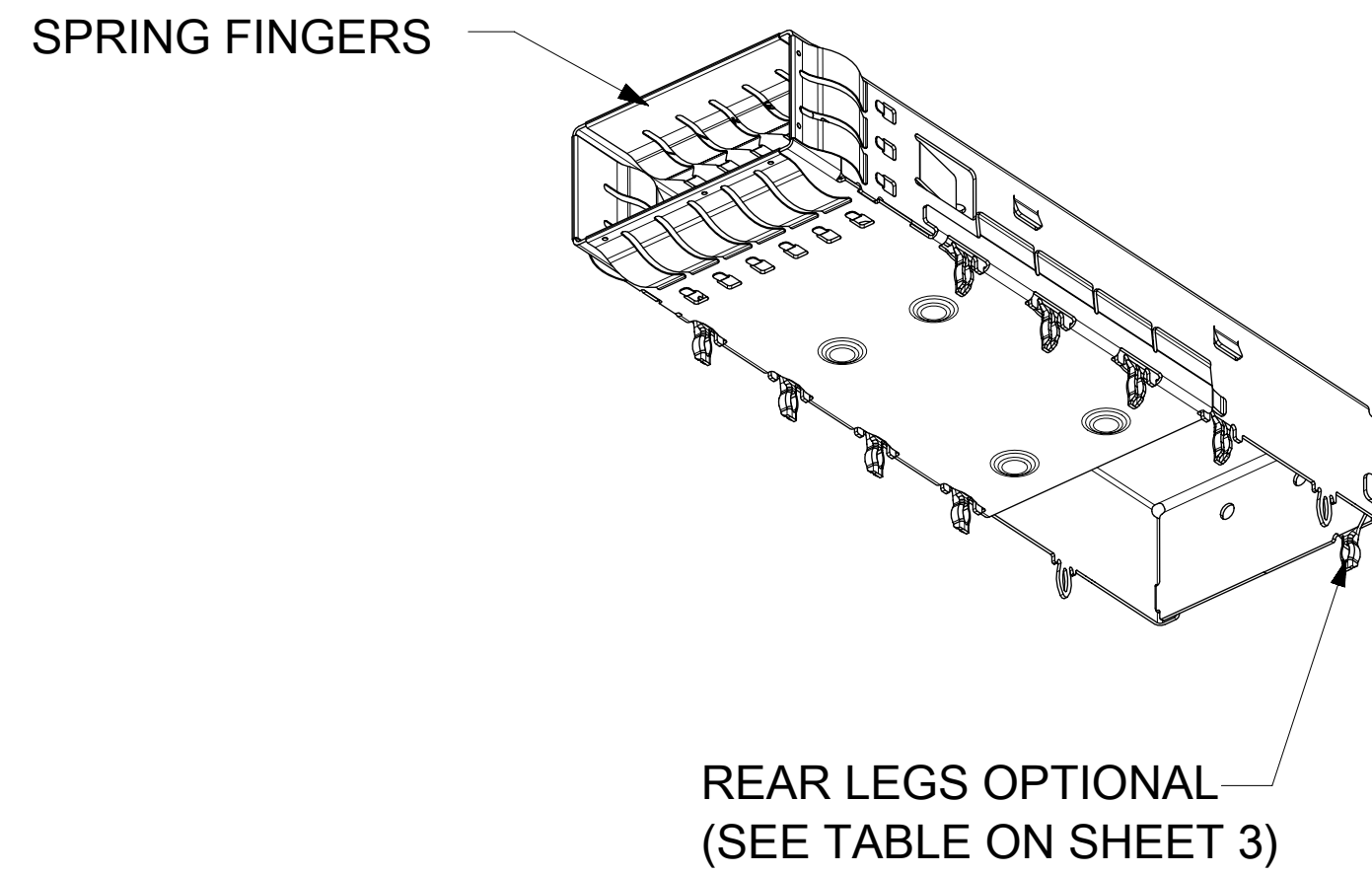
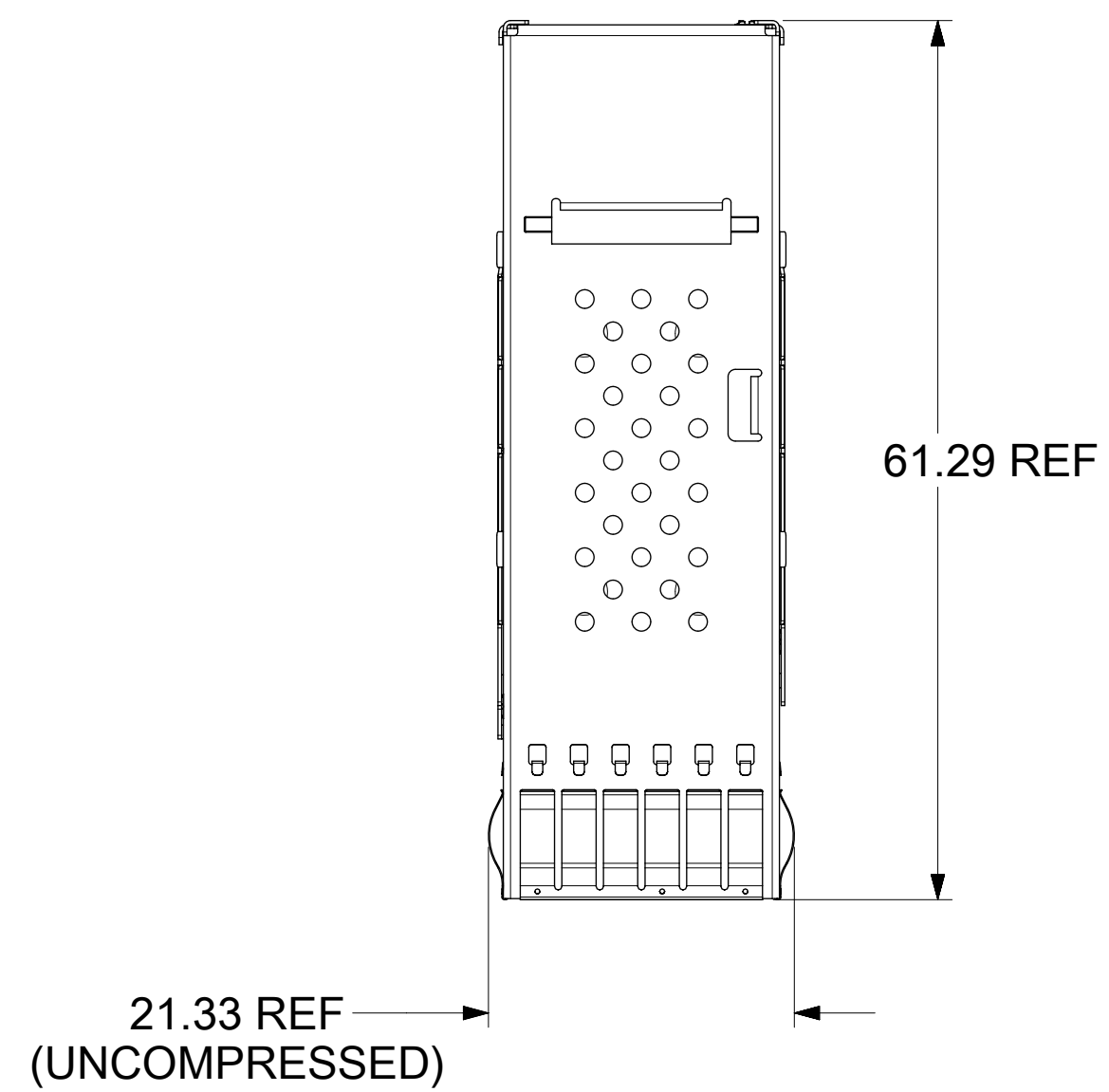


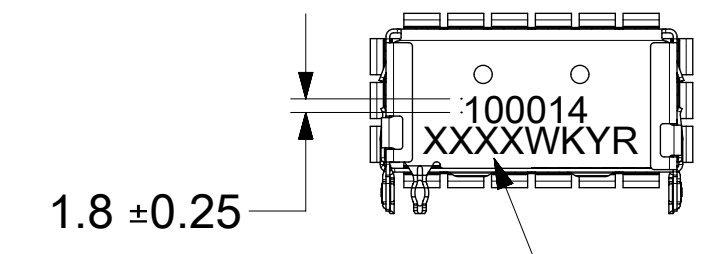
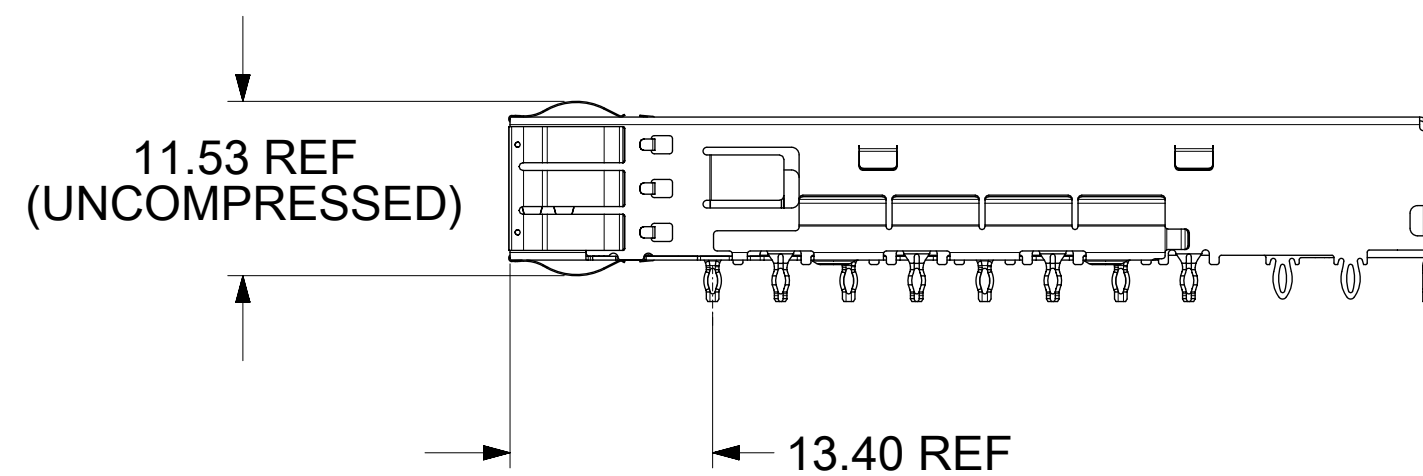
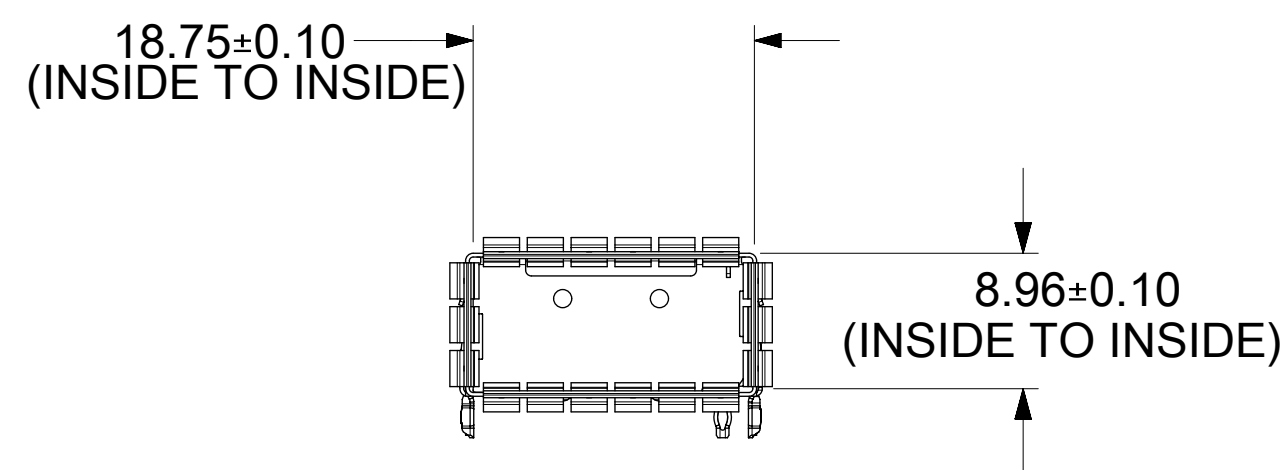
BASE CAGE DETAILS

1000143242

SHOWN



DIMENSIONS OF EACH INNER CAGE DESIGNED TO FUNCTION WITH QUAD SMALL FORM-FACTOR (zQSFP+) TRANSCEIVER



1.8 ±0.25

P/N AND WEEK/YEAR DATE CODE TO BE PRINTED ON BACK OF COMPLETED CAGE ASSEMBLY APPROXIMATELY AS SHOWN. SEE TABLE BELOW FOR DATE CODE INFORMATION.

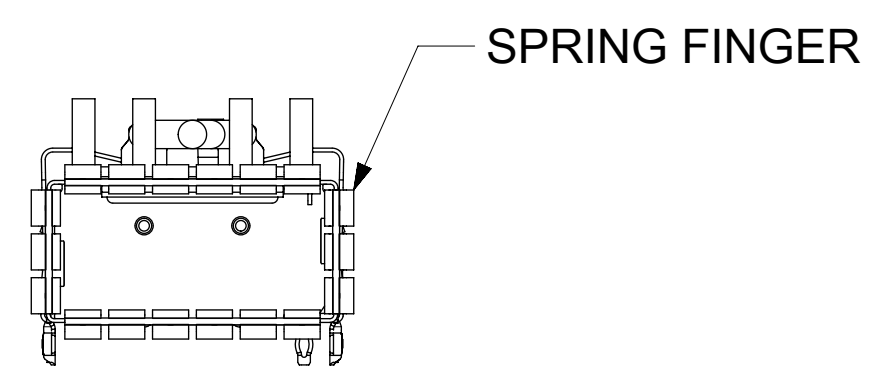
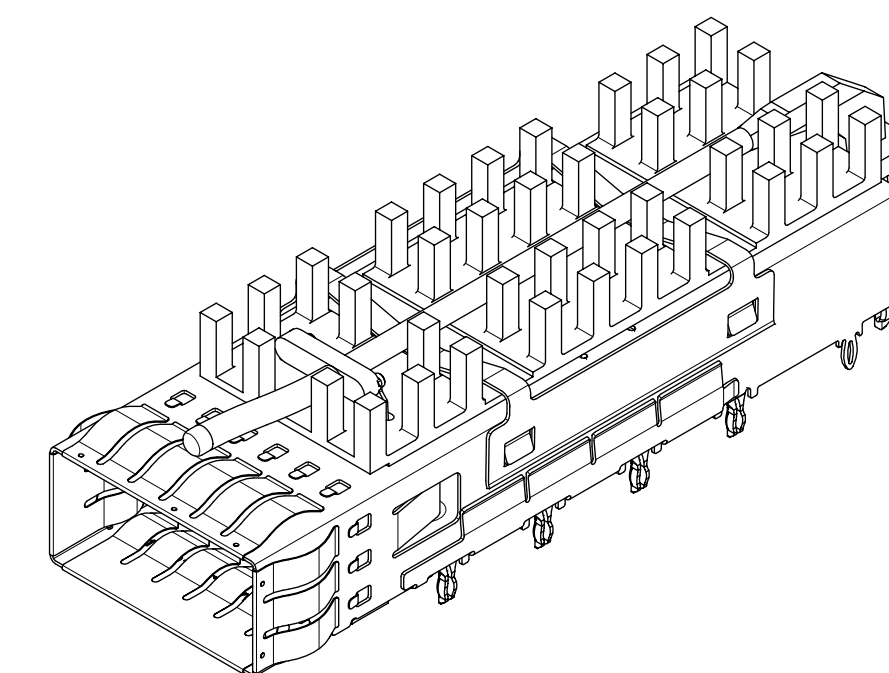
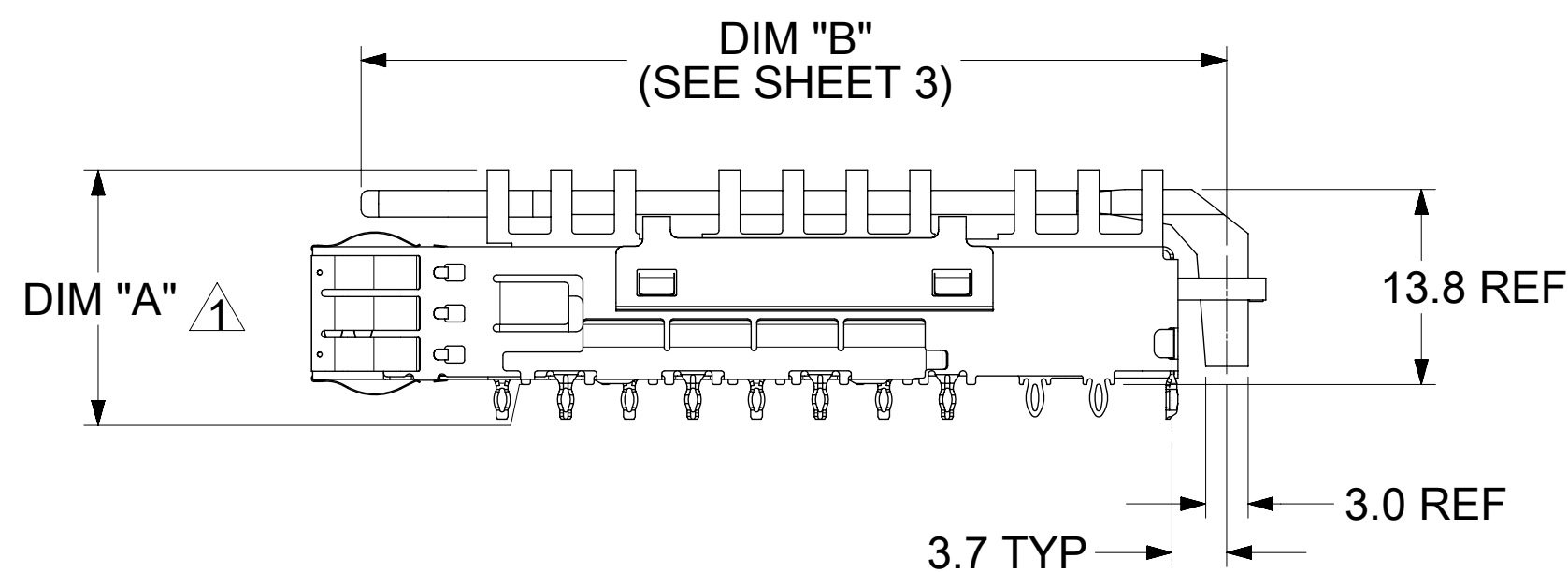
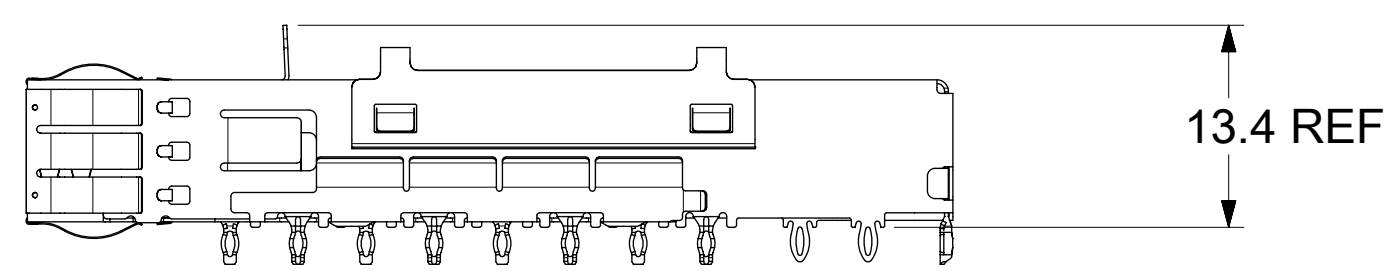
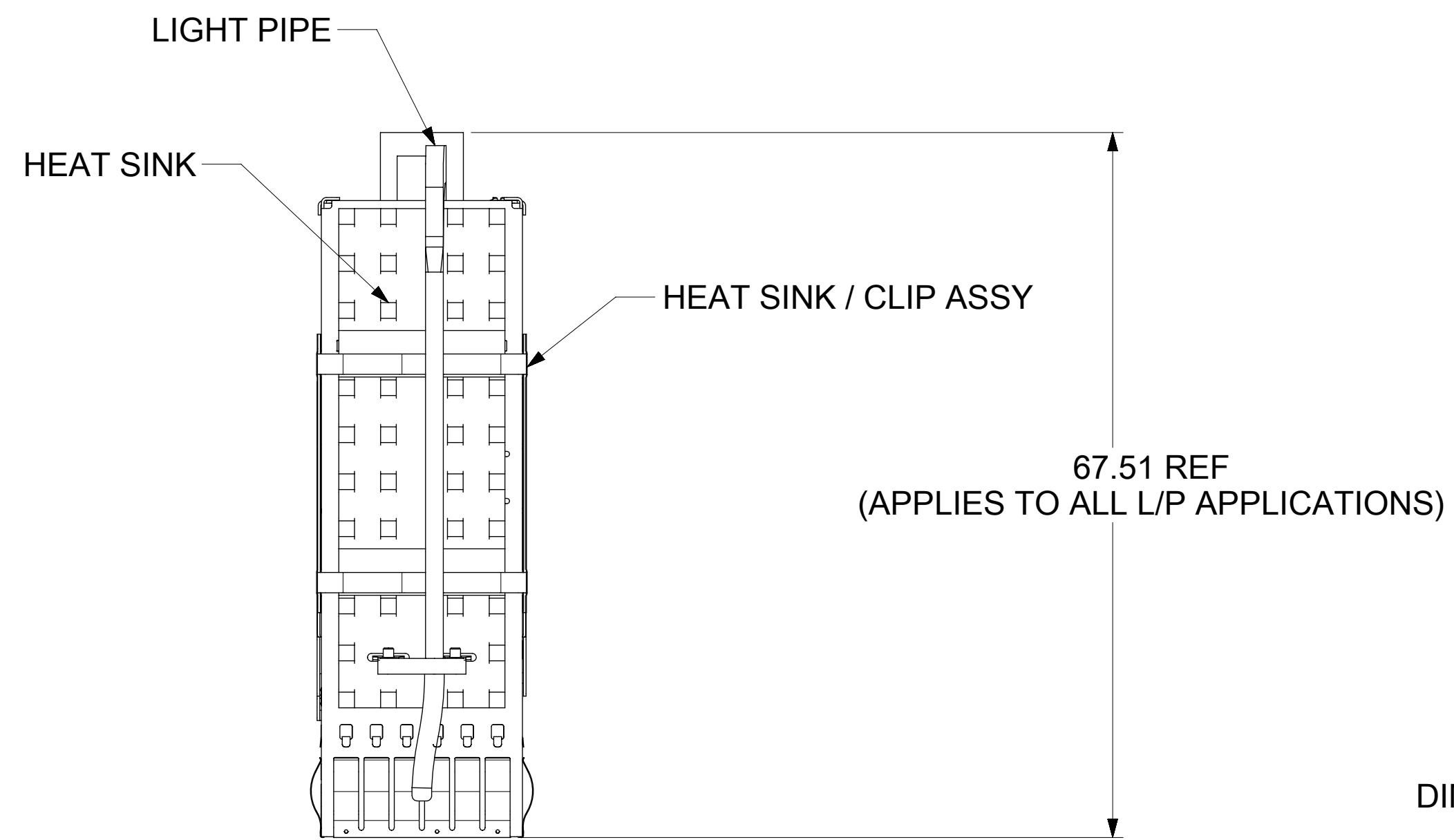
- NOTES:
- MATERIAL: CAGE: STAINLESS STEEL
SPRING FINGERS: STAINLESS STEEL
HEAT SINKS: NICKEL PLATED ALUMINUM
HEAT SINK CLIP: STAINLESS STEEL
LIGHT PIPES: POLYCARBONATE (UL 94-V-0)
 - DIMENSIONS MARKED ARE CRITICAL TO FUNCTION OF THE PART AND MUST BE INSPECTED
 - DRAWING APPLIES TO ALL P/N'S SHOWN ON PAGE 3
 - DURING FINAL INSPECTION, CAGE LEG LOCATIONS AND STRAIGHTNESS MUST BE CHECKED USING APPROPRIATE GO - NO GO GAGE
 - DURING FINAL INSPECTION, CAGE MUST BE INSPECTED TO MAKE SURE LEG CONFIGURATIONS AND PART NUMBERS ARE CORRECT, USE SHEETS 3, 4 AND 5
 - PARTS TO BE INSPECTED PER MOLEX COSMETIC SPEC WI-HP-7-2774 (CLASS B UNLESS OTHERWISE SPECIFIED)
 - PRESS-FIT LEGS 2.44 [0.096] LONG -
1.57 [0.062] MINIMUM PCB THICKNESS FOR SINGLE SIDED USE.
3.00 [0.118] MINIMUM PCB THICKNESS FOR BELLY TO BELLY USE.
 - NO RoHS EXEMPTIONS
 - WELD SPOTS MAY SHOW SLIGHT MATERIAL DISCOLORATION.

WEEK/YEAR DATE CODE TABLE	
WK	WEEK OF THE YEAR 01 THRU 52 (EXAMPLE: 01= FIRST WEEK OF YEAR 52= LAST WEEK OF YEAR)
YR	22, 23, 24 ETC.. (EXAMPLE: YEAR 2022= 22)
FUNCTIONAL SYMBOLS	THIS DRAWING CONTAINS INFORMATION THAT IS PROPRIETARY TO MOLEX ELECTRONIC TECHNOLOGIES, LLC AND SHOULD NOT BE USED WITHOUT WRITTEN PERMISSION
= 0	DIMENSION UNITS: mm SCALE: 2:1
= 0	GENERAL TOLERANCES (UNLESS SPECIFIED)
= 1	ANGULAR TOL ± 2.0°
DIVISIONAL SYMBOLS	4 PLACES ±
	3 PLACES ±
	2 PLACES ± 0.15
	1 PLACE ± 0.25
	0 PLACES ±
	DRAFT WHERE APPLICABLE MUST REMAIN WITHIN DIMENSIONS
	THIRD ANGLE PROJECTION
	DRAWING: D-SIZE
	SERIES: 100014
	EC NO: 698842
	DRWN: TKUMARKC 2022/02/17
	CHK'D: TKUMARKC 2022/03/16
	APPR: JCHIANG 2022/03/28
	INITIAL REVISION: DRWN: TKUMARKC 2022/02/17
	APPR: JCHIANG 2022/03/28
	DOCUMENT NUMBER: 1000143200
	DOC TYPE: PSD
	DOC PART: ASY
	REVISION: A
	MATERIAL NUMBER: 100014
	CUSTOMER: GENERAL MARKET
	SHEET NUMBER: 1 OF 7

CAGE ASSEMBLY OPTIONS

1000143541

SHOWN

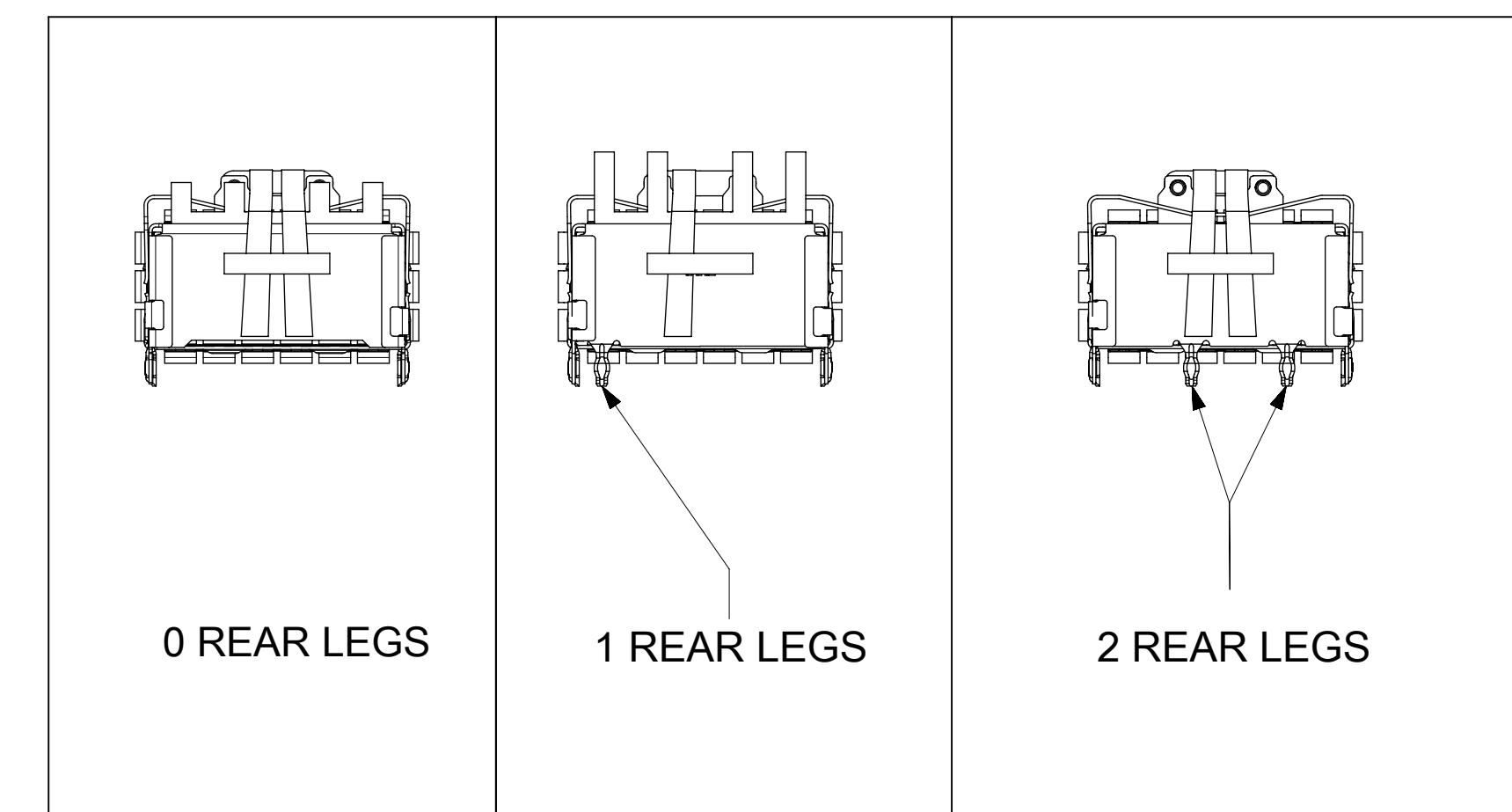


HEATSINK HEIGHT OPTIONS

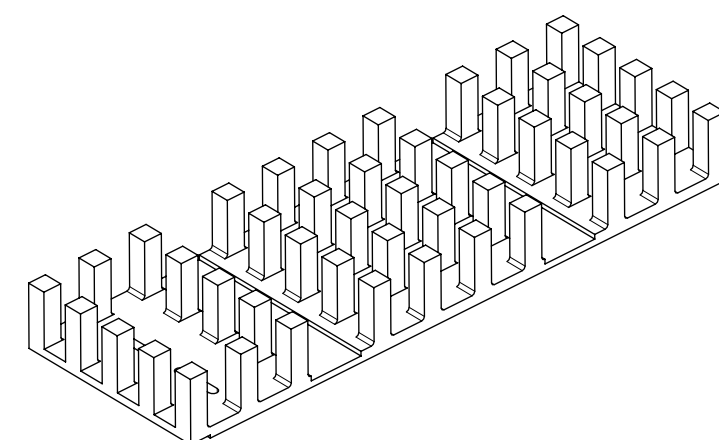
OVERALL HEAT SINK HEIGHT	DIM "A"
PCI	13.7 REF
SAN	16.0 REF
NET	23.0 REF

HEIGHT OF HEAT SINK WITH MODULE INSERTED. DIMENSION MAY BE LESS DUE TO MODULE AND HEAT SINK VARIATIONS

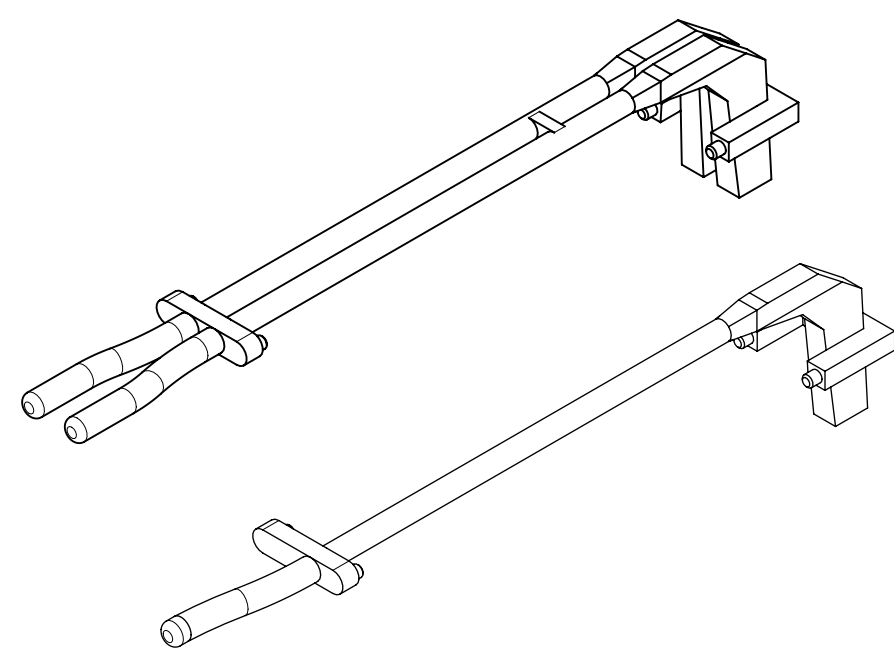
REAR LEG OPTIONS



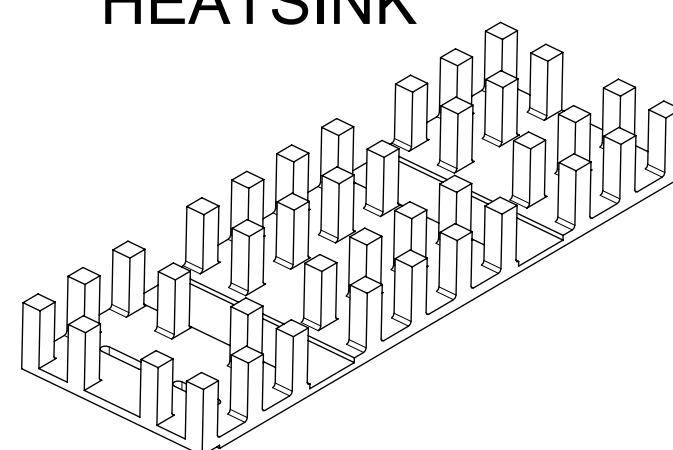
HEAT SINK USED WITHOUT LIGHTPIPE



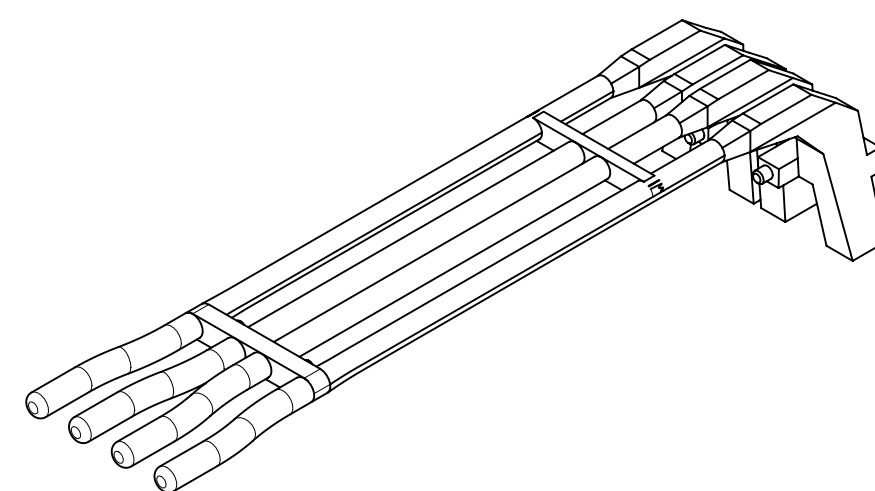
SINGLE / DUAL LIGHT PIPE



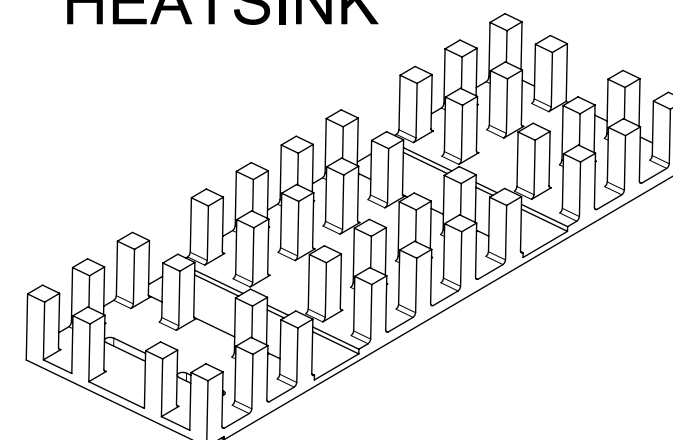
HEATSINK



QUAD LIGHT PIPE



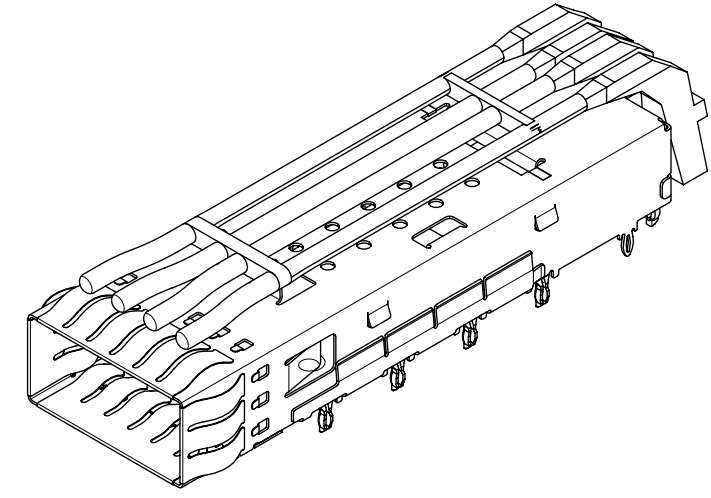
HEATSINK



FUNCTIONAL SYMBOLS $F_A = 0$ $F_C = 0$ $F_D = 0$	THIS DRAWING CONTAINS INFORMATION THAT IS PROPRIETARY TO MOLEX ELECTRONIC TECHNOLOGIES, LLC AND SHOULD NOT BE USED WITHOUT WRITTEN PERMISSION		CURRENT REV DESC: SEE REVISION TABLE	
	DIMENSION UNITS	SCALE		
	mm	2:1		
	GENERAL TOLERANCES (UNLESS SPECIFIED)			
ANGULAR TOL $\pm 2.0^\circ$				
4 PLACES \pm		EC NO: 698842		
3 PLACES \pm		DRWN: TKUMARKC 2022/02/17		
2 PLACES ± 0.15		CHK'D: TKUMARKC 2022/03/16		
1 PLACE ± 0.25		APPR: JCHIANG 2022/03/28		
0 PLACES \pm		INITIAL REVISION:		
DRAFT WHERE APPLICABLE MUST REMAIN WITHIN DIMENSIONS		DRWN: TKUMARKC 2022/02/17		
THIRD ANGLE PROJECTION		APPR: JCHIANG 2022/03/28		
DRAWING		SERIES		
D-SIZE		100014		
MATERIAL NUMBER		CUSTOMER		
1000143200		GENERAL MARKET		
DOC TYPE		DOC PART		
PSD		ASY		
REVISION		A		
DOCUMENT NUMBER		SHEET NUMBER		
1000143200		2 OF 7		

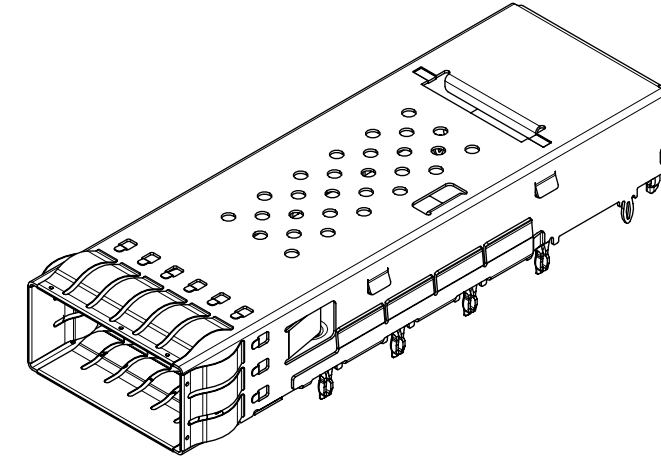
PART NUMBER SELECTION

NO HEATSINKS
WITH LIGHT PIPES
CLOSED TOP



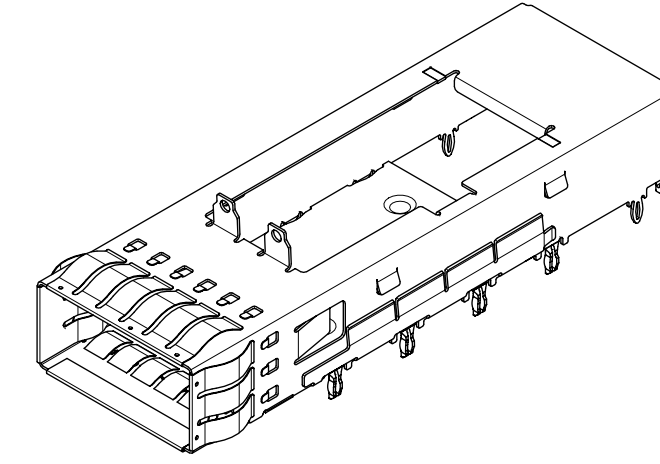
MOLEX P/N	LIGHT PIPES	#OF REAR LEGS PER PORT	DIM "B"
1000143235	QUAD	0	61.07 REF

NO HEATSINKS
NO LIGHT PIPES
CLOSED TOP



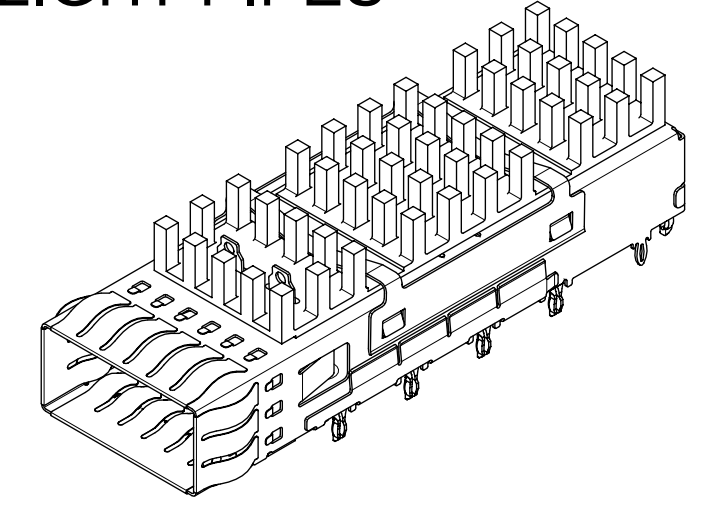
MOLEX P/N W/ SPRING FINGERS	#OF REAR LEGS PER PORT
1000143240	0
1000143242	1

NO HEATSINKS
NO LIGHT PIPES
OPEN TOP



MOLEX P/N W/ SPRING FINGERS	#OF REAR LEGS PER PORT	LP TAB FEATURE
1000143250	0	YES
1000143252	1	YES

WITH HEATSINKS
NO LIGHT PIPES



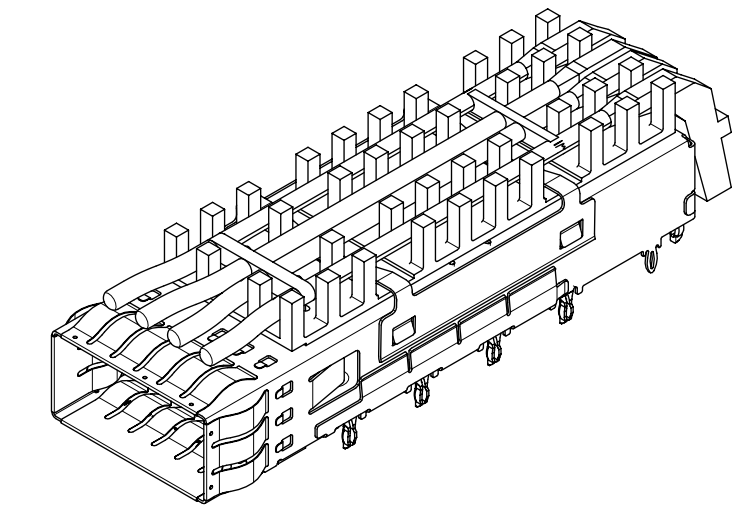
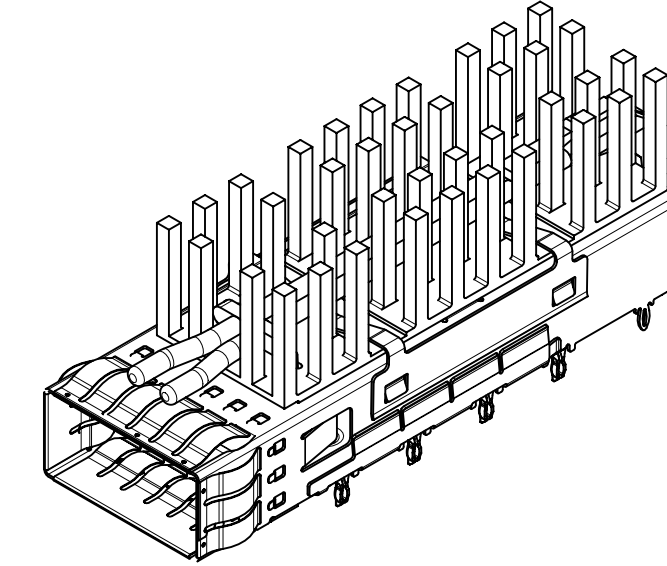
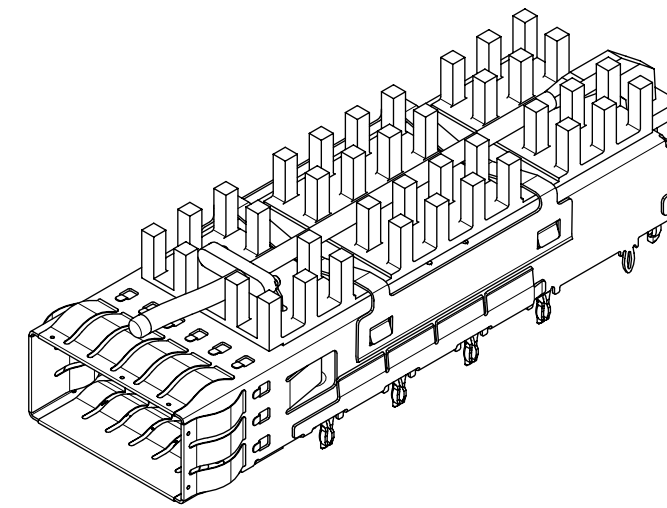
MOLEX P/N	HEATSINKS	#OF REAR LEGS PER PORT
1000143340	PCI	0
1000143341	SAN	0
1000143342	NET	0
1000143343	PCI	1
1000143344	SAN	1
1000143345	NET	1
1000143346	PCI	2

SINGLE LIGHT PIPE

DUAL LIGHT PIPE

QUAD LIGHT PIPE

WITH HEATSINKS AND LIGHT PIPES

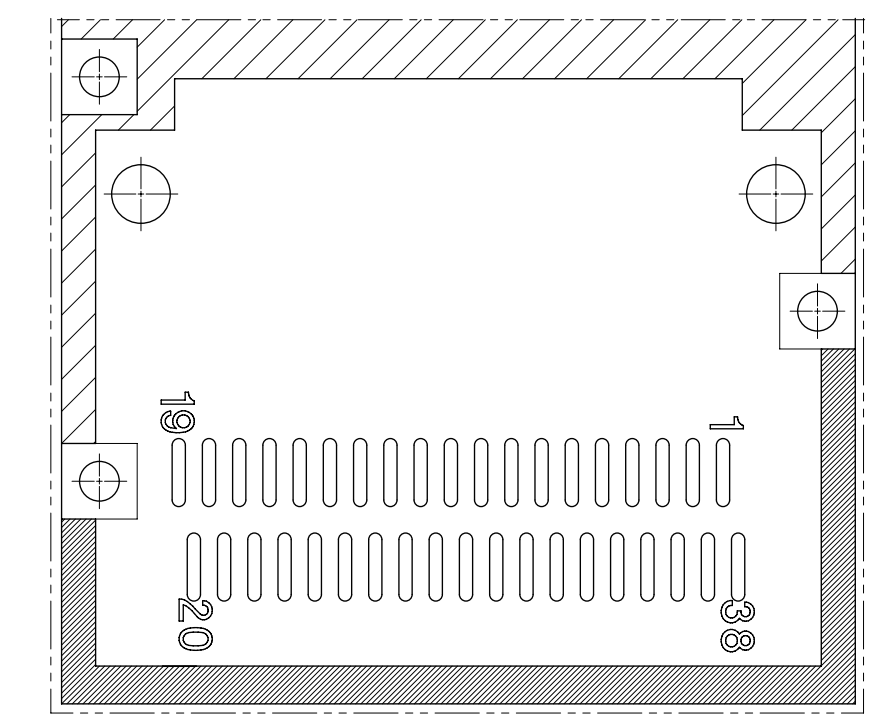


MOLEX P/N	LIGHTPIPES	HEATSINKS	#OF REAR LEGS PER PORT	DIM "B"
1000143442	SINGLE	NET	0	61.07 REF
1000143443	DUAL	PCI	0	61.07 REF
1000143445	DUAL	NET	0	61.07 REF
1000143447	QUAD	SAN	0	61.07 REF
1000149448	QUAD	NET	0	61.07 REF
1000143541	SINGLE	SAN	1	61.07 REF
1000143542	SINGLE	NET	1	61.07 REF
1000149547	QUAD	SAN	1	61.07 REF
1000143548	QUAD	NET	1	61.07 REF
1000143646	QUAD	PCI	2	61.07 REF

FUNCTIONAL SYMBOLS FA = 0 FC = 0 FD = 0	THIS DRAWING CONTAINS INFORMATION THAT IS PROPRIETARY TO MOLEX ELECTRONIC TECHNOLOGIES, LLC AND SHOULD NOT BE USED WITHOUT WRITTEN PERMISSION		CURRENT REV DESC: SEE REVISION TABLE		
	DIMENSION UNITS mm	SCALE 1.5:1			
DIVISIONAL SYMBOLS	GENERAL TOLERANCES (UNLESS SPECIFIED)		EC NO: 698842		
	ANGULAR TOL ± 2.0°		DRWN: TKUMARKC 2022/02/17		
	4 PLACES ±	CHK'D: TKUMARKC 2022/03/16			
	3 PLACES ±	APPR: JCHIANG 2022/03/28			
	2 PLACES ± 0.15	INITIAL REVISION:			
1 PLACE ± 0.25	DRWN: TKUMARKC 2022/02/17		DOCUMENT NUMBER		
0 PLACES ±	APPR: JCHIANG 2022/03/28		1000143200		
DRAFT WHERE APPLICABLE MUST REMAIN WITHIN DIMENSIONS		THIRD ANGLE PROJECTION	DRAWING	SERIES	DOC TYPE DOC PART REVISION
			D-SIZE	100014	PSD ASY A
					MATERIAL NUMBER CUSTOMER SHEET NUMBER
					1000143200 GENERAL MARKET 3 OF 7

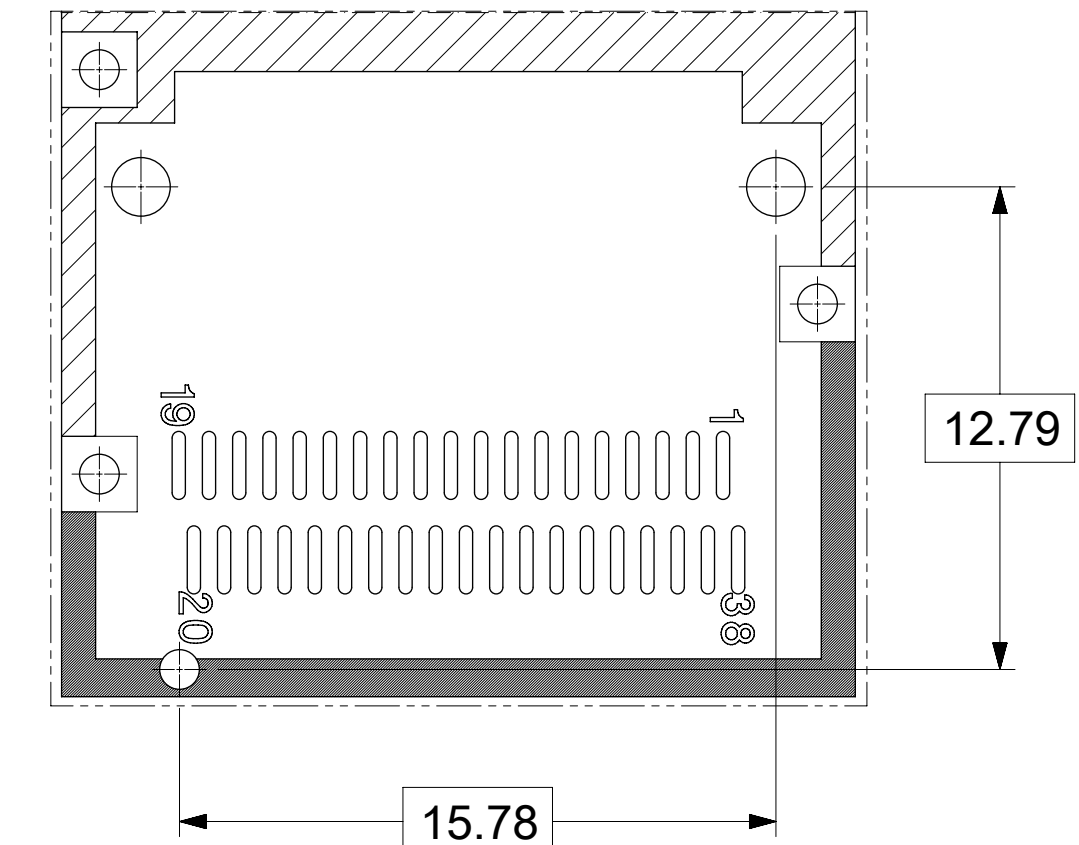
PCB LAYOUT FOR SINGLE SIDED MOUNTING

NO REAR LEGS



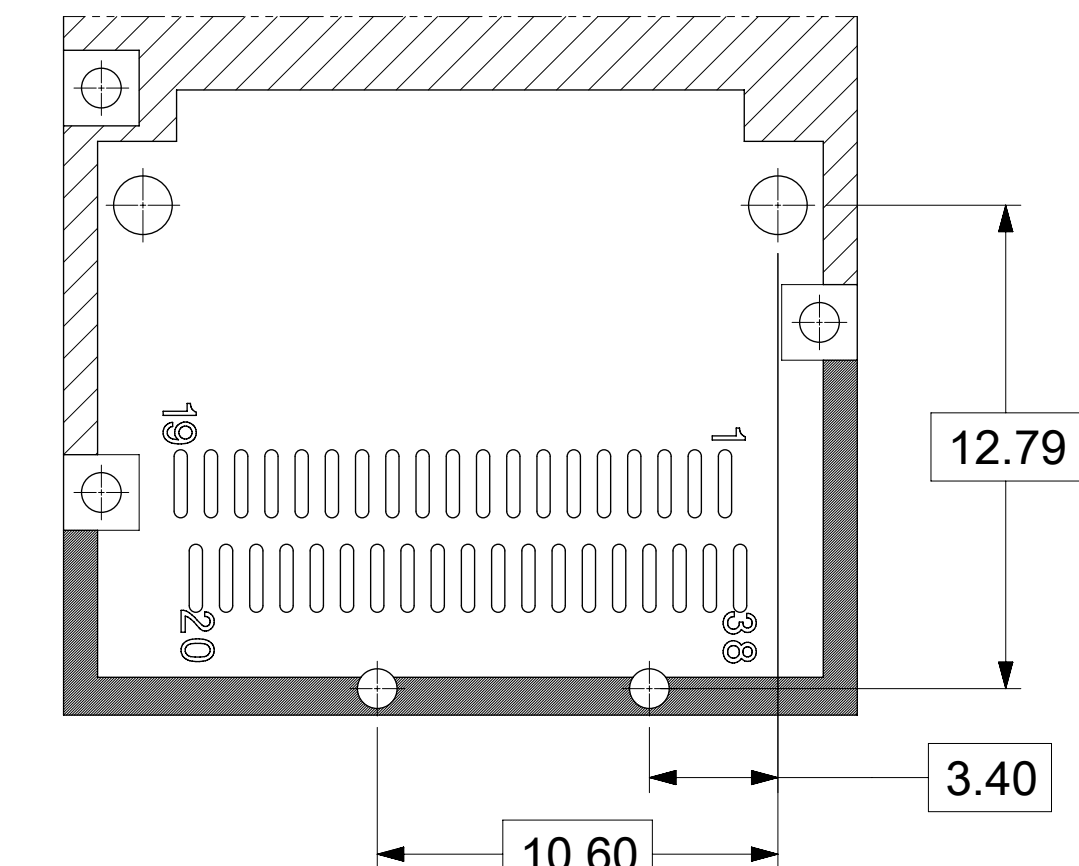
PARTIAL 1
SCALE 5:1

1 REAR LEG

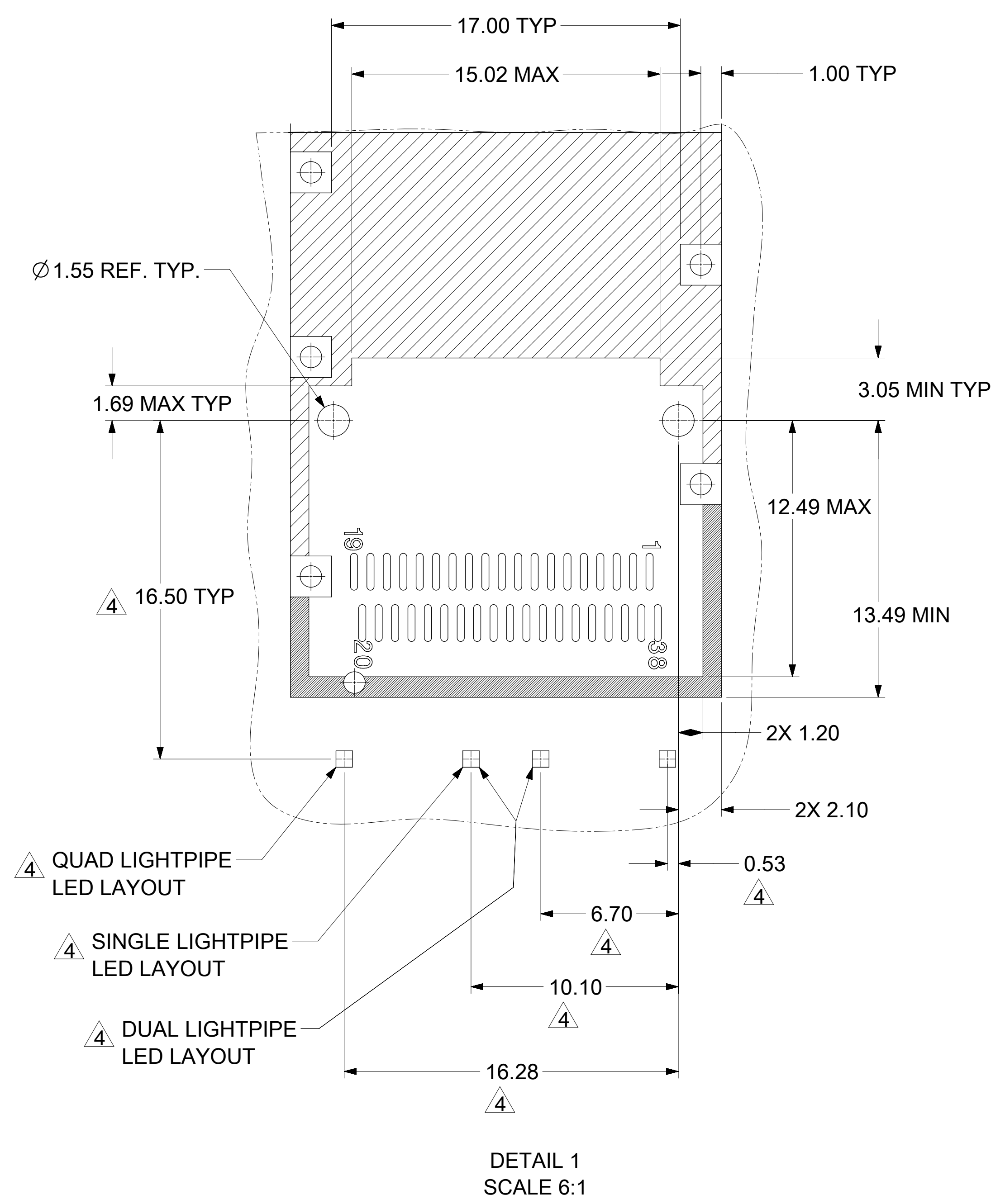


PARTIAL 2
SCALE 5:1

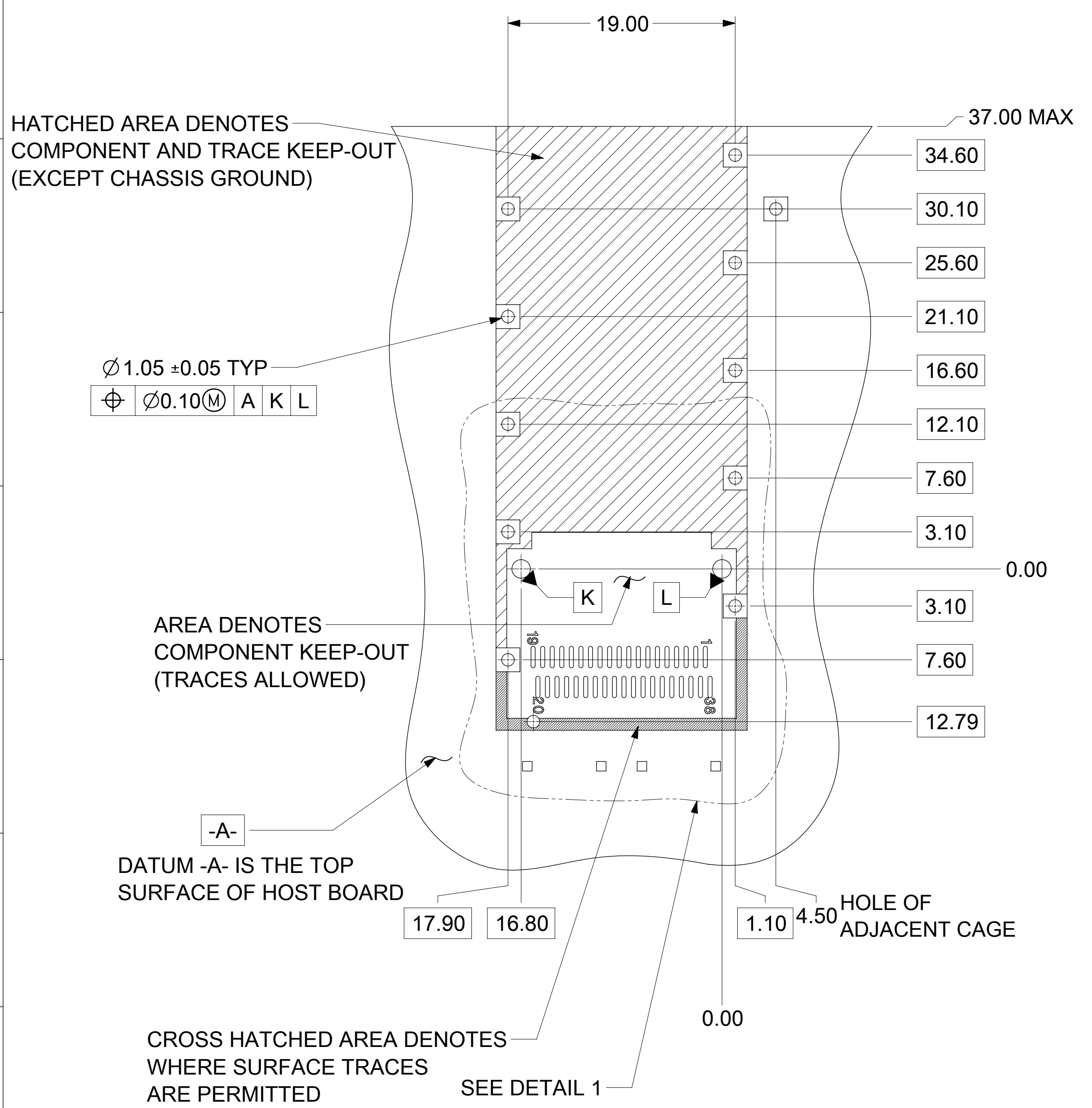
2 REAR LEGS



PARTIAL 3
SCALE 5:1



DETAIL 1
SCALE 6:1

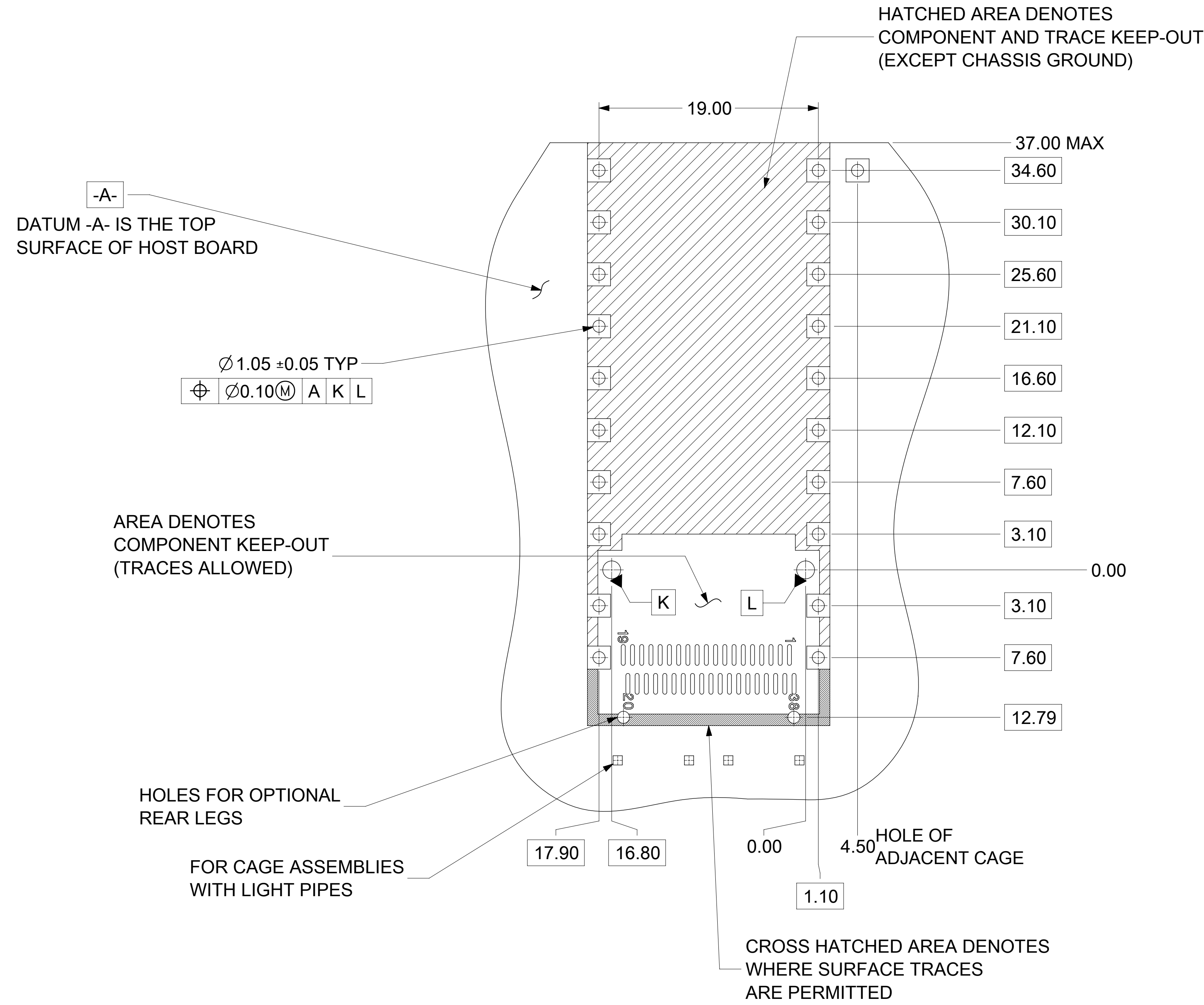


- NOTES:
1. PADS AND VIAS GO TO CHASSIS GROUND. (RECOMMENDED PADS TO BE 2.00mm SQUARE.)
 2. RECOMMENDED THRU HOLE PLATING INCLUDES HASL, OSP, OR IMMERSION (GOLD, SILVER, OR TIN).
 3. CONNECTOR PAD LAYOUT PER SFF-8663 WILL ACCOMMODATE MOLEX CONNECTOR SERIES 170432.
 4. NOTED DIMENSIONS ONLY APPLY TO CAGE ASSEMBLIES WITH LIGHT PIPES.

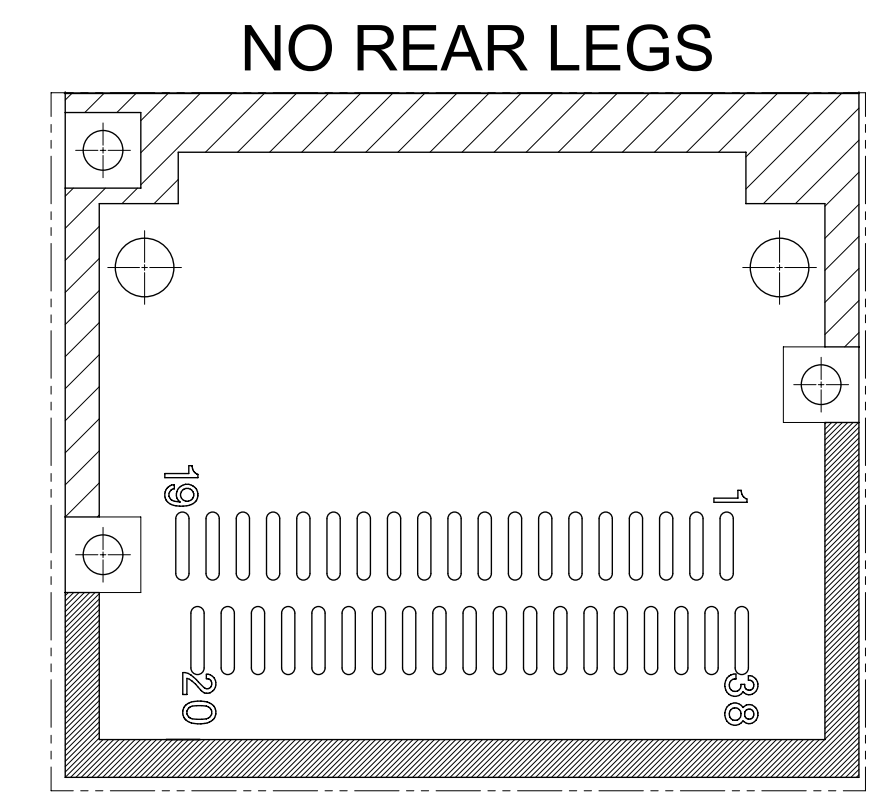
FUNCTIONAL SYMBOLS	THIS DRAWING CONTAINS INFORMATION THAT IS PROPRIETARY TO MOLEX ELECTRONIC TECHNOLOGIES, LLC AND SHOULD NOT BE USED WITHOUT WRITTEN PERMISSION		CURRENT REV DESC: SEE REVISION TABLE	
	FA = 0	mm	SCALE	3.5:1
DIVISIONAL SYMBOLS	GENERAL TOLERANCES (UNLESS SPECIFIED)			
	FC = 0	ANGULAR TOL ± 2.0°		
DIVISIONAL SYMBOLS	4 PLACES	±	EC NO: 698842	
	3 PLACES	±	DRWN: TKUMARKC	2022/02/17
	2 PLACES	± 0.15	CHK'D: TKUMARKC	2022/03/16
	1 PLACE	± 0.25	APPR: JCHIANG	2022/03/28
DIVISIONAL SYMBOLS	0 PLACES	±	INITIAL REVISION:	
	DRAFT WHERE APPLICABLE MUST REMAIN WITHIN DIMENSIONS		DRWN: TKUMARKC	2022/02/17
THIRD ANGLE PROJECTION		DRAWING	SERIES	100014
D-DRAWING		CUSTOMER		GENERAL MARKET
MATERIAL NUMBER		DOCUMENT NUMBER		1000143200
SHEET NUMBER		DOC TYPE		PSD
SHEET NUMBER		DOC PART		ASY
SHEET NUMBER		REVISION		A

DOCUMENT STATUS	P1	RELEASE DATE	2022/03/28	08:56:17
-----------------	----	--------------	------------	----------

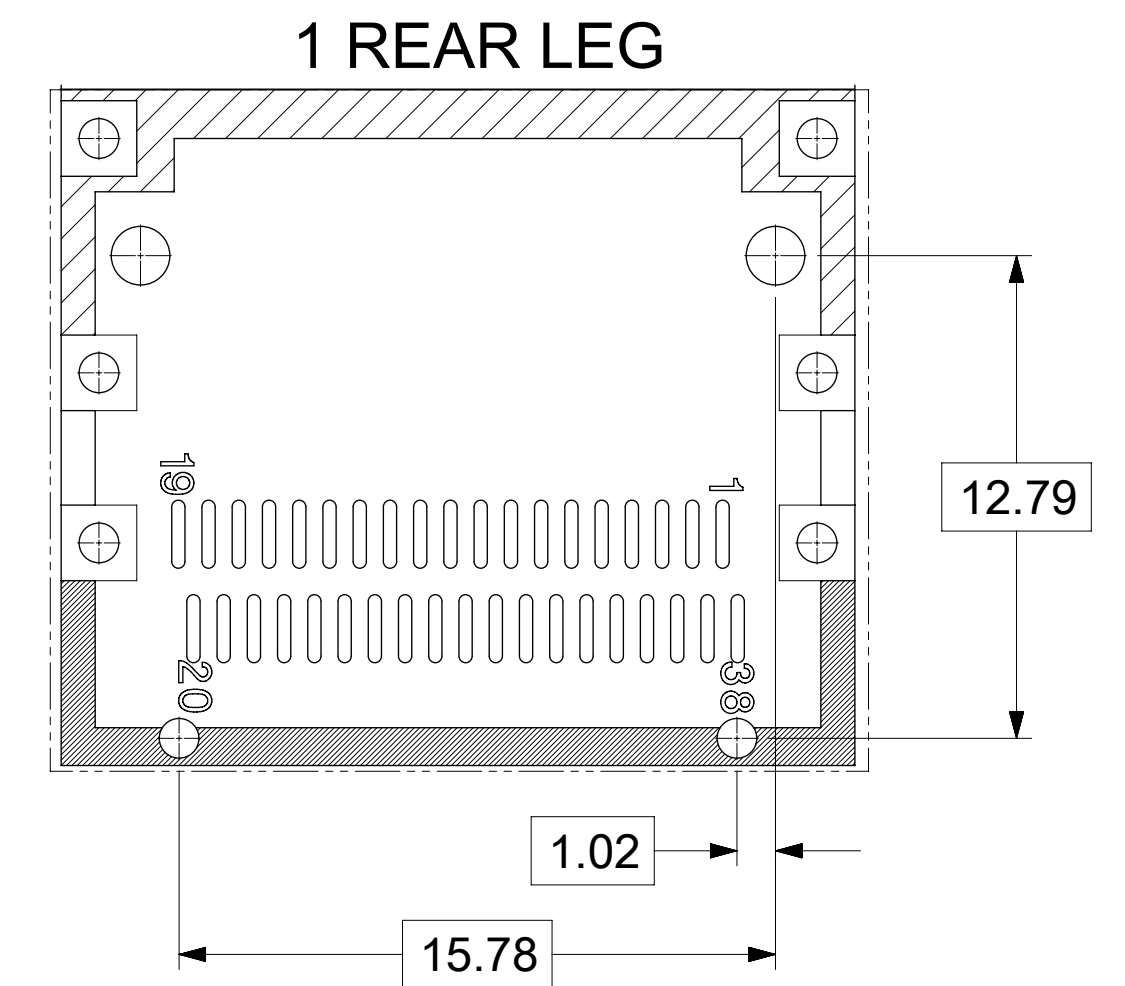
PCB LAYOUT FOR BELLY TO BELLY MOUNTING



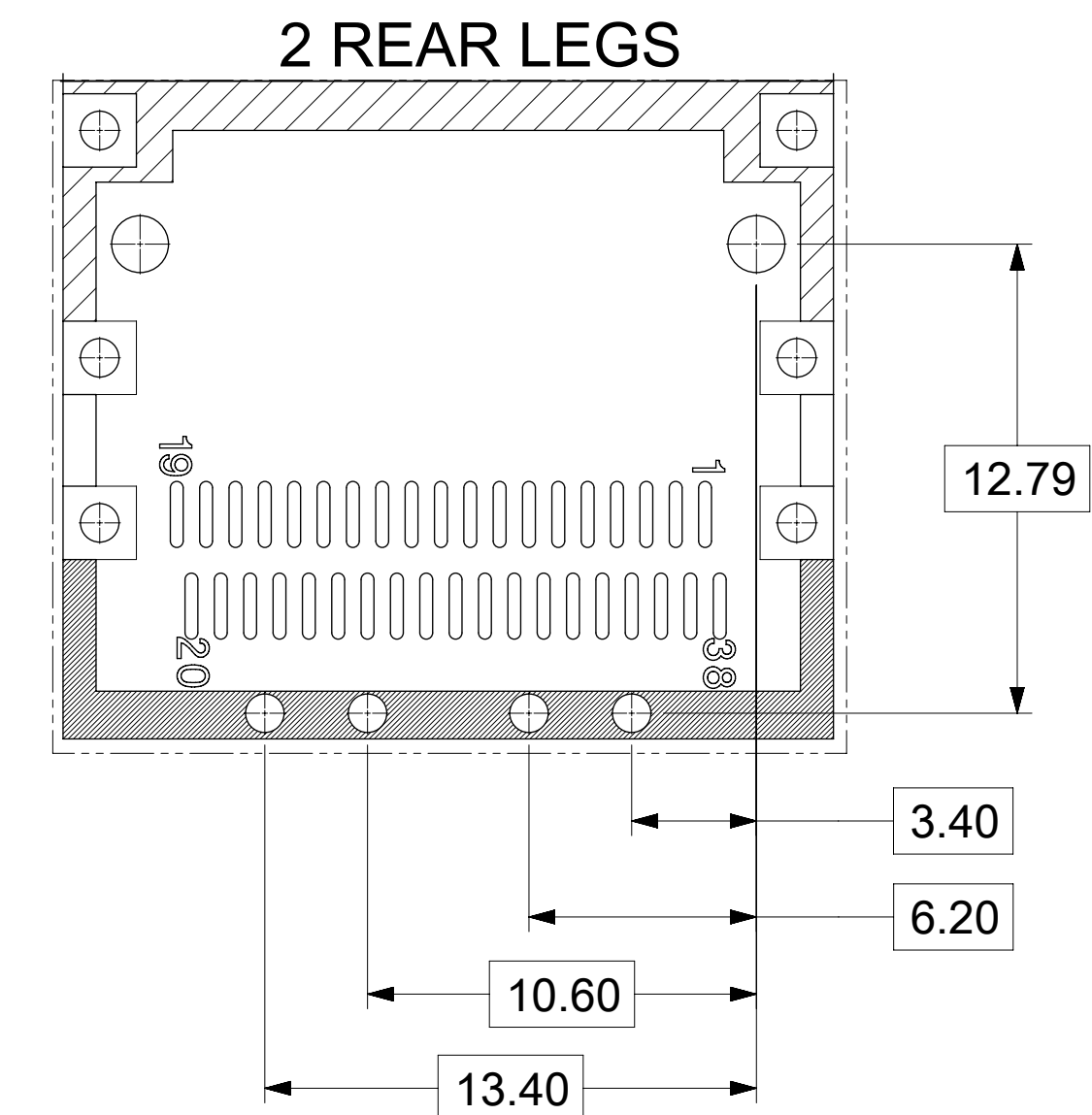
NOTE:
SEE SHEET 4 FOR
HOST CONNECTOR DETAIL
AND LED LOCATION DETAILS



PARTIAL 1
SCALE 5:1



PARTIAL 5
SCALE 5:1

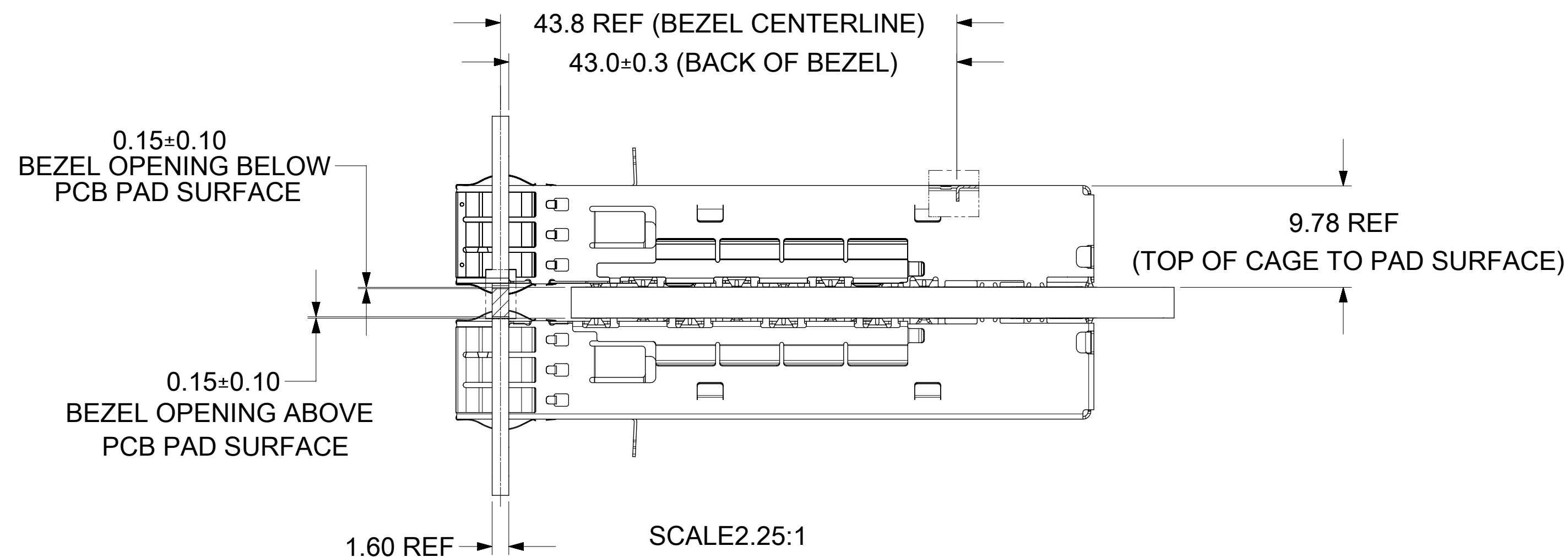


PARTIAL 6
SCALE 5:1

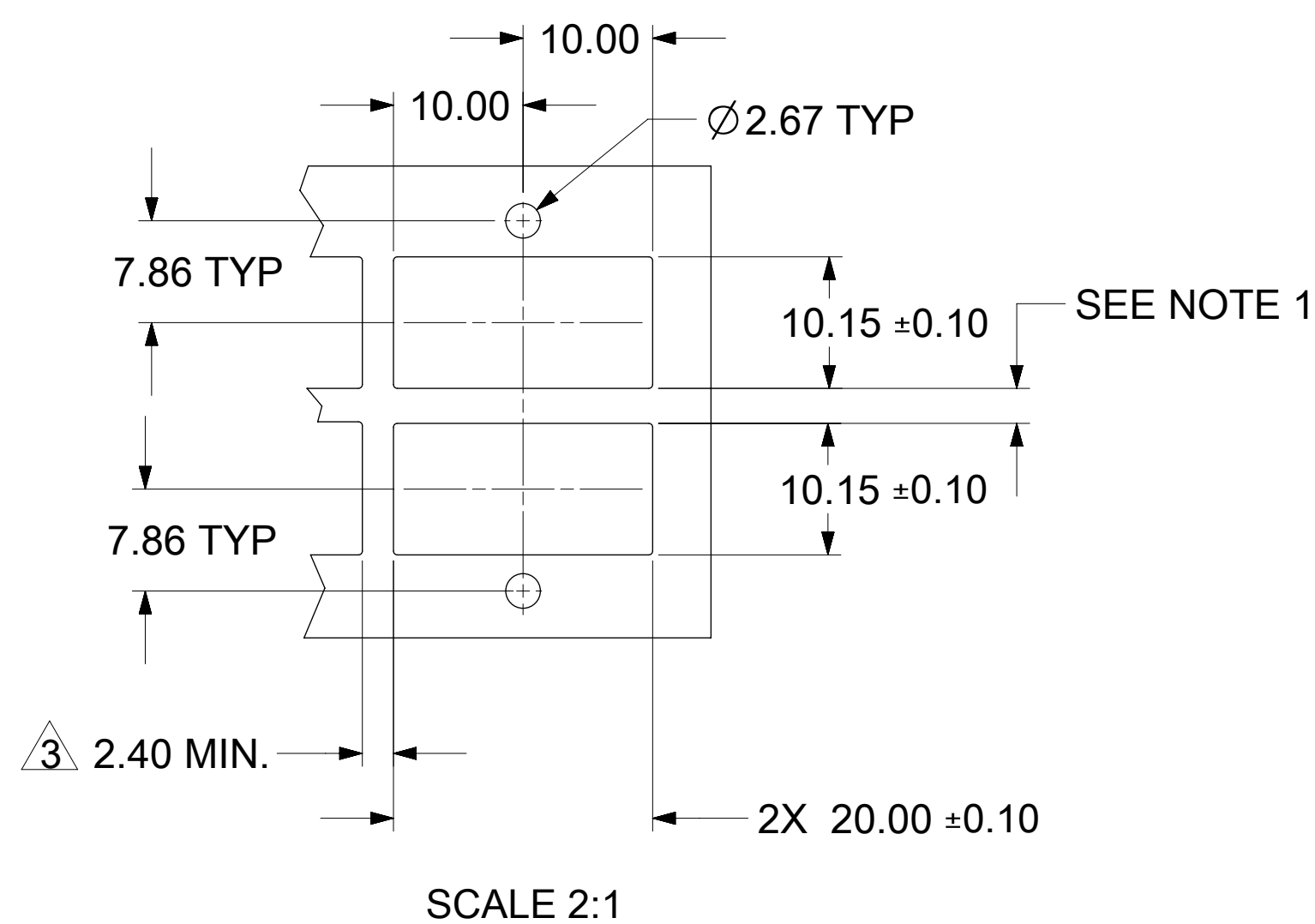
- NOTES:
1. PADS AND VIAS GO TO CHASSIS GROUND. (RECOMMENDED PADS TO BE 2.00mm SQUARE.)
 2. RECOMMENDED THRU HOLE PLATING INCLUDES HASL, OSP, OR IMMERSION (GOLD, SILVER, OR TIN).
 3. CONNECTOR PAD LAYOUT PER SFF-8663 WILL ACCOMODATE MOLEX CONNECTOR SERIES 170432.

FUNCTIONAL SYMBOLS	THIS DRAWING CONTAINS INFORMATION THAT IS PROPRIETARY TO MOLEX ELECTRONIC TECHNOLOGIES, LLC AND SHOULD NOT BE USED WITHOUT WRITTEN PERMISSION		CURRENT REV DESC: SEE REVISION TABLE	
	FA = 0	mm	SCALE	4:1
DIVISIONAL SYMBOLS	GENERAL TOLERANCES (UNLESS SPECIFIED)			
	FC = 0	ANGULAR TOL ± 2.0°		
DIVISIONAL SYMBOLS	FP = 0	4 PLACES	±	
		3 PLACES	±	
		2 PLACES	±	0.15
		1 PLACE	±	0.25
	0 PLACES	±		
DRAFT WHERE APPLICABLE MUST REMAIN WITHIN DIMENSIONS		THIRD ANGLE PROJECTION	DRAWING	SERIES
			D-SIZE	100014
EC NO: 698842		DRWN: TKUMARKC	2022/02/17	
INITIAL REVISION:		CHK'D: TKUMARKC	2022/03/16	
DRWN: TKUMARKC		APPR: JCHIANG	2022/03/28	
APPR: JCHIANG		2022/02/17		
MATERIAL NUMBER		CUSTOMER	SHEET NUMBER	
1000143200		GENERAL MARKET	5 OF 7	
DOCUMENT NUMBER		DOC TYPE	DOC PART	REVISION
1000143200		PSD	ASY	A

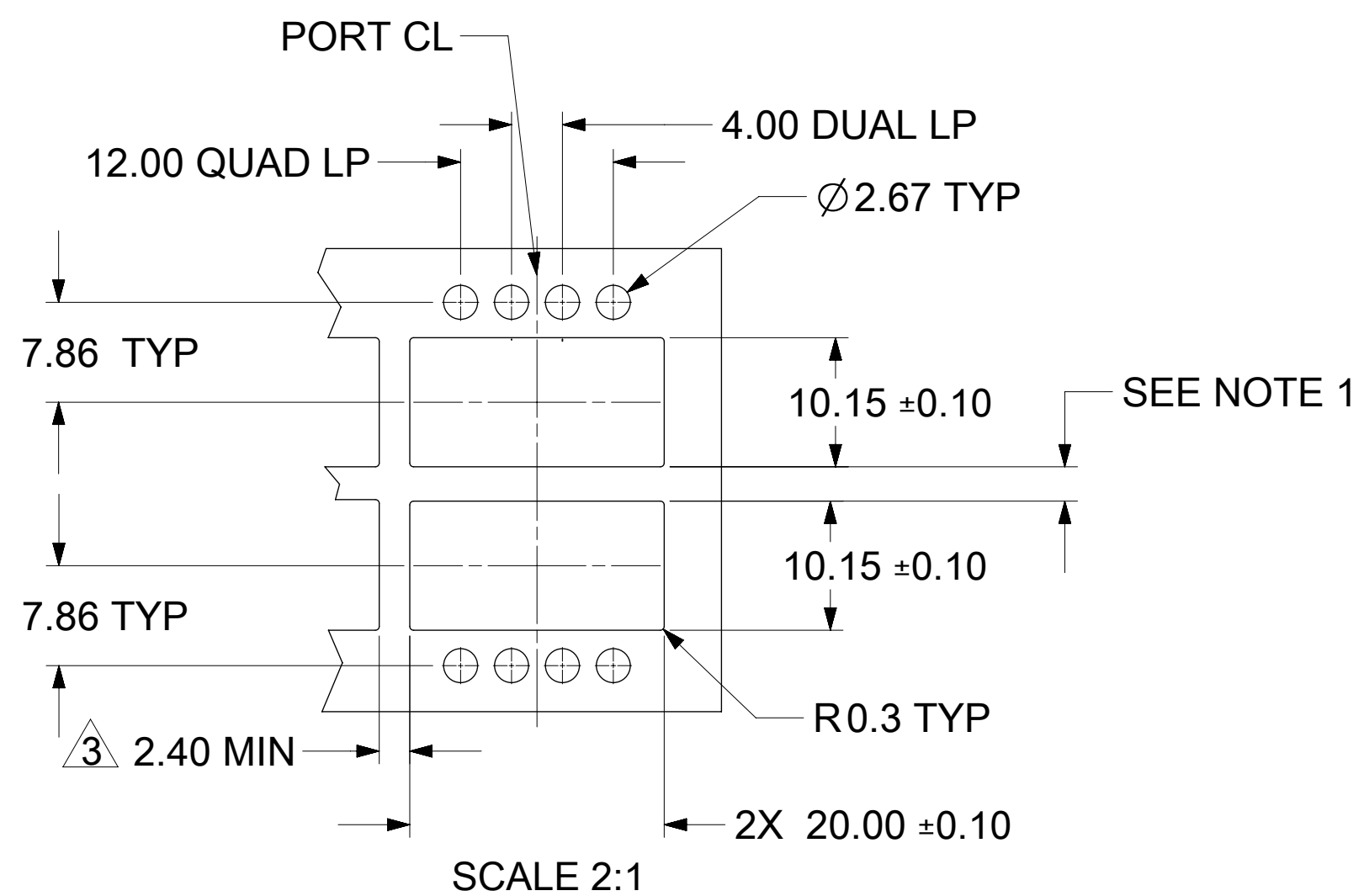
BEZEL AND BOARD POSITION DIMENSIONS FOR BELLY TO BELLY MOUNTING



SINGLE LIGHT PIPE ²

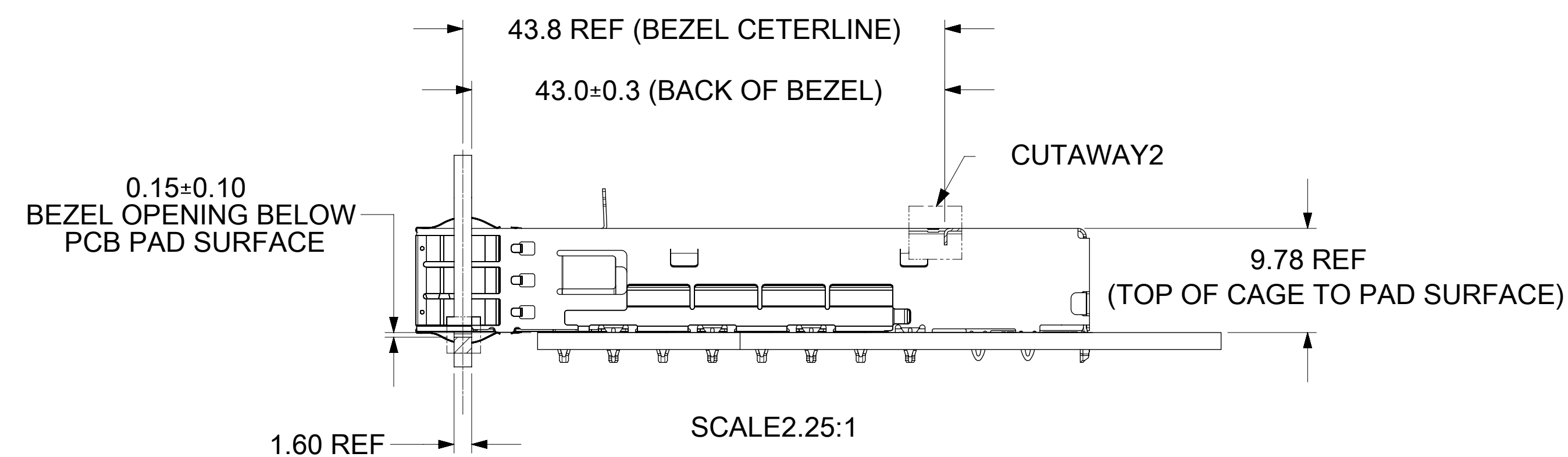


DUAL/QUAD LIGHT PIPE ²

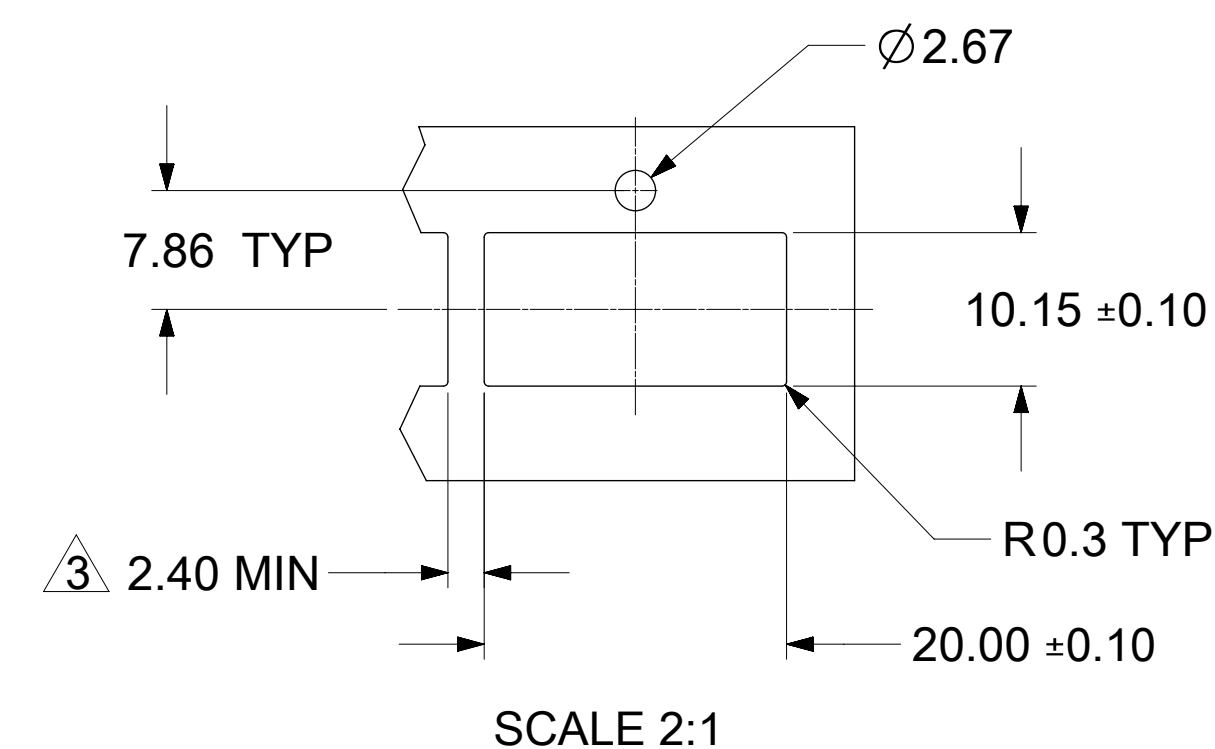


- NOTE:
1. PCB THICKNESS VARIATION MUST BE CONSIDERED WHEN DETERMINING BEZEL OPENING LOCATION.
 2. NOTED DIMENSIONS ONLY APPLY TO CAGE ASSEMBLIES WITH LIGHT PIPES.
 3. THIS DIMENSION IS FOR REFERENCE ONLY. USER CAN MODIFY IT DEPENDS ON APPLICATION. (THIS DIMENSION VARIES BASED ON DISTANCE OF "HOLE OF ADJACENT CAGE" ON PCB LAYOUT.)

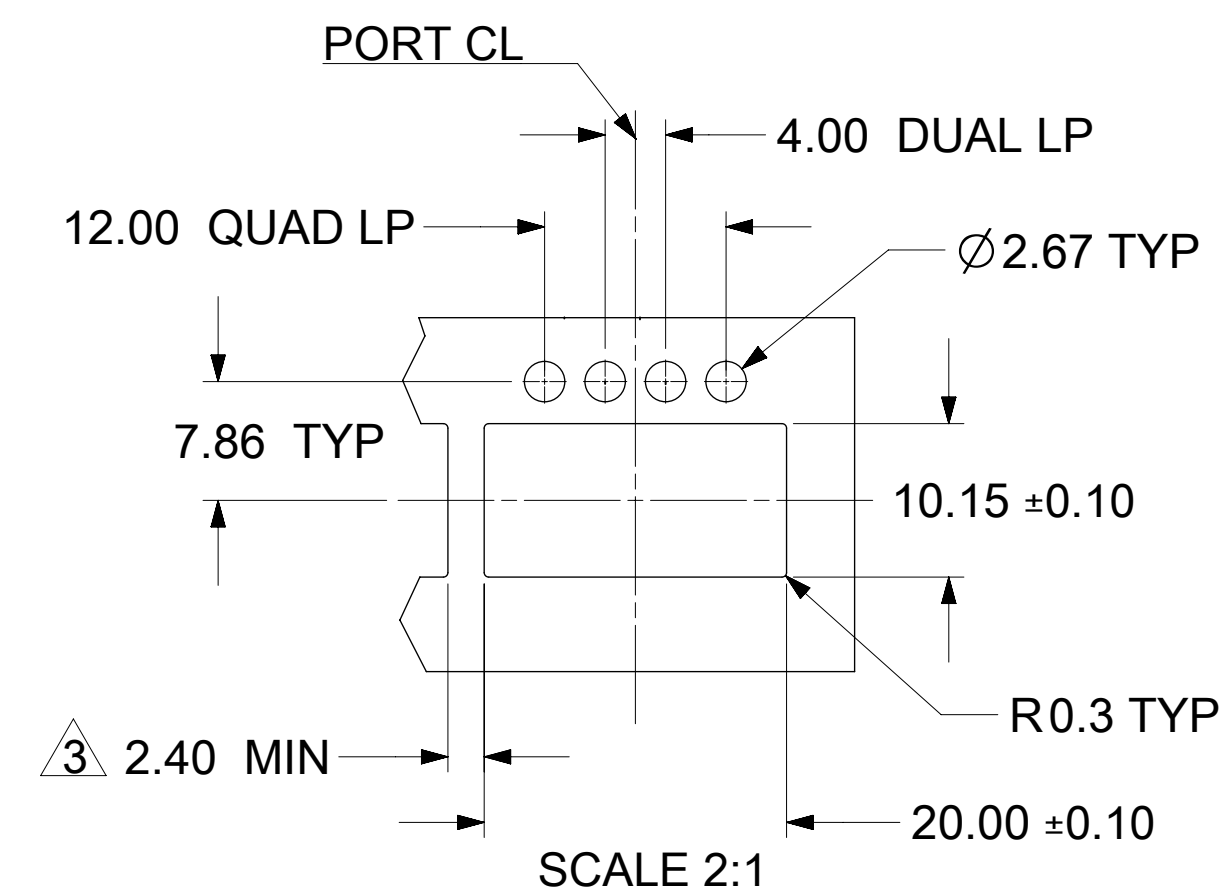
BEZEL AND BOARD POSITION DIMENSIONS FOR SINGLE SIDE MOUNTING



SINGLE LIGHT PIPE ²



DUAL/QUAD LIGHT PIPE ²



THIS DRAWING CONTAINS INFORMATION THAT IS PROPRIETARY TO MOLEX ELECTRONIC TECHNOLOGIES, LLC AND SHOULD NOT BE USED WITHOUT WRITTEN PERMISSION									
FUNCTIONAL SYMBOLS	DIMENSION UNITS	SCALE	CURRENT REV DESC: SEE REVISION TABLE						
$F_A = 0$	mm	2.5:1							
$F_C = 0$	GENERAL TOLERANCES (UNLESS SPECIFIED)								
$F_P = 0$	ANGULAR TOL $\pm 2.0^\circ$								
DIVISIONAL SYMBOLS	4 PLACES	\pm	EC NO: 698842						
	3 PLACES	\pm	DRWN: TKUMARKC 2022/02/17						
	2 PLACES	± 0.15	CHK'D: TKUMARKC 2022/03/16						
	1 PLACE	± 0.25	APPR: JCHIANG 2022/03/28						
	0 PLACES	\pm	INITIAL REVISION:						
			DRWN: TKUMARKC 2022/02/17						
			APPR: JCHIANG 2022/03/28						
DRAFT WHERE APPLICABLE MUST REMAIN WITHIN DIMENSIONS			THIRD ANGLE PROJECTION	DRAWING	SERIES	MATERIAL NUMBER	CUSTOMER	SHEET NUMBER	
				D-SIZE	100014	1000143200	GENERAL MARKET	6 OF 7	

molex

ZQSFP+ 1X1 CAGE ASSY'S W/ SUS TAB TYPE SPRING FINGER, H/S & L/P OPTIONS

PRODUCT CUSTOMER DRAWING

DOCUMENT NUMBER DOC TYPE DOC PART REVISION

1000143200

PSD ASY A

MATERIAL NUMBER CUSTOMER SHEET NUMBER

GENERAL MARKET 6 OF 7

REV	DATE	DESCRIPTION
A	2022/02/17	INITIAL RELEASE

FUNCTIONAL SYMBOLS													THIS DRAWING CONTAINS INFORMATION THAT IS PROPRIETARY TO MOLEX ELECTRONIC TECHNOLOGIES, LLC AND SHOULD NOT BE USED WITHOUT WRITTEN PERMISSION															
FA = 0			mm			SCALE 1:1			CURRENT REV DESC: SEE REVISION TABLE						<h1 style="text-align: center;">molex</h1> <p style="text-align: center;">ZQSFP+ 1X1 CAGE ASSY'S W/ SUS TAB TYPE SPRING FINGER, H/S & L/P OPTIONS</p> <p style="text-align: center;">PRODUCT CUSTOMER DRAWING</p>													
FC = 0			GENERAL TOLERANCES (UNLESS SPECIFIED)						EC NO: 698842																			
FD = 0			ANGULAR TOL ± 2.0°						DRWN: TKUMARKC 2022/02/17																			
DIVISIONAL SYMBOLS			4 PLACES ±			3 PLACES ±			CHK'D: TKUMARKC 2022/03/16						<table border="1"> <tr> <td>DOCUMENT NUMBER</td> <td>DOC TYPE</td> <td>DOC PART</td> <td>REVISION</td> </tr> <tr> <td style="text-align: center;">1000143200</td> <td>PSD</td> <td>ASY</td> <td>A</td> </tr> </table>						DOCUMENT NUMBER	DOC TYPE	DOC PART	REVISION	1000143200	PSD	ASY	A
DOCUMENT NUMBER	DOC TYPE	DOC PART	REVISION																									
1000143200	PSD	ASY	A																									
			2 PLACES ± 0.15			1 PLACE ± 0.25			APPR: JCHIANG 2022/03/28																			
			0 PLACES ±			INITIAL REVISION: DRWN: TKUMARKC 2022/02/17 APPR: JCHIANG 2022/03/28																						
DRAFT WHERE APPLICABLE MUST REMAIN WITHIN DIMENSIONS						THIRD ANGLE PROJECTION			DRAWING			SERIES			MATERIAL NUMBER			CUSTOMER			SHEET NUMBER							
									D-SIZE			100014			GENERAL MARKET			7 OF 7										

DOCUMENT STATUS	P1	RELEASE DATE	2022/03/28	08:56:17
-----------------	----	--------------	------------	----------