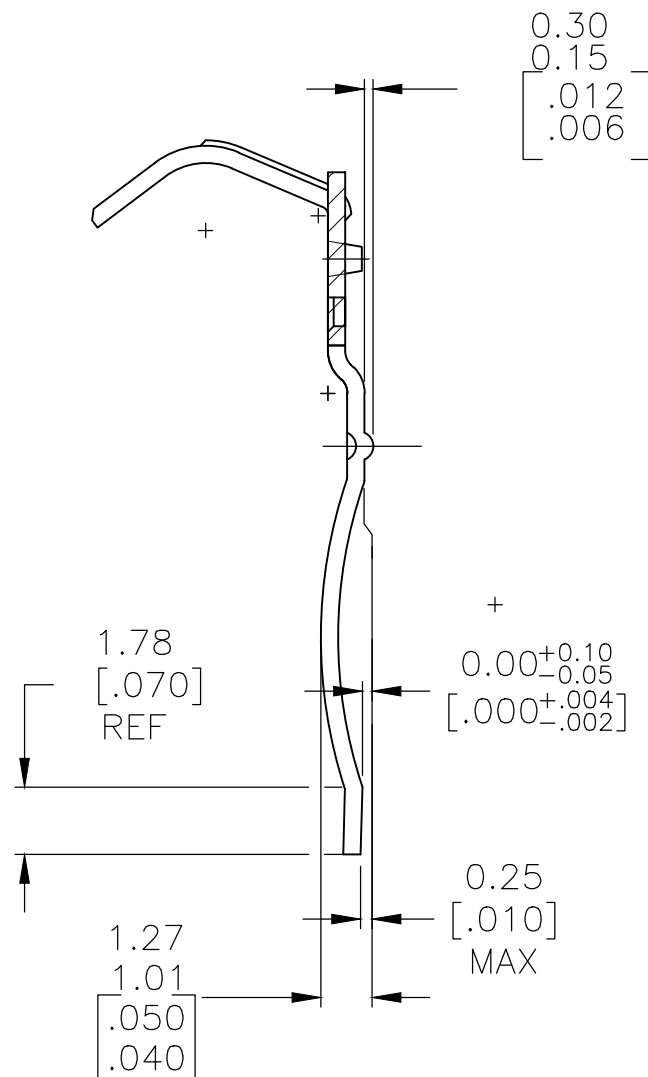
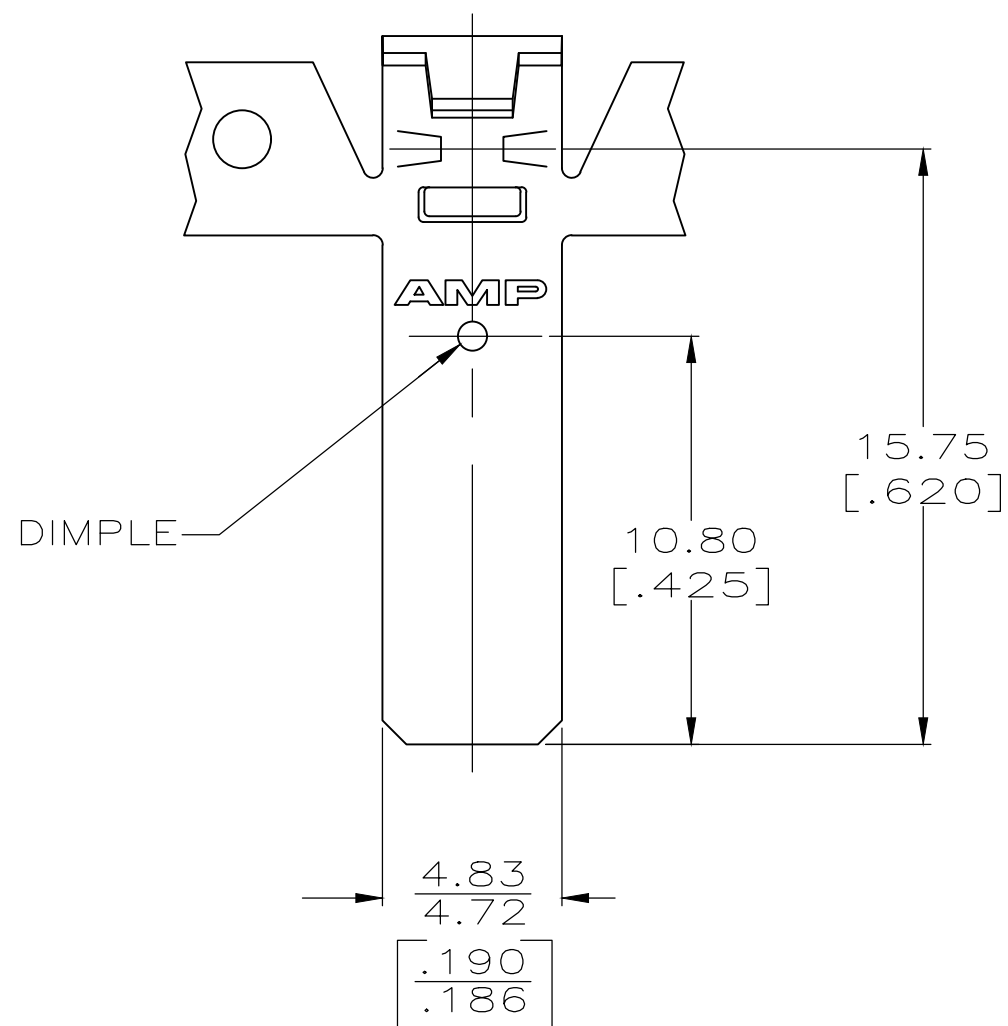
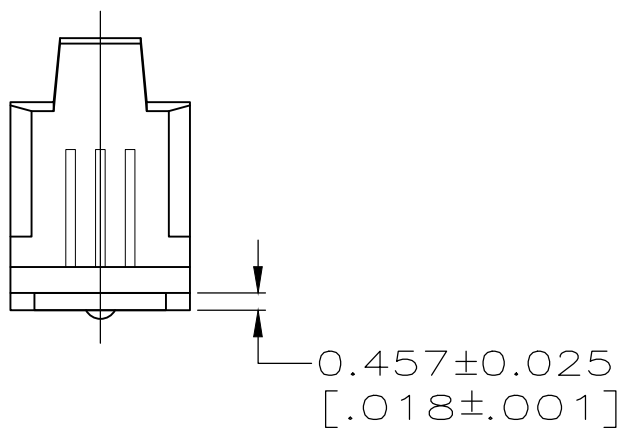


THIS DRAWING IS UNPUBLISHED. RELEASED FOR PUBLICATION
 © COPYRIGHT BY TYCO ELECTRONICS CORPORATION. ALL RIGHTS RESERVED.

LOC	DIST	REVISIONS					
AF	50	P	LTR	DESCRIPTION	DATE	DWN	APVD
			D5	REVISED PER ECR-19-018062	06DEC2019	SS	TD



- 1 PRODUCT PROVIDED IN STRIP FORM ON SPLICE FREE REELS.
- 2 REVERSE REEL OF 62008-1 AND 62008-2.
- 3 PRE-PRODUCTION - FASR REQUIRED
- 4 SAME AS 62009-1 EXCEPT SPECIAL PACKAGING FOR INTERNATIONAL SHIPMENT
- 5 OBSOLETE PART



0.00203[.000080] MIN TIN		20-14 AWG	4	62009-5
0.00381[.000150] MIN SILVER			5	3
			2	62009-2
			2	62009-1
FINISH		WIRE RANGE	PART NUMBER	
THIS DRAWING IS A CONTROLLED DOCUMENT.		DWN 29JAN1999 PHILLIP M FORTNEY		
DIMENSIONS: mm [INCHES]		CHK 29JAN1999 JEFF R RUTH		
TOLERANCES UNLESS OTHERWISE SPECIFIED:		APVD 29JAN1999 DON DECKER	NAME BRUSH CONTACT, TAB-LOCK LEFT HAND	
0 PLC ± -		PRODUCT SPEC	SIZE	
1 PLC ± -		APPLICATION SPEC	CAGE CODE	
2 PLC ± 0.25[.010]			DRAWING NO	
3 PLC ± -			RESTRICTED TO	
4 PLC ± -			A300779 C-62009	
ANGLES ± -		WEIGHT	SCALE 5:1	
MATERIAL T3 PHOS BRONZE		FINISH SEE TABLE	SHEET 1 OF 1	
		CUSTOMER DRAWING	REV D5	