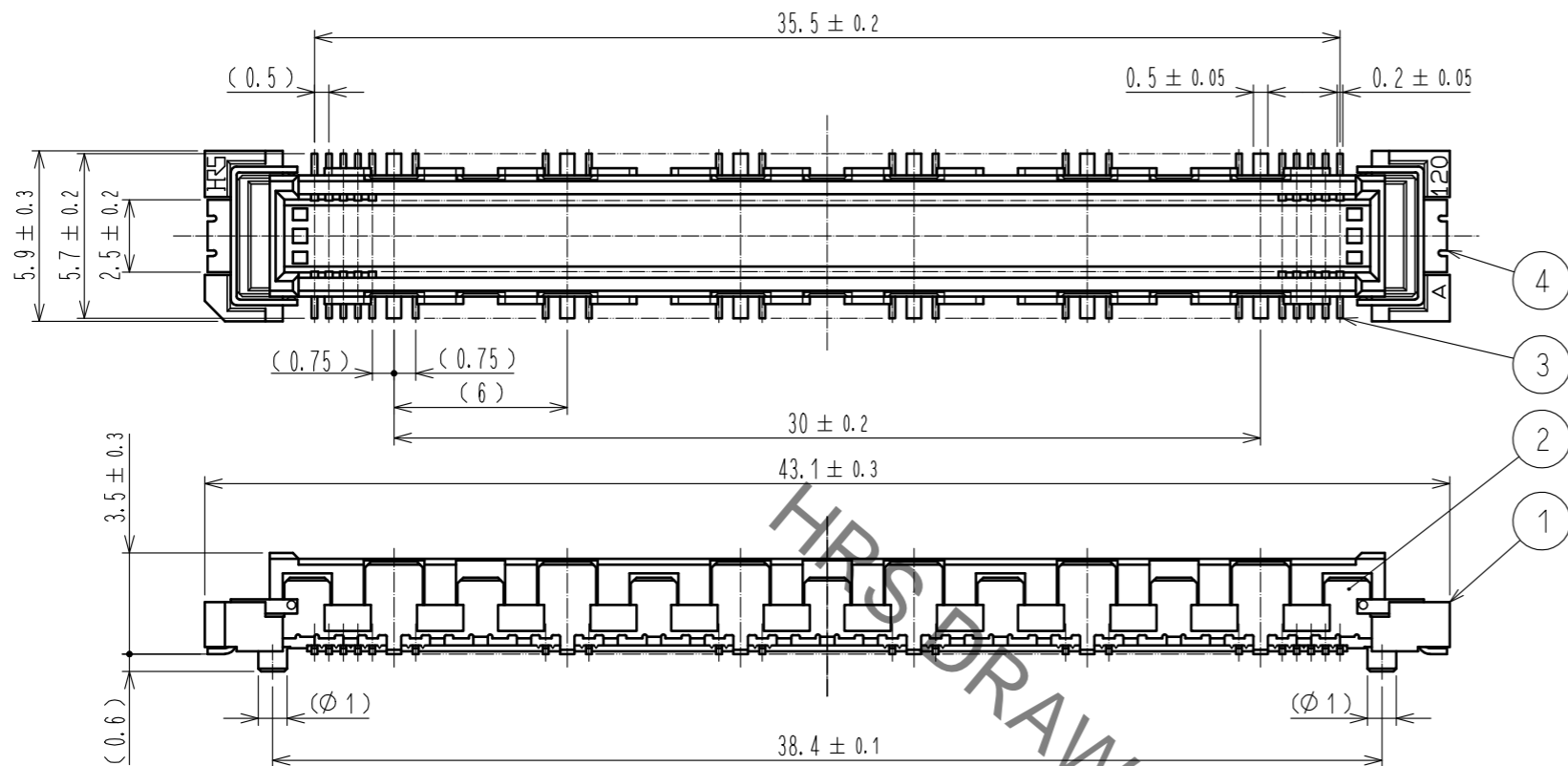
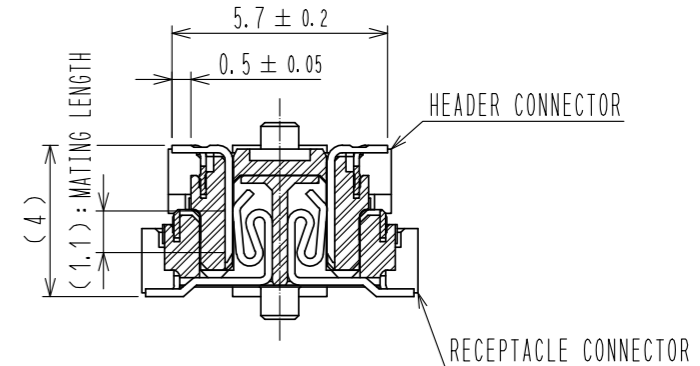


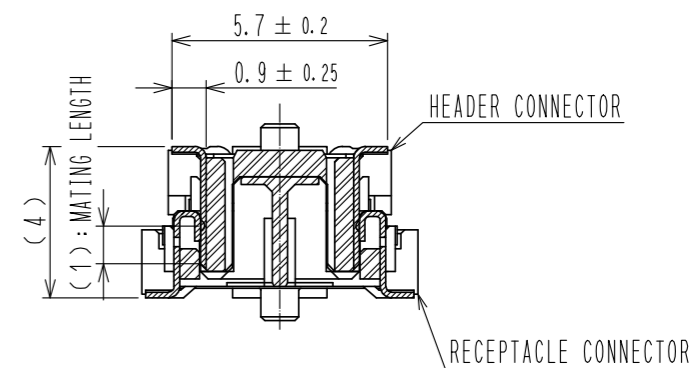
Apr.1.2023 Copyright 2023 HIROSE ELECTRIC CO., LTD. All Rights Reserved.  
 In case of consideration for using Automotive equipment / device which demand high reliability, kindly contact our sales window correspondents.



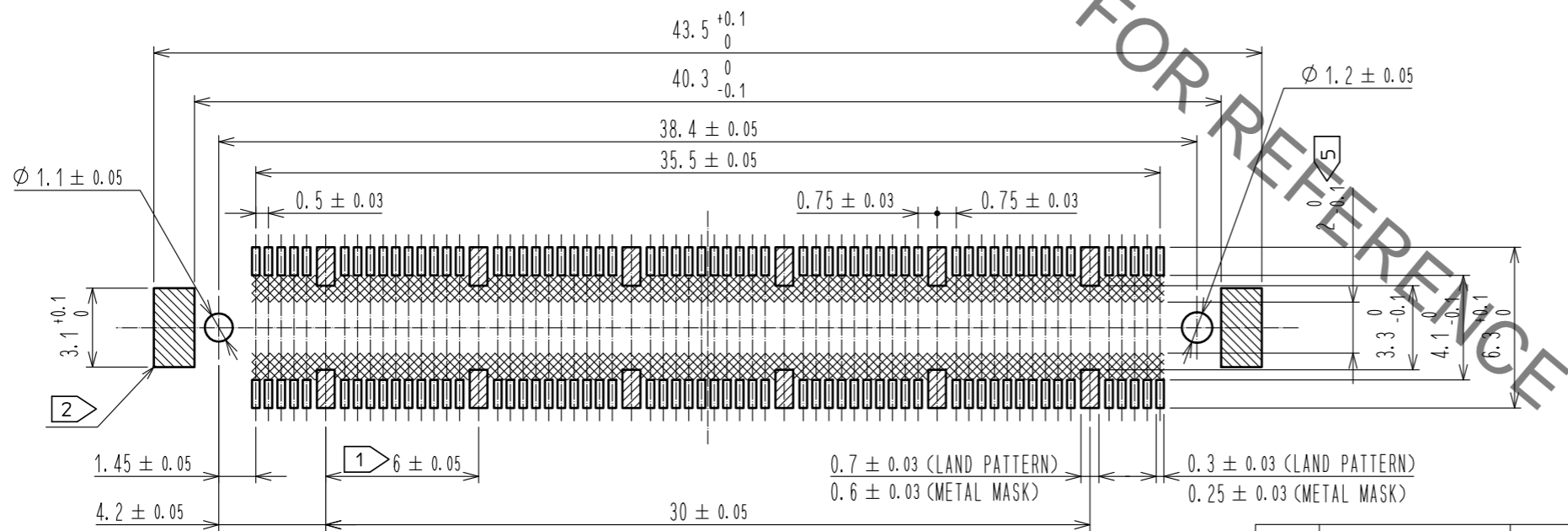
CROSS CUT SECTION - SIGNAL(5:1)



CROSS CUT SECTION - GROUND(5:1)



RECOMMENDED LAND PATTERN DIMENSION OF PCB  
 (RECOMMENDED METAL MASK THICKNESS : 0.15mm)



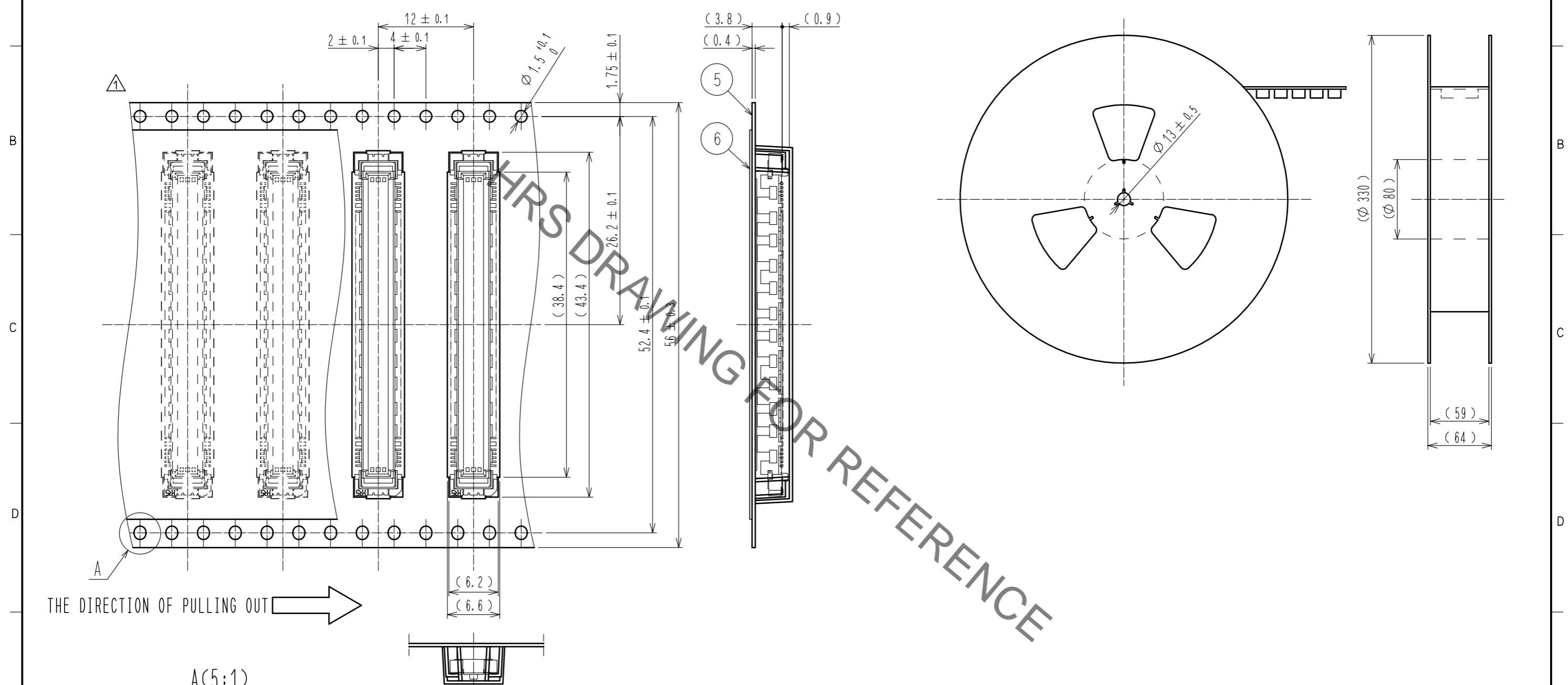
- NOTES
- 1 12 HATCHED PARTS : GROUND CIRCUIT.
  - 2 2 HATCHED PARTS : GROUND CIRCUIT.
  - 3 SMT LEAD-COPLANARITY : 0.1 MAX.
  - 4 THIS PRODUCT HAS NO POLARITY TO PATTERN FOR MOUNTING.
  - 5 MAKE SURE WIDTH OF PATTERN IS WITHIN THAT OF LAND, OR LEAD MAY TOUCH PATTERN. (THIS APPLIES TO HATCHED AREA.)
  - 6 EMBOSS CARRIER TAPE PACKAGE IS APPLIED ON THIS PRODUCT. PLEASE REFER TO THE SHEET 2/2 FOR THE DETAILS.
  - 7 THE DIMENSIONS IN PARENTHESES ARE FOR REFERENCE.

4	PHOSPHOR BRONZE	TIN-PLATING			
3	PHOSPHOR BRONZE	CONTACT AREA :GOLD 0.1μm min.			
		LEAD AREA :TIN-PLATING 1μm min.			
		UNDER PLATING:NICKL 1μm min.			
2	PHOSPHOR BRONZE	TIN-PLATING	6	POLYESTER	TOP COVER TAPE
1	LCP	BEIGE	5	POLYSTYRENE	EMBOSSED CARRIER TAPE
NO.	MATERIAL	FINISH . REMARKS	NO.	MATERIAL	FINISH . REMARKS
UNITS	mm	SCALE	4 : 1	COUNT	1
DESCRIPTION OF REVISIONS			DESIGNED	CHECKED	DATE
DIS-F-00015123			SY. KUDO	HT. YAMAGUCHI	20220831
APPROVED :HS. OKAWA			20080303	DRAWING NO. EDC-151946-91-21	
CHECKED :HS. OZAWA			20080303	PART NO. FX10A-120P/12-SV(91)	
DESIGNED :SY. KAMIGA			20080303	CODE NO. CL0570-0003-0-91	
DRAWN :HK. SUNADORI			20080229		

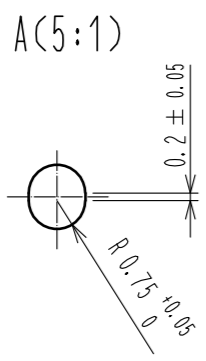
Apr.1.2023 Copyright 2023 HIROSE ELECTRIC CO., LTD. All Rights Reserved.  
 In case of consideration for using Automotive equipment / device which demand high reliability, kindly contact our sales window correspondents.

# DRAWING FOR PACKING(2:1)

REELED DIMENSION (Free)



THE DIRECTION OF PULLING OUT →



- NOTES
- 8 1 REEL : 1000 CONNECTORS.
  - 9 MINIMUM 10 COMPARTMENTS FROM BOTH REEL ENDS REMAIN EMPTY.
  - 10 THIS PRODUCT HAS NO POLARITY TO TAPE AND REEL PACKAGING.
  - 11 THE DIMENSIONS IN PARENTHESES ARE FOR REFERENCE.

<b>HRS</b>	DRAWING NO.	EDC-151946-91-21
	PART NO.	FX10A-120P/12-SV(91)
	CODE NO.	CL0570-0003-0-91
		△ 2/2