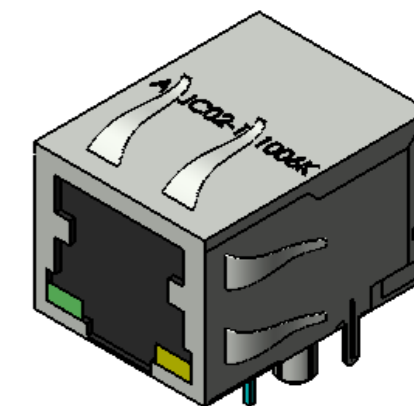
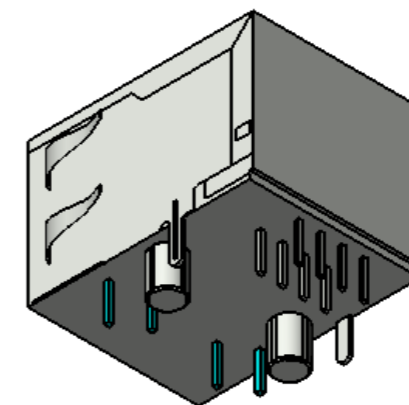
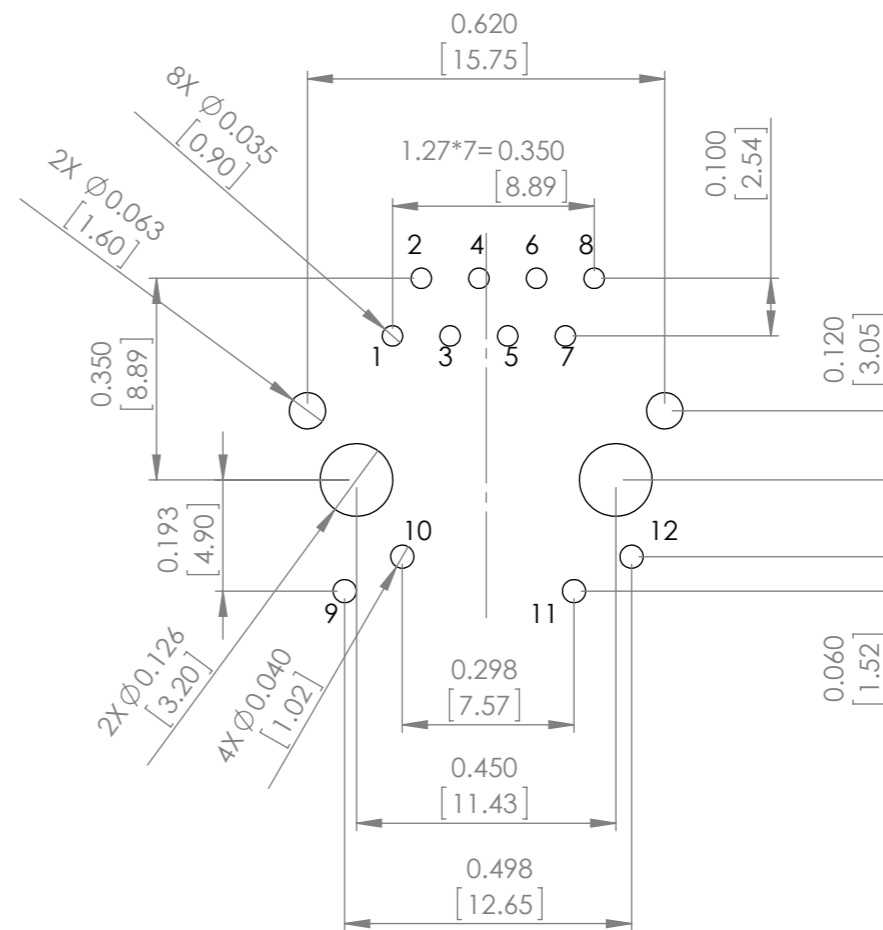



Recommended Land Pattern



TOP PACKAGE MARKING IS FOR ILLUSTRATION PURPOSES ONLY

| | | | | | | | | | | | |
|--|--|--|--|-----------|--|-----------------------------------|--|--|--|------------|--|
| UNLESS OTHERWISE SPECIFIED: DIMENSIONS ARE IN MM SURFACE FINISH: TOLERANCES: LINEAR: ANGULAR: | | | | FINISH: | | DEBUR AND BREAK SHARP EDGES | | DO NOT SCALE DRAWING | | REVISION - | |
| DRAWN - | | | | SIGNATURE | | DATE | |  30332 Esperanza, Rancho Santa margarita, California 92688 TITLE: RJ45 DWG NO. ARJC02-111006K SCALE:3:1 | | | |
| CHK'D XXXXXX | | | | | | | | | | | |
| APPV'D | | | | | | | | | | | |
| MFG | | | | | | | | | | | |
| Q.A | | | | | | | | | | | |
| | | | | MATERIAL: | | WEIGHT: | | SHEET 1 OF 1 | | A3 | |