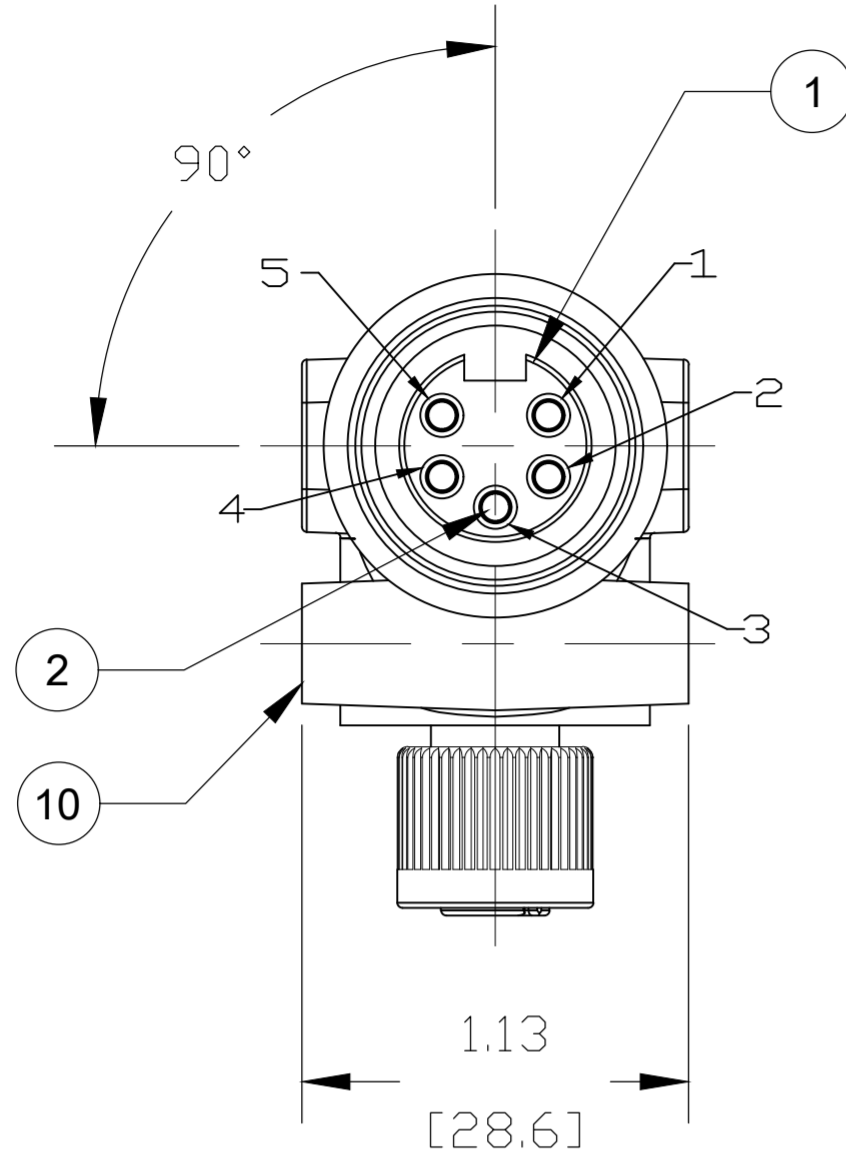
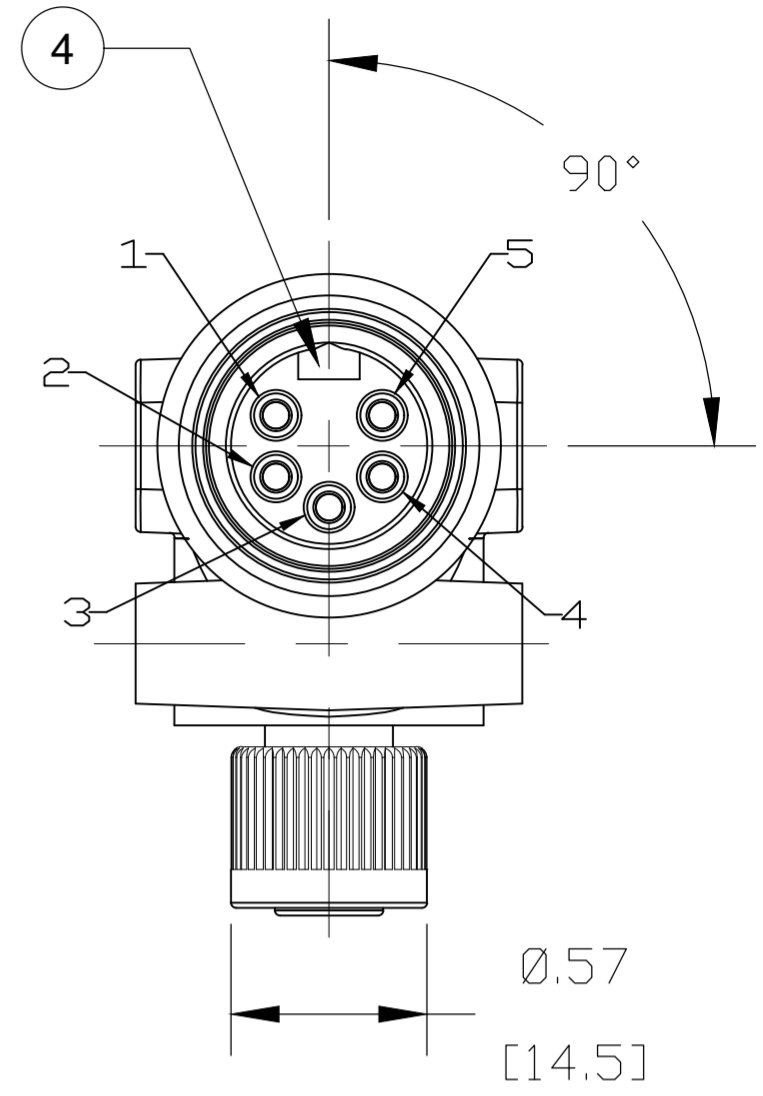
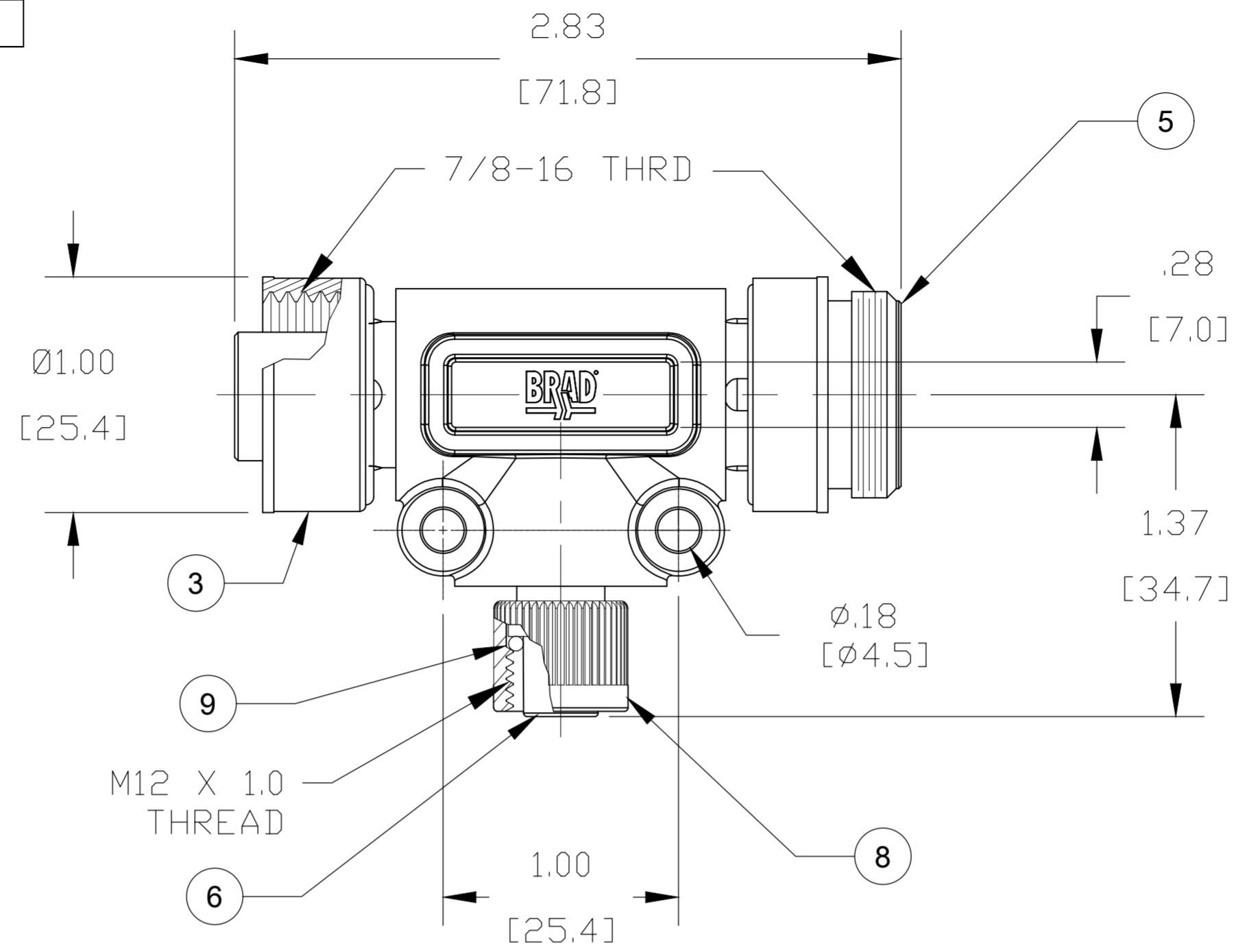


MOLEX P/N	ENGINEERING NO.	COUPLING NUT MATERIAL & FINISH
1300390341	DND3020	DIE CAST ZINC, BLACK E-COAT
1300390342	DND3020SS	ST. STEEL, PASSIVATED

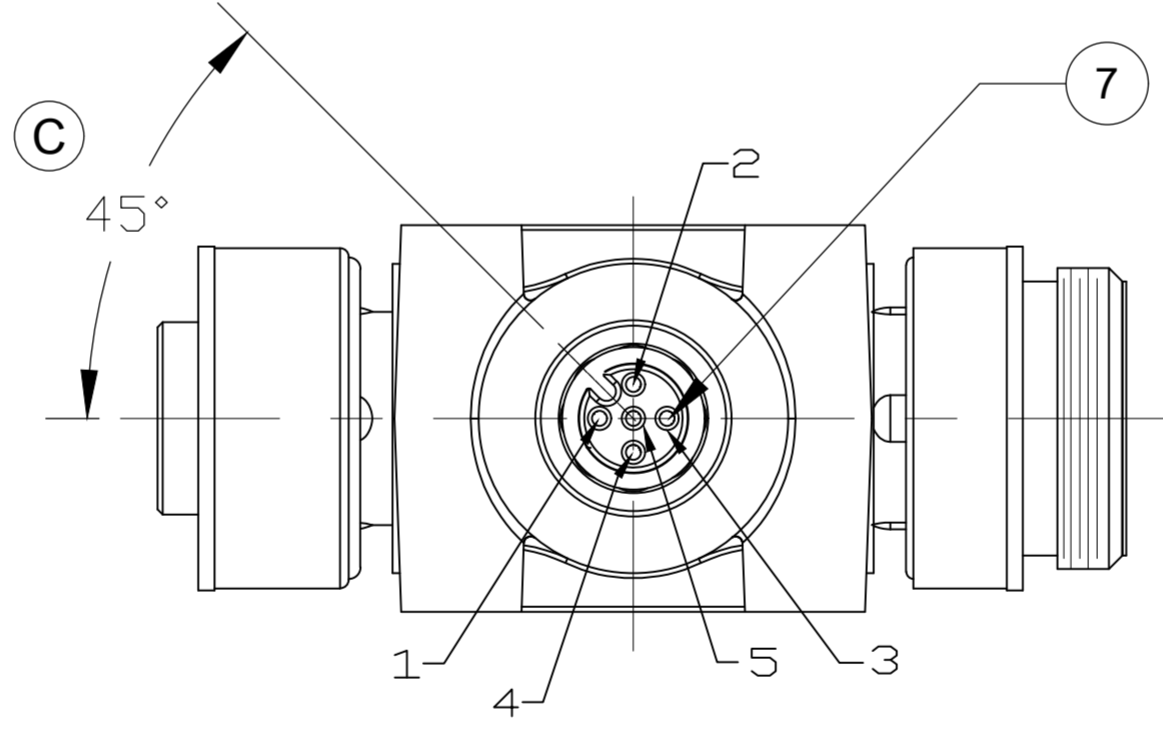


FEMALE FACE VIEW

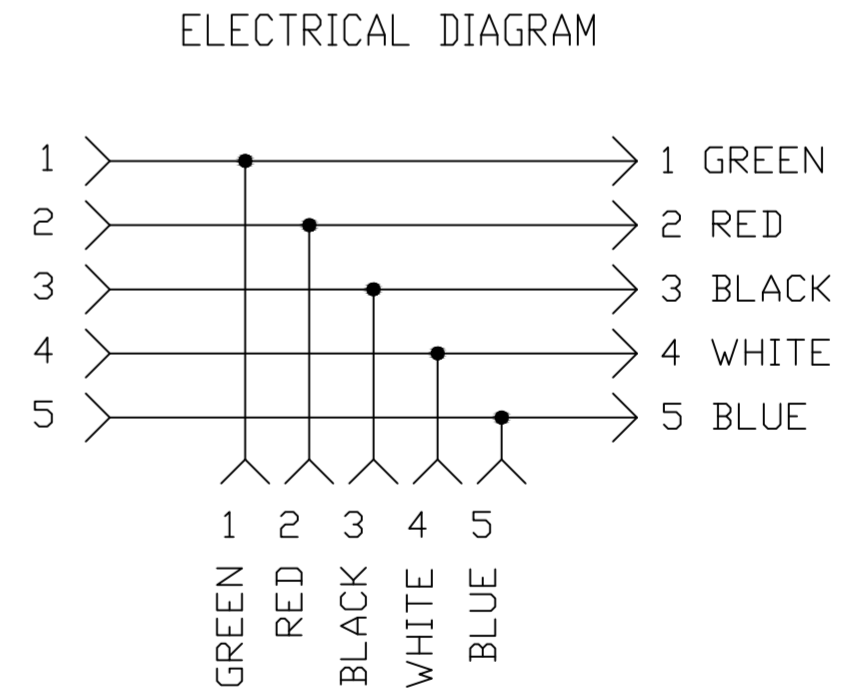


MALE FACE VIEW

- NOTES:**
1. MATERIAL: AS NOTED
 2. FINISH: AS NOTED
 3. ELECTRICAL:
VOLTAGE: 250VDC
CURRENT: ((TRUNK) 10A
CURRENT (DROP): 4A
 4. TEMP RATING: -25°C TO +105°C
 5. PROTECTION: IP67 (WHEN MATED)
 6. COUPLING THREADS: AS NOTED
 7. UL RECOGNIZED FILE: E152210
CSA CERTIFIED FILE: LR6837
 8. ALL DIMS ARE FOR REFERENCE UNLESS TOLERANCED OR NOTED OTHERWISE



FEMALE FACE VIEW (MIC DROP)



ITEM	DESCRIPTION	MATERIAL	FINISH
10	OVERMOLD	TPC	GRAY
9	O-RING	NITRILE	RED
8	MIC FEMALE COUPLING	SEE P/N CHART	SEE P/N CHART
7	CONTACT SOCKET	COPPER ALLOY	GOLD PLATED
6	MIC FEM INSERT 5P	NYLON	BLACK
5	MC COUPLING, MALE	SEE P/N CHART	SEE P/N CHART
4	MC MALE INSERT 5P	TPC	GRAY
3	MC COUPLING, FEMALE	SEE P/N CHART	SEE P/N CHART
2	CONTACT SKT/PIN	COPPER ALLOY	GOLD PLATED
1	MC FEMALE INSERT 5P	TPC	GRAY

FUNCTIONAL SYMBOLS FA=0 EA=0 FA=0 DIVISIONAL SYMBOLS	DIMENSION UNITS: INCH/MM SCALE: 1:1		CURRENT REV DESC: CHANGED MIC KEY ORIENTATION	
	GENERAL TOLERANCES (UNLESS SPECIFIED)		EC NO: 650547 DRWN: RSTONE 2020/12/02 CHK'D: ALEON01 2020/12/07 APPR: BWOODMAN 2020/12/07	
	4 PLACES ± .000 ± .000 3 PLACES ± .000 ± .000 2 PLACES ± .000 ± .000 1 PLACE ± .000 ± .000 0 PLACES ± .000 ± .000		INITIAL REVISION: DRWN: RSTONE 2020/05/08 APPR: BWOODMAN 2020/05/14	
	ANGULAR TOL ± .000 ° DRAFT WHERE APPLICABLE MUST REMAIN WITHIN DIMENSIONS		THIRD ANGLE PROJECTION DRAWING: C-SIZE SERIES: 130039	
DOCUMENT NUMBER: 1300390341		DOC TYPE: PSD DOC PART: 000 REVISION: C		
MATERIAL NUMBER: SEE P/N CHART		CUSTOMER: --- SHEET NUMBER: 1 OF 1		