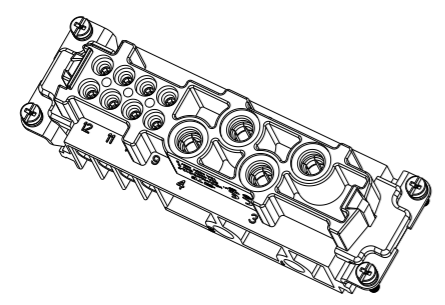


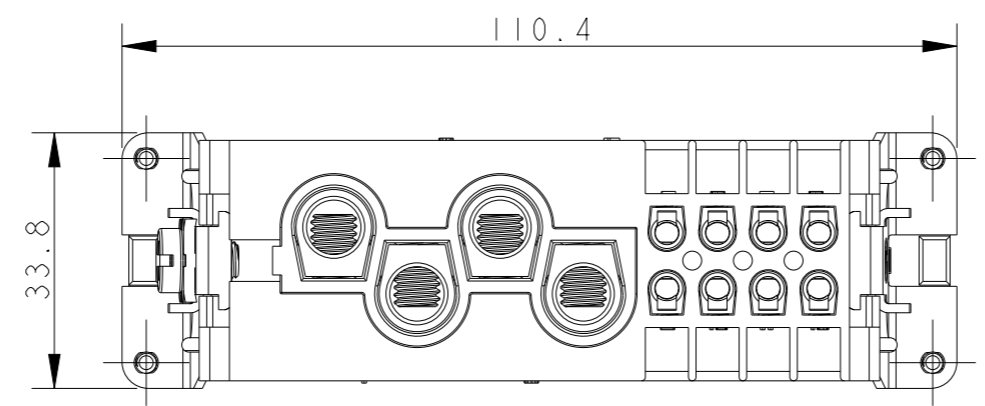
THIS DRAWING IS UNPUBLISHED. RELEASED FOR PUBLICATION 20  
 © COPYRIGHT 20 BY - ALL RIGHTS RESERVED.

REVISIONS

P	LTR	DESCRIPTION	DATE	DWN	APVD
A		INITIAL RELEASE	14APR2015	DL	CW
B		ECR-15-018481	22FEB2016	DL	CW
C		ECR-21-111798	09SEP2021	WQR	CW



SCALE 1:2



NOTES:

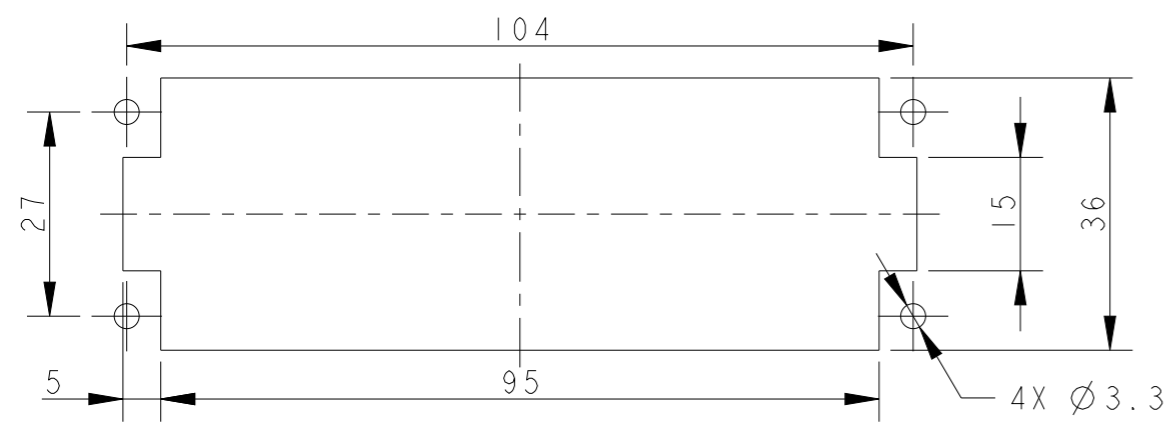
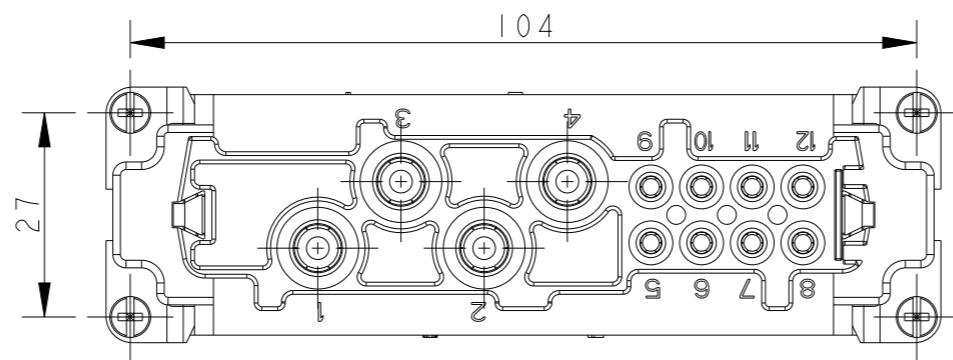
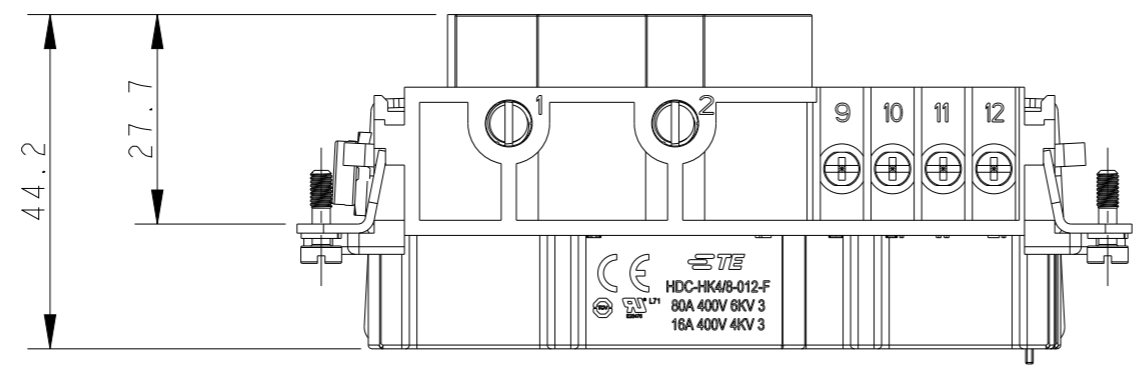
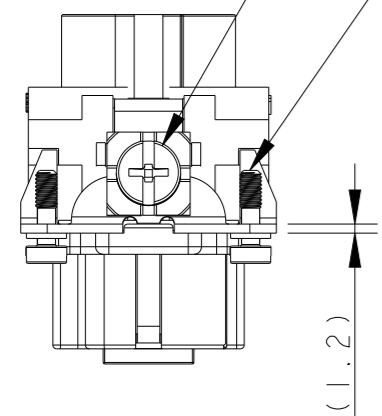
1. TECHNICAL CHARACTERISTICS:  
 INSULATION MATERIAL: PC  
 RATED VOLTAGE: POWER: 400 V; SIGNAL: 400 V  
 RATED CURRENT: POWER: 80 A; SIGNAL: 16 A  
 INSULATION RESISTANCE: >=400MΩ  
 RATED IMPULSE VOLTAGE: POWER: 6 KV; SIGNAL: 4 KV  
 POLLUTION DEGREE: 3  
 FLAMMABILITY: UL94V-0  
 MATING CYCLES: 500  
 OPERATION TEMPERATURE: -40-+125°C  
 WIRE RANGE: POWER: 1.5-16 mm<sup>2</sup> (16-5 AWG)  
 SIGNAL: 0.5-2.5 mm<sup>2</sup> (20-14 AWG)  
 CONTACT FINISH: SILVER PLATED  
 CONTACT TYPE: SCREW CONTACT

注释:

1. 技术参数:  
 绝缘材料: PC  
 额定电压: 电源: 400V; 信号: 400V  
 额定电流: 电源: 80A; 信号: 16A  
 绝缘电阻: >=400MΩ  
 额定脉冲电压: 电源: 6 KV; 信号: 4 KV  
 污染等级: 3  
 阻燃等级: UL94V-0  
 插拔次数: 500次  
 工作温度: -40-+125°C  
 接线范围: 电源: 1.5-16 mm<sup>2</sup> (16-5 AWG)  
 信号: 0.5-2.5 mm<sup>2</sup> (20-14 AWG)  
 端子表面处理: 镀银  
 接线类型: 螺丝压接

M5 THREAD  
 RECOMMENDED TIGHTENING TORQUE 2.0Nm

4 X M3 THREAD  
 RECOMMENDED TIGHTENING TORQUE 0.5Nm



PANEL CUT OUT FOR INSERTS FOR USING WITHOUT HOODS/HOUSINGS

THIS DRAWING IS A CONTROLLED DOCUMENT.

DIMENSIONS:	TOLERANCES UNLESS OTHERWISE SPECIFIED:
mm	
0 PLC	±-
1 PLC	±-
2 PLC	±-
3 PLC	±-
4 PLC	±-
ANGLES	±-
FINISH	

DWN	DAVID LI	14APR2015
CHK	CHRIS WANG	14APR2015
APVD	XU XIANG	14APR2015
PRODUCT SPEC	108-137129	
APPLICATION SPEC	114-137129	
WEIGHT	-	
CUSTOMER DRAWING		

T2100122201-000	HK4/8-012-F HK4/8-012 母插
PART NUMBER 料号	PART DESCRIPTION 描述



NAME		HK4/8-012-F	
SIZE	CAGE CODE	DRAWING NO	RESTRICTED TO
A3	-	©-T2100122201000	
SCALE 1:1		SHEET 1 OF 1	REV C