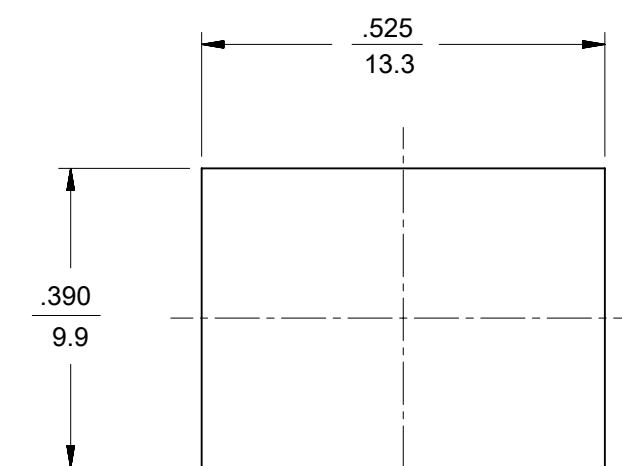
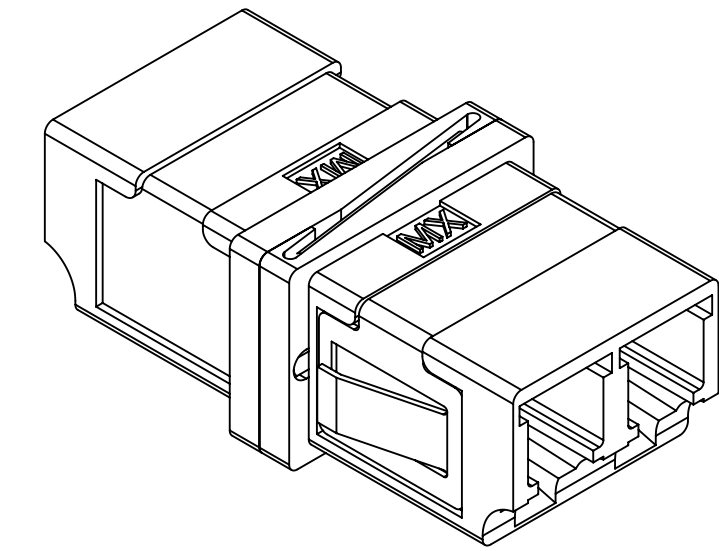
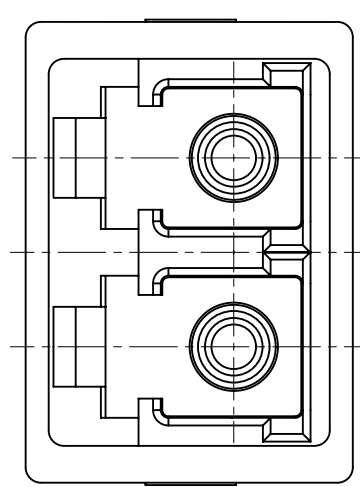
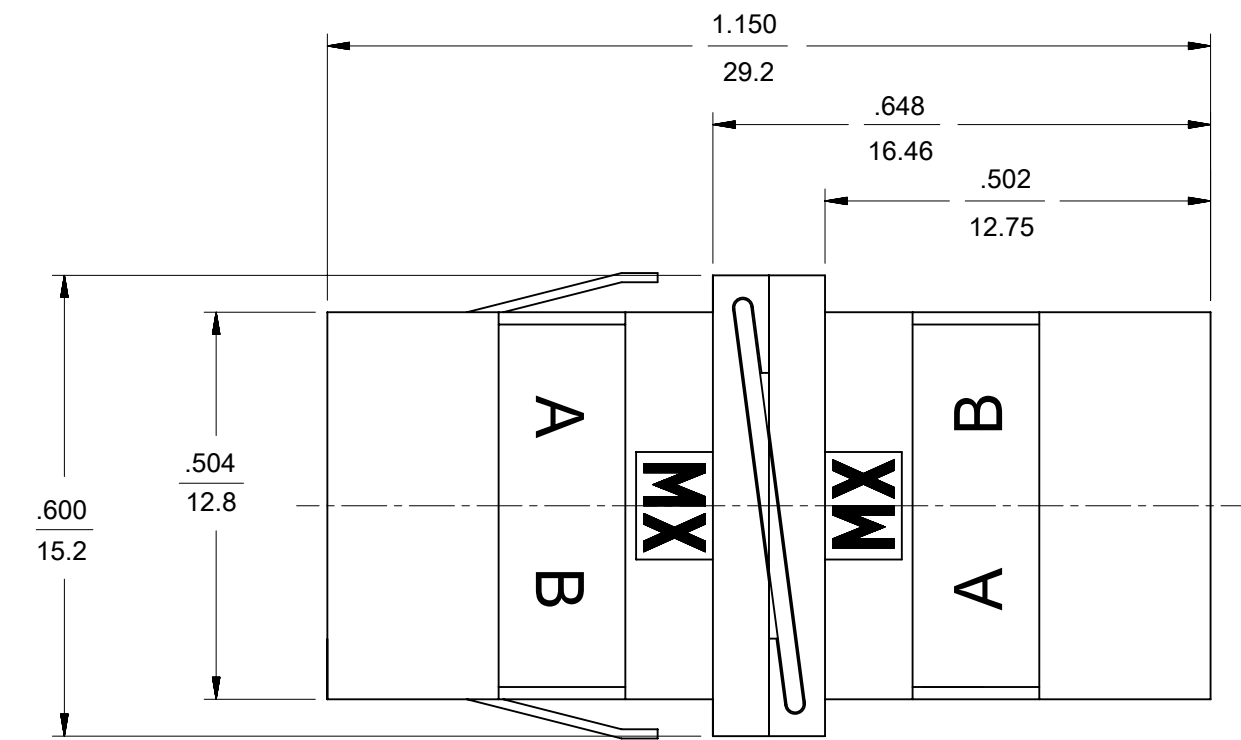
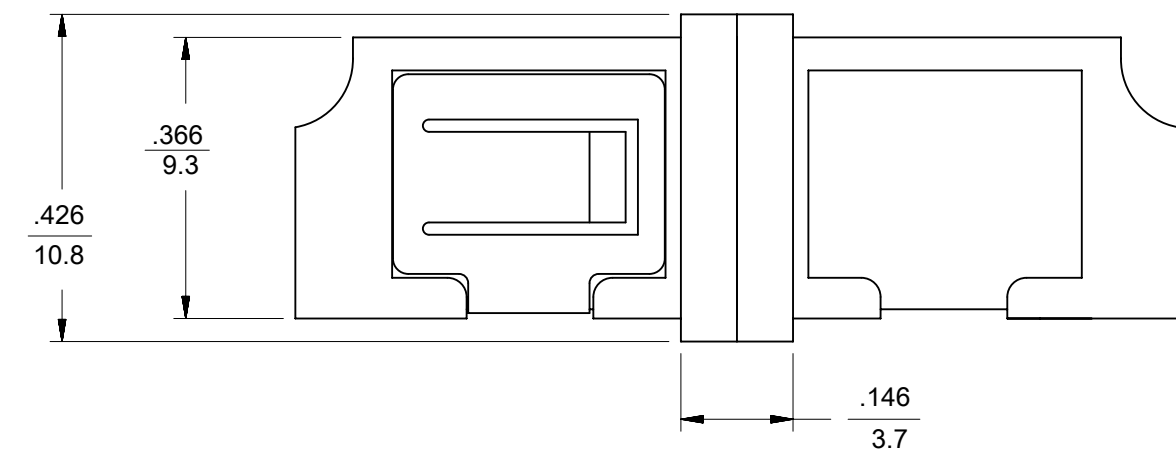


10	9
LC ADAPTER ASSY. P/N	LC SLEEVE MATERIAL
106126-1690	ZR



RECOMMENDED MOUNTING PATTERN
FOR $\frac{.063}{1.6}$ THICK PANEL

- NOTES:
1. ALL DIMENSIONS ARE FOR REFERENCE ONLY.
 2. DUST CAPS NOT SHOWN.
 3. ADAPTERS TO BE PACKAGED IN TRAY.

THIS DRAWING CONTAINS INFORMATION THAT IS PROPRIETARY TO MOLEX ELECTRONIC TECHNOLOGIES, LLC AND SHOULD NOT BE USED WITHOUT WRITTEN PERMISSION																																																									
DIMENSION UNITS IN/MM		SCALE 4:1		CURRENT REV DESC: OBSOLETE PART NO																																																					
GENERAL TOLERANCES (UNLESS SPECIFIED)				<table border="0"> <tr> <td colspan="2">EC NO: 625872</td> <td colspan="4" rowspan="5"> </td> </tr> <tr> <td colspan="2">DRWN: AKUMAR19</td> <td colspan="2">2019/08/21</td> <td colspan="4" rowspan="4"> <table border="1"> <tr> <td colspan="3">LC DUPLEX ADAPTER</td> </tr> <tr> <td colspan="3">PRODUCT CUSTOMER DRAWING</td> </tr> <tr> <td>DOCUMENT NUMBER</td> <td>DOC TYPE</td> <td>DOC PART</td> <td>REVISION</td> </tr> <tr> <td>SD-106126-X690</td> <td>PSD</td> <td>001</td> <td>B</td> </tr> </table> </td> </tr> <tr> <td colspan="2">CHK'D: GB</td> <td colspan="2">2019/11/06</td> </tr> <tr> <td colspan="2">APPR: GGA</td> <td colspan="2">2019/11/12</td> </tr> <tr> <td colspan="2">INITIAL REVISION:</td> <td colspan="2">2005/10/05</td> </tr> <tr> <td colspan="2">DRWN: PGIBLIN</td> <td colspan="2">2005/10/05</td> </tr> <tr> <td colspan="2">APPR:</td> <td colspan="2"></td> </tr> </table>						EC NO: 625872						DRWN: AKUMAR19		2019/08/21		<table border="1"> <tr> <td colspan="3">LC DUPLEX ADAPTER</td> </tr> <tr> <td colspan="3">PRODUCT CUSTOMER DRAWING</td> </tr> <tr> <td>DOCUMENT NUMBER</td> <td>DOC TYPE</td> <td>DOC PART</td> <td>REVISION</td> </tr> <tr> <td>SD-106126-X690</td> <td>PSD</td> <td>001</td> <td>B</td> </tr> </table>				LC DUPLEX ADAPTER			PRODUCT CUSTOMER DRAWING			DOCUMENT NUMBER	DOC TYPE	DOC PART	REVISION	SD-106126-X690	PSD	001	B	CHK'D: GB		2019/11/06		APPR: GGA		2019/11/12		INITIAL REVISION:		2005/10/05		DRWN: PGIBLIN		2005/10/05		APPR:			
EC NO: 625872																																																									
DRWN: AKUMAR19										2019/08/21						<table border="1"> <tr> <td colspan="3">LC DUPLEX ADAPTER</td> </tr> <tr> <td colspan="3">PRODUCT CUSTOMER DRAWING</td> </tr> <tr> <td>DOCUMENT NUMBER</td> <td>DOC TYPE</td> <td>DOC PART</td> <td>REVISION</td> </tr> <tr> <td>SD-106126-X690</td> <td>PSD</td> <td>001</td> <td>B</td> </tr> </table>								LC DUPLEX ADAPTER			PRODUCT CUSTOMER DRAWING			DOCUMENT NUMBER	DOC TYPE	DOC PART	REVISION	SD-106126-X690	PSD	001	B																				
LC DUPLEX ADAPTER																																																									
PRODUCT CUSTOMER DRAWING																																																									
DOCUMENT NUMBER	DOC TYPE					DOC PART	REVISION																																																		
SD-106126-X690	PSD	001	B																																																						
CHK'D: GB		2019/11/06																																																							
APPR: GGA		2019/11/12																																																							
INITIAL REVISION:		2005/10/05																																																							
DRWN: PGIBLIN		2005/10/05																																																							
APPR:																																																									
4 PLACES	±	MM	±	INCH		±																																																			
3 PLACES	±	MM	±	INCH		±																																																			
2 PLACES	±	MM	±	INCH		±																																																			
1 PLACE	±	MM	±	INCH		±																																																			
0 PLACES	±	MM	±	INCH		±																																																			
ANGULAR TOL		± 0.5°		APPR:																																																					
DRAFT WHERE APPLICABLE MUST REMAIN WITHIN DIMENSIONS				THIRD ANGLE PROJECTION		DRAWING		SERIES																																																	
						B-SIZE		106126																																																	
SEE TABLE				GENERAL MARKET		SHEET NUMBER		1 OF 1																																																	

DOCUMENT STATUS	P1	RELEASE DATE	2019/11/12	07:17:55
-----------------	----	--------------	------------	----------