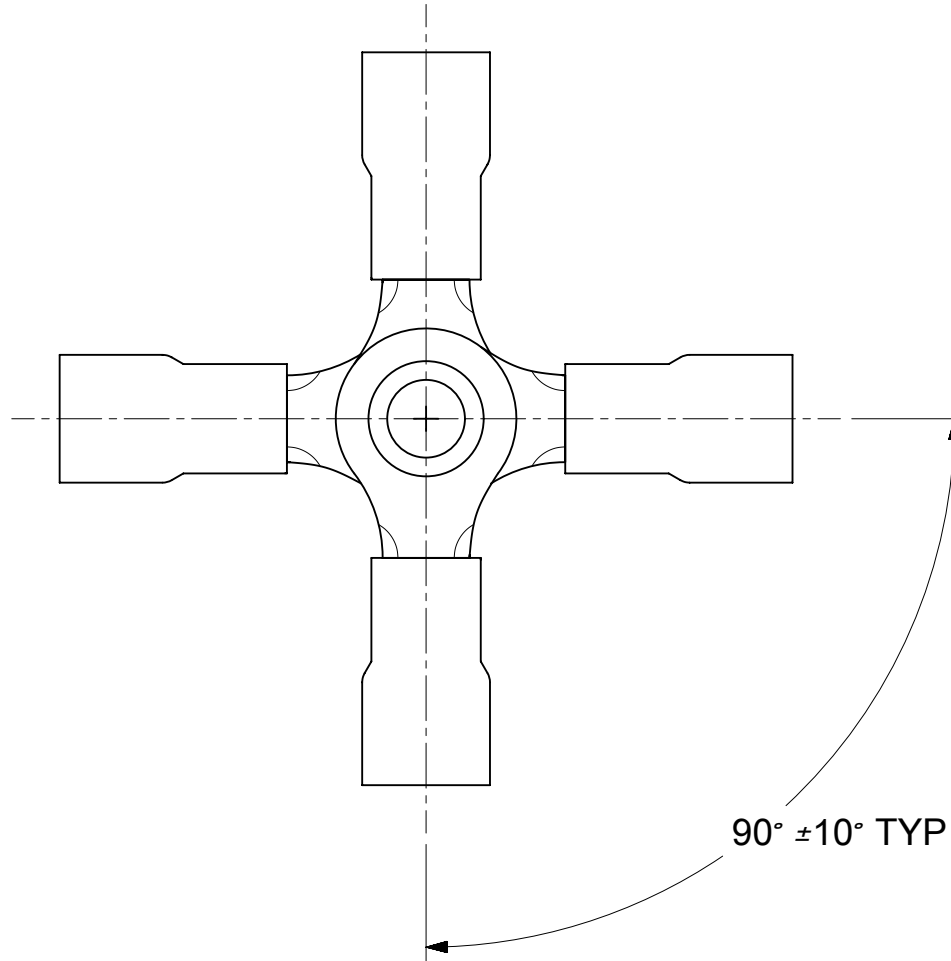



ASSEMBLY NUMBER	
MATERIAL NUMBER	ENGINEERING NUMBER
192040001	A-1XC
192040003	A-2XCX
192040008	A-5XC
192040011	B-1XC
192040013	B-2XCX
192040017	B-5XC
192040021	B-8XC
192040023	C-1XC
192040025	C-2XCX
192040029	C-5XC
191640284	SA-2XCX
191640041	SB-2XCX
191640285	SC-2XCX



THIS DRAWING CONTAINS INFORMATION THAT IS PROPRIETARY TO MOLEX ELECTRONIC TECHNOLOGIES, LLC AND SHOULD NOT BE USED WITHOUT WRITTEN PERMISSION									
SYMBOLS	DIMENSION UNITS		SCALE		CURRENT REV DESC: RMV OBSO P/N'S:		 4-WAY CONNECTOR ASSEMBLY		
	IN/MM	NTS			192040006, -0015, -0027, -0019.				
▽ = 0	GENERAL TOLERANCES (UNLESS SPECIFIED)				EC NO: 630573		<b>PRODUCT CUSTOMER DRAWING</b> DOCUMENT NUMBER: SD-19204-002 DOC TYPE: PSD DOC PART: 001 REVISION: C1		
▽ = 0			MM	INCH	DRWN: DMYRICK 2020/01/15				
▽ = 0					CHK'D: JMACNEIL 2020/01/15		SHEET NUMBER: 1 OF 1		
▽ = 0					APPR: JMACNEIL 2020/01/15				
▽ = 0					INITIAL REVISION:		MATERIAL NUMBER: SEE CHART CUSTOMER: GENERAL MARKET		
▽ = 0					DRWN: DMYRICK 2003/05/16				
▽ = 0					APPR: RDEROSS 2003/05/16		SERIES: 19204		
▽ = 0					DRAFT WHERE APPLICABLE MUST REMAIN WITHIN DIMENSIONS				
▽ = 0					THIRD ANGLE PROJECTION		A-SIZE		
▽ = 0					DRAWING				

DOCUMENT STATUS	P1	RELEASE DATE	2020/01/15	21:55:54
-----------------	----	--------------	------------	----------