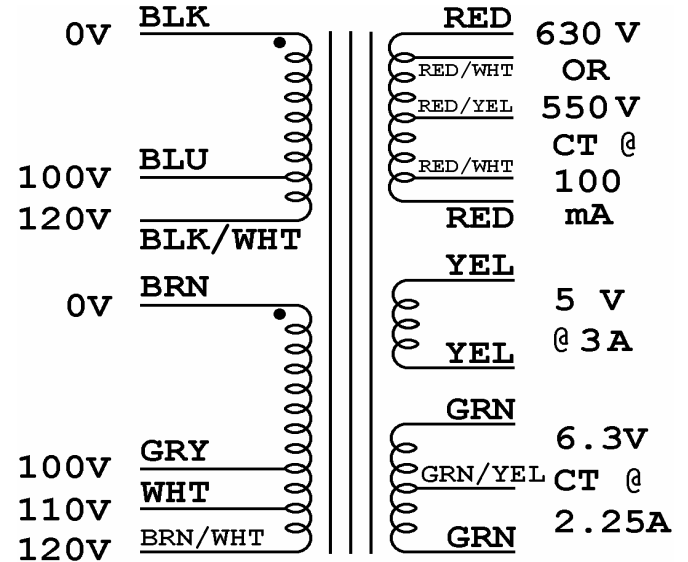
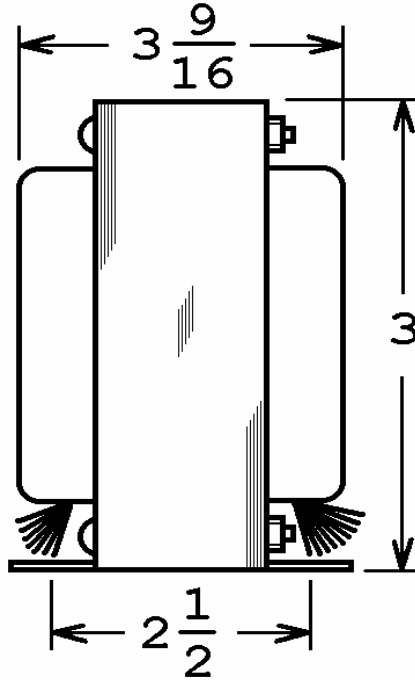
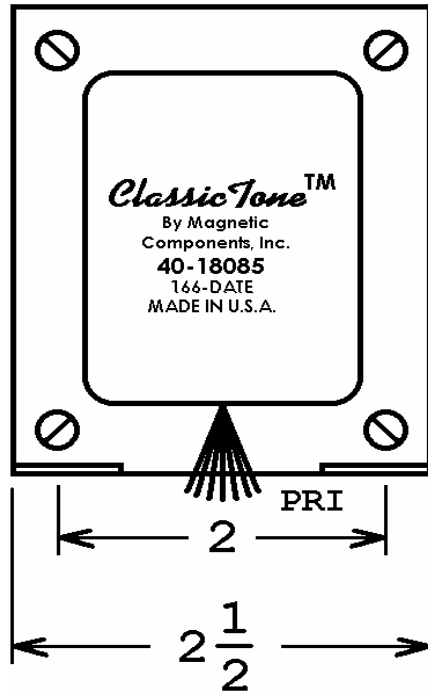


This drawing is the property of Magnetic Components, Inc. and shall not be reproduced, in whole or in part, without the written permission of Magnetic Components, Inc.

REVISIONS			
LTR	DESCRIPTION	DATE	APPROVED
A	5V @ 3A WAS 2A IN ERROR	08/08/14	M. SACKETTI
B	6.3V WAS 2A	02/02/17	M. SACKETTI



SEE SHEET 2 FOR PRIMARY CONNECTIONS

PLATE WINDING :

315V-0-315V (630V CT) RED-RED/YEL-RED OR
 275V-0-275V (550V CT) RED/WHT-RED/YEL-RED/WHT

SEE CHART BELOW FOR B+ VOLTAGES

PLATE VOLTAGES

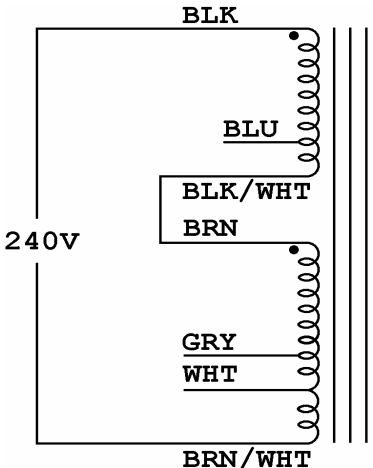
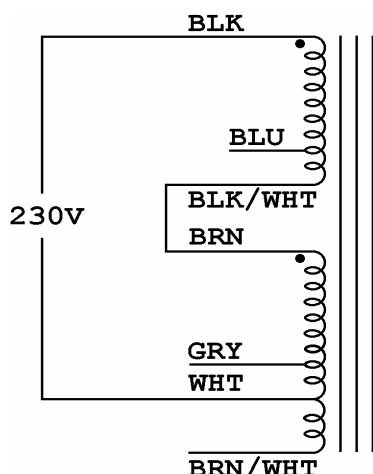
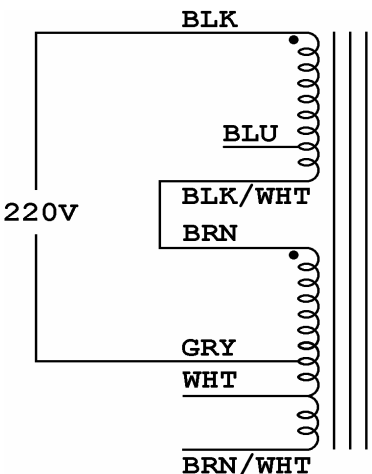
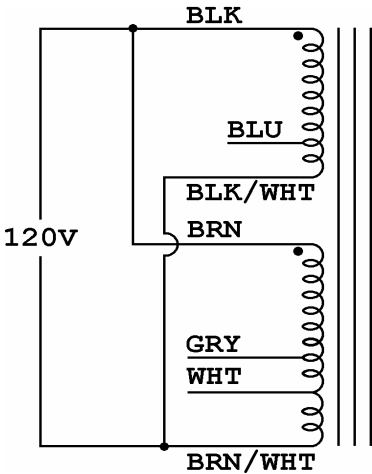
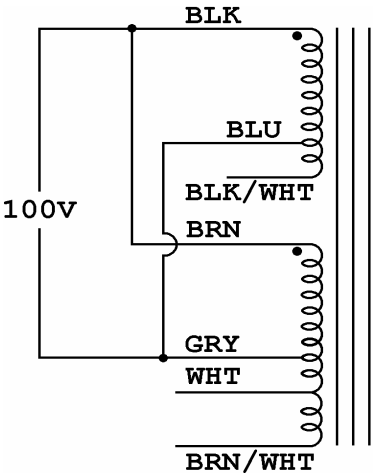
VALUES BELOW @ 100mADC LOAD WITH 120V, 60CY INPUT

TAPS	RECT.	B+
RED	5Y3GT	363VDC
RED	5AR4	375VDC
RED	1N4007	398VDC
R/W	5Y3GT	315VDC
R/W	5AR4	326VDC
R/W	1N4007	349VDC

UNLESS OTHERWISE SPECIFIED		SIGNATURES		DATE	MAGNETIC COMPONENTS, INC.			DIV :		
ALL DIMENSIONS IN INCHES DO NOT SCALE DRAWING		DRAWN : <i>M. Sacketti</i>		03 FEB 2012	TITLE			LOC : SCHILLER PK		
CHECK :		APPR : <i>M. Sacketti</i>		03 FEB 2012	POWER TRANSFORMER			REV		
FRACTIONS +/-		CAGE		50508	SIZE	PART No.		B		
.X = +/-		SCALE		NONE	A		40-18085		SHEET : 1 OF 2	
.XX = +/-										
.XXX = +/-										
ANGLES = +/-										

This drawing is the property of Magnetic Components, Inc. and shall not be reproduced, in whole or in part, without the written permission of Magnetic Components, Inc.

REVISIONS			
LTR	DESCRIPTION	DATE	APPROVED



UNLESS OTHERWISE SPECIFIED ALL DIMENSIONS IN INCHES DO NOT SCALE DRAWING FRACTIONS +/- .X = +/- .XX = +/- .XXX = +/- ANGLES = +/-	SIGNATURES		DATE	MAGNETIC COMPONENTS, INC.		DIV : LOC : SCHILLER PK	
	DRAWN : <i>Muf</i>		03 FEB 2012	TITLE PRIMARY WIRING DIAGRAMS			
	CHECK :						
	APPR : <i>M. Locketa</i>		03 FEB 2012	CAGE 50508	SIZE A	PART No. 40-18085	REV B
			SCALE NONE	SHEET : 2 OF 2			