

DWG. NO. SD-57919-002

SIMILAR ITEM

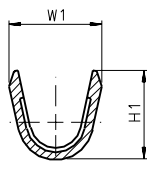
PROJECT NO.

C

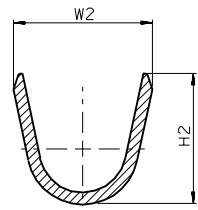
B

DO NOT SCALE DRAWING DIMENSION IN METRIC

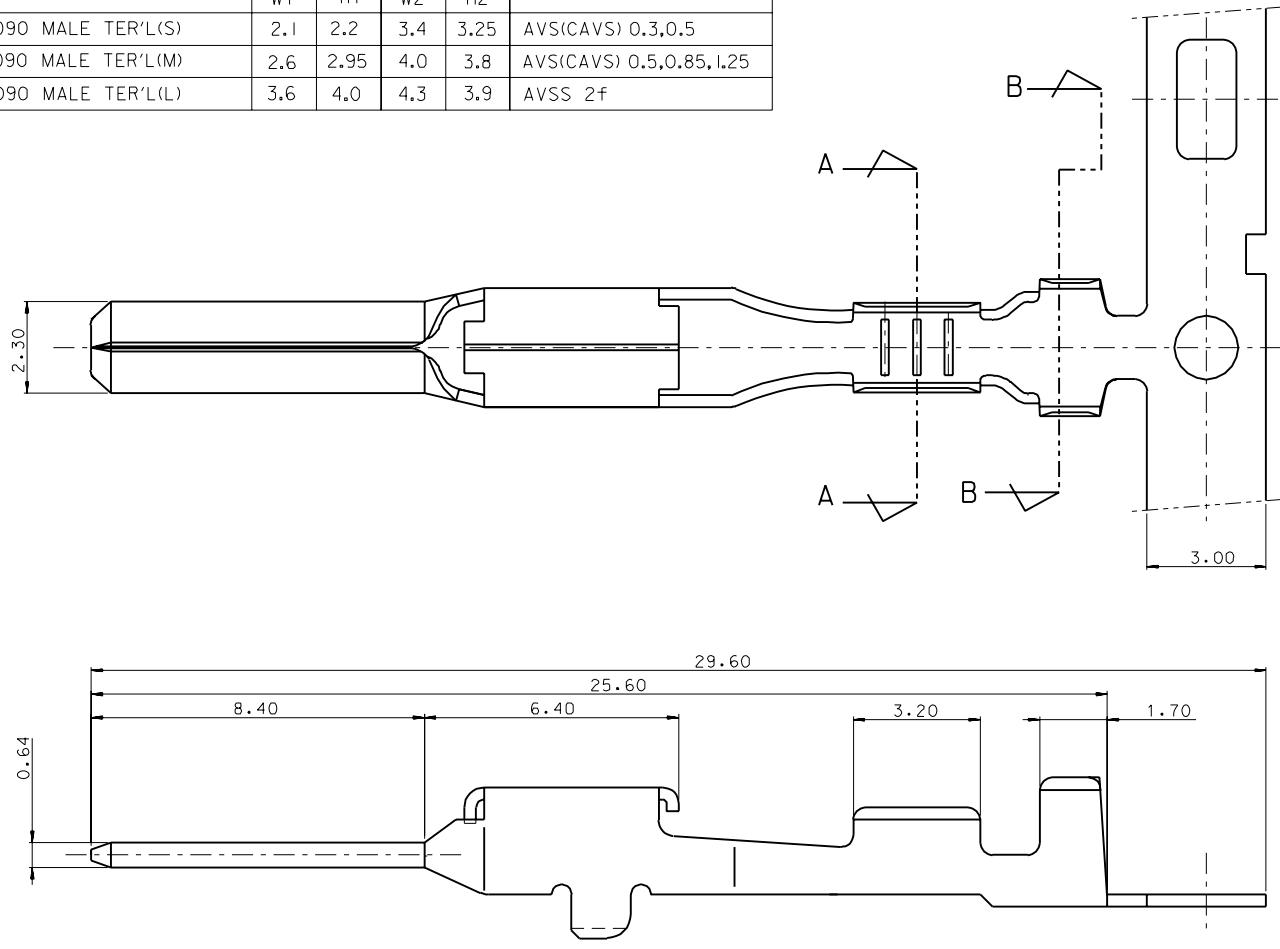
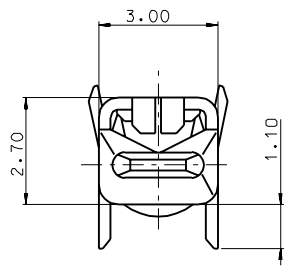
ENG.NO	MATERIAL NO.	DESCRIPTION	DIMENSION				WIRE RANGE mm <sup>2</sup>
			W1	H1	W2	H2	
57919-6702	579196702	.090 MALE TER'L(S)	2.1	2.2	3.4	3.25	AVS(CAVS) 0.3,0.5
57919-6802	579196802	.090 MALE TER'L(M)	2.6	2.95	4.0	3.8	AVS(CAVS) 0.5,0.85,1.25
57919-6902	579196902	.090 MALE TER'L(L)	3.6	4.0	4.3	3.9	AVSS 2f



SECTION A-A



SECTION B-B



NOTE

- MATERIAL: BRASS, ±=0.3±0.02
- FINISH: PRE-TIN PLATED

RELEASE TO MANUFACTURING EC NO. DRWN: H.C.RHO 00/07/25 CHK: B.K.CHOI APPR: C.W.LEE	QUALITY SYMBOLS MAJOR = 0 CRITICAL C = 0	GENERAL TOLERANCES: (UNLESS SPECIFIED)		SCALE 8:1	DESIGN UNITS <input checked="" type="checkbox"/> mm <input type="checkbox"/> INCH	THIRD ANGLE <input checked="" type="checkbox"/> PROJECTION	DIMENSIONS: <input type="checkbox"/> mm <input type="checkbox"/> INCH <input checked="" type="checkbox"/> mm ONLY	SHT REV
		4 PLACES ±0. ±.	DRAWN BY & DATE H.C.RHO 00/07/25	TITLE: .090 MALE TERMINAL				
		3 PLACES ±0. ±.	CHECKED BY & DATE B.K.CHOI 00/07/25	MOLEX INCORPORATED KOREA				
		2 PLACES ±0.30 ±.	APPROVED BY & DATE C.W.LEE 00/07/25	MATERIAL NO. SEETABLE	DRAWING NO. SD-57919-002	SHEET NO. 1 OF 1		
1 PLACE ±0.30 ±.	ANGULAR: ± 1.0 °	CAD FILENAME	THIS DRAWING CONTAINS INFORMATION THAT IS PROPRIETARY TO MOLEX INCORPORATED AND SHOULD NOT BE USED WITHOUT WRITTEN PERMISSION.					
A	REV	DRAFT WHERE APPLICABLE MUST REMAIN WITHIN DIMENSIONS		SIZE B				

F  
E  
D  
C  
B  
A  
MX-A3