

6

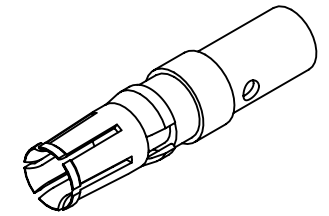
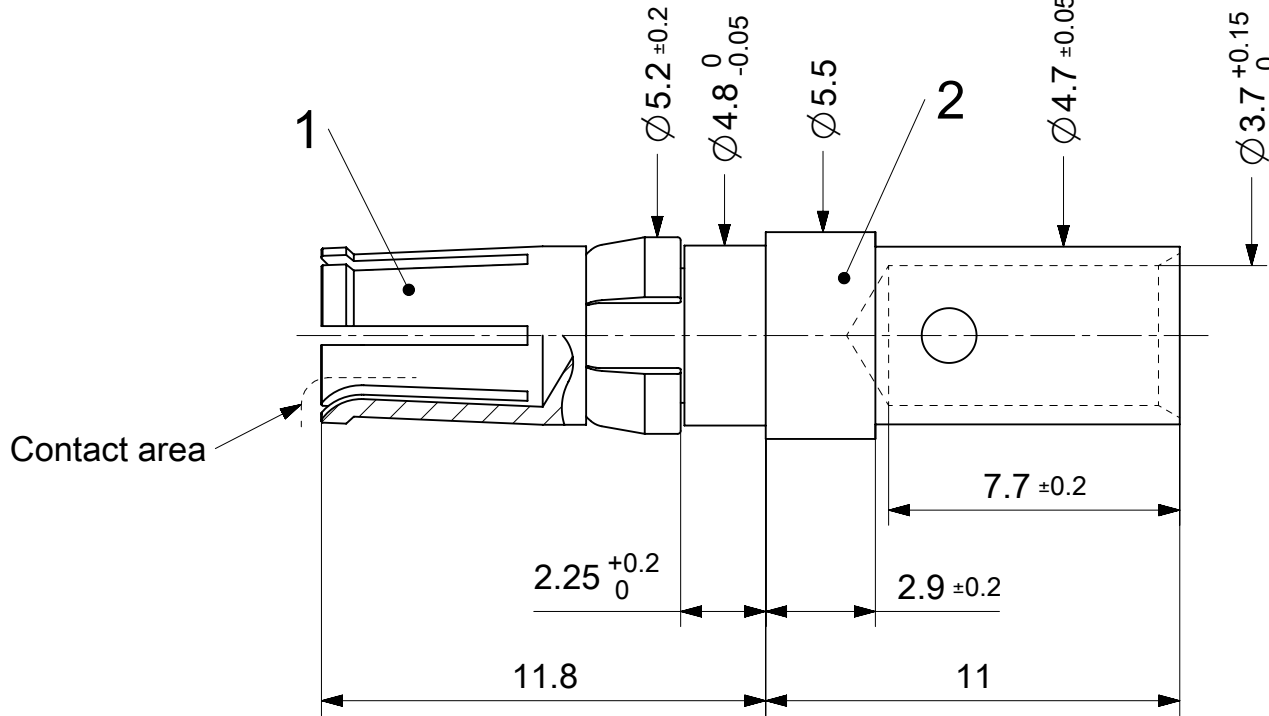
5

4

3

2

1



2:1

RoHS compliant
by exemption

Crimping tools see document 2195600660

1727040157	FMP053S103	103
1731120999	FMP053S106	106
1731121084	FMP053S204	204
Material Number	FCT Part Number	Material + Finish See extra sheet

UNLESS OTHERWISE SPECIFIED DIMENSIONS FOR REFERENCE ONLY				REPLACEMENT FOR DOCUMENT NUMBER: FMP053S			
THIS DRAWING CONTAINS INFORMATION THAT IS PROPRIETARY TO MOLEX ELECTRONIC TECHNOLOGIES, LLC AND SHOULD NOT BE USED WITHOUT WRITTEN PERMISSION							
FUNCTIONAL SYMBOLS		DIMENSION UNITS		SCALE		CURRENT REV DESC: A24297	
$\frac{F}{A} = 0$ $\frac{E}{E} = 0$ $\frac{P}{P} = 0$		mm		5:1		EC NO: 686737	
DIVISIONAL SYMBOLS		GENERAL TOLERANCES (UNLESS SPECIFIED)		DRWN: VLOKESHA		2021/04/06	
		ANGULAR TOL ± °		CHK'D: MTEUBEL		2021/11/29	
		4 PLACES ±		APPR: MTEUBEL		2021/11/29	
		3 PLACES ±		INITIAL REVISION:		DOCUMENT NUMBER	
		2 PLACES ±		DRWN: VLOKESHA		1727040157	
		1 PLACE ±		APPR: MTEUBEL		PSD	
		0 PLACES ±		2021/04/06		DOC TYPE	
		DRAFT WHERE APPLICABLE MUST REMAIN WITHIN DIMENSIONS		2021/11/29		000	
		FIRST ANGLE PROJECTION		DRAWING		REVISION	
		A4-SIZE		SERIES		A	
		172704		MATERIAL NUMBER		SHEET NUMBER	
		SEE TABLE		CUSTOMER		1 OF 1	
		GENERAL MARKET					

DOCUMENT STATUS | P1 | RELEASE DATE | 2021/11/29 | 13:31:31

6

5

4

3

2

1