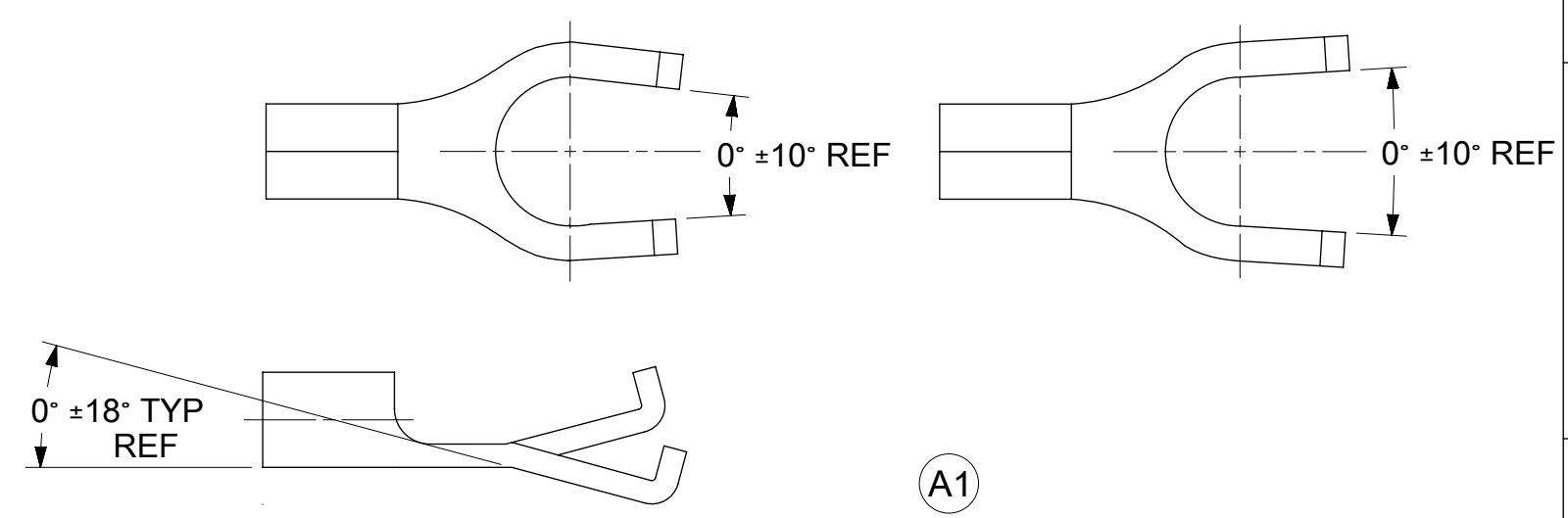
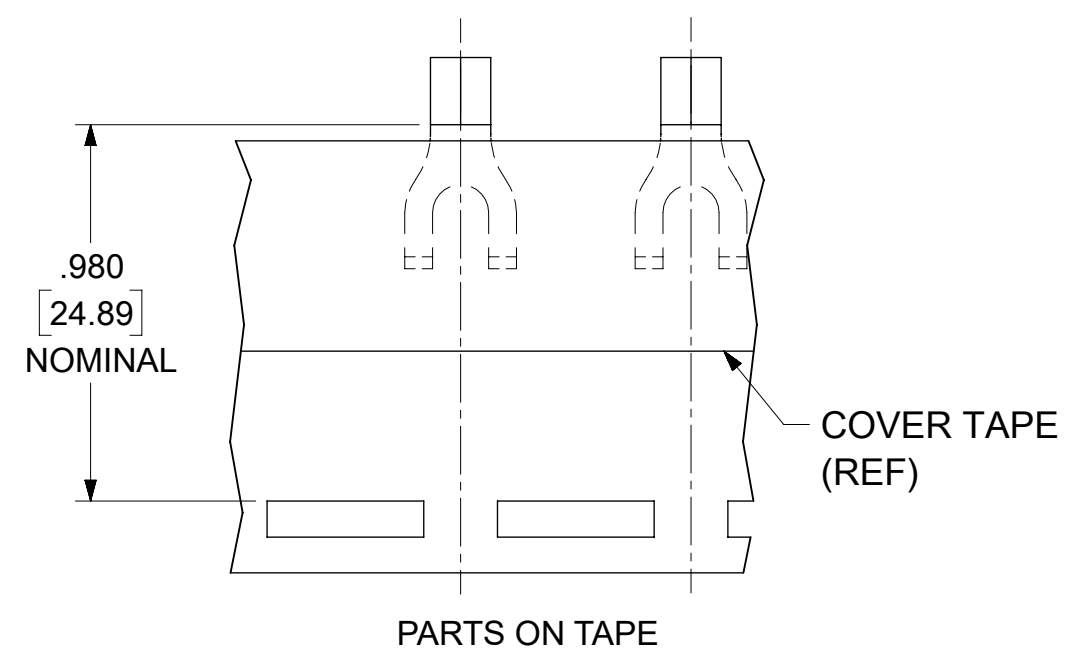
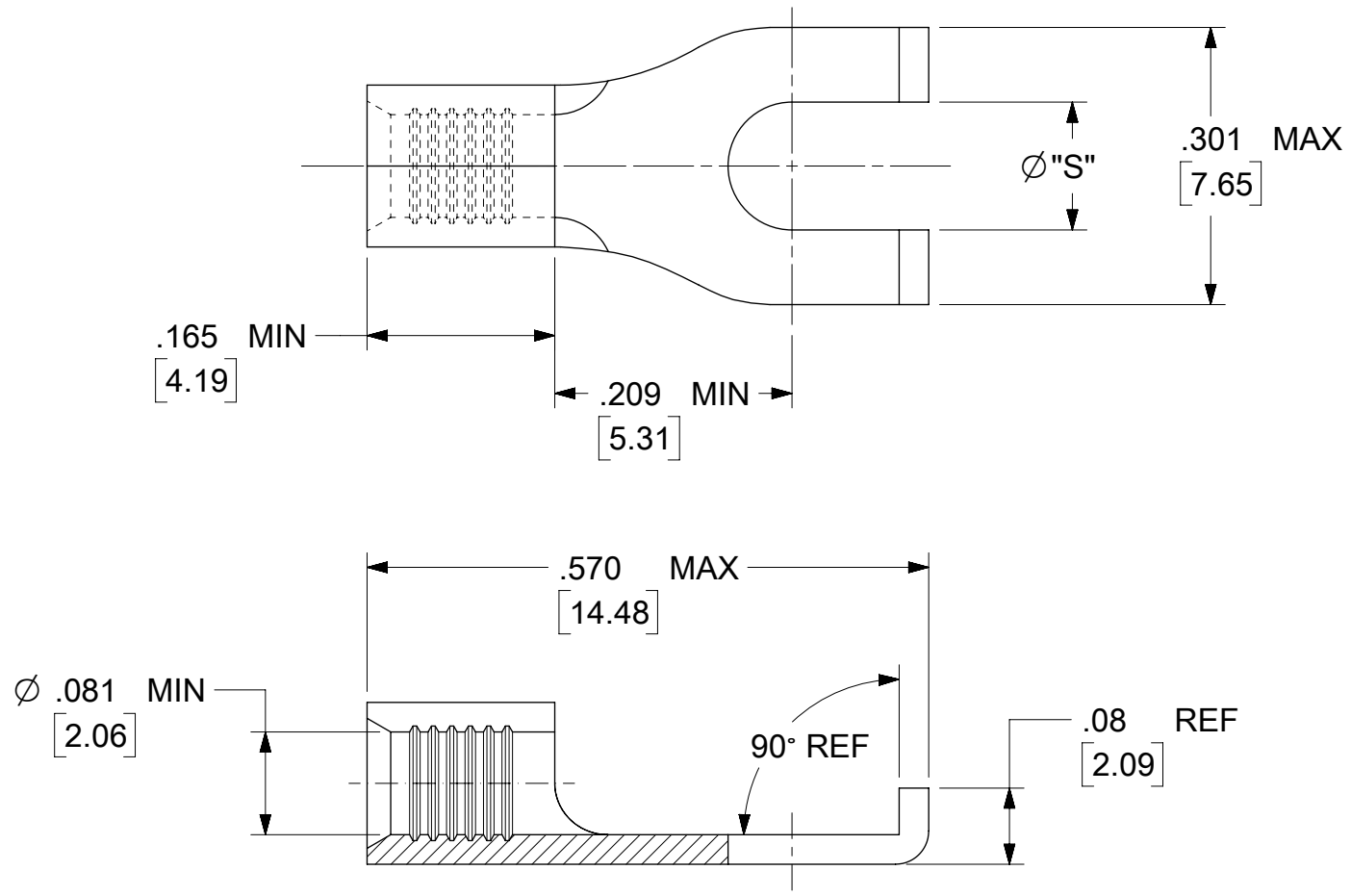


MAT'L NO.	ENG NO.	MAT'L NO. (TAPED)	ENG NO. (TAPED)	STUD SIZE	"S" ± .005 (0.13)
191180054	BB-116-06	191180055	BB-116-06T	6	.146(3.71)
191180056	BB-116-08	191180057	BB-116-08T	8	.173(4.39)
191180058	BB-116-10	191180059	BB-116-10T	10	.198(5.03)



ALLOWABLE BENDING OF PARTS.
PARTS WILL FLATTEN OUT DURING INSTALLATION.

- NOTE(S):
1. MATERIAL: COPPER .031(0.79) THICK
 2. PLATING: ELECTRO-TIN
 3. PART IS RoHS COMPLIANT

THIS DRAWING CONTAINS INFORMATION THAT IS PROPRIETARY TO MOLEX ELECTRONIC TECHNOLOGIES, LLC AND SHOULD NOT BE USED WITHOUT WRITTEN PERMISSION									
FUNCTIONAL SYMBOLS	FA = 0	INCH/MM	SCALE	CURRENT REV DESC: ADD ALLOWABLE BENDING DETAIL VIEW W/ DIMS..					
	FE = 0	GENERAL TOLERANCES (UNLESS SPECIFIED)			EC NO: 708739 DRWN: DMYRICK 2022/05/26 CHKD: JMACNEIL 2022/06/01 APPR: JMACNEIL 2022/06/01 INITIAL REVISION: DRWN: APPR:				
	FD = 0								
DIVISIONAL SYMBOLS		MM	INCH	DOCUMENT NUMBER		DOC TYPE	DOC PART	REVISION	
4 PLACES ±				SD-19118-001		PSD	001	A1	
3 PLACES ±			± 0.005	PRODUCT CUSTOMER DRAWING					
2 PLACES ±		0.13	± 0.01	MATERIAL NUMBER		CUSTOMER		SHEET NUMBER	
1 PLACE ±		0.25		19118		GENERAL MARKET		1 OF 1	
0 PLACES ±				THIRD ANGLE PROJECTION		DRAWING		SERIES	
ANGULAR TOL ± °				B-SIZE		19118			
DRAFT WHERE APPLICABLE MUST REMAIN WITHIN DIMENSIONS				THIRD ANGLE PROJECTION		DRAWING		SERIES	