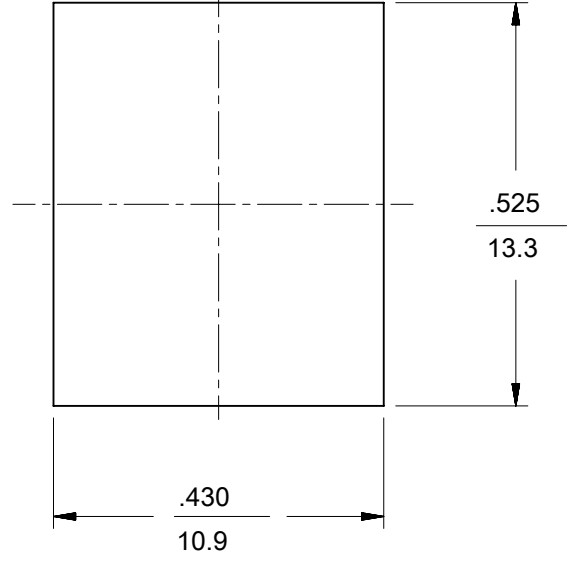
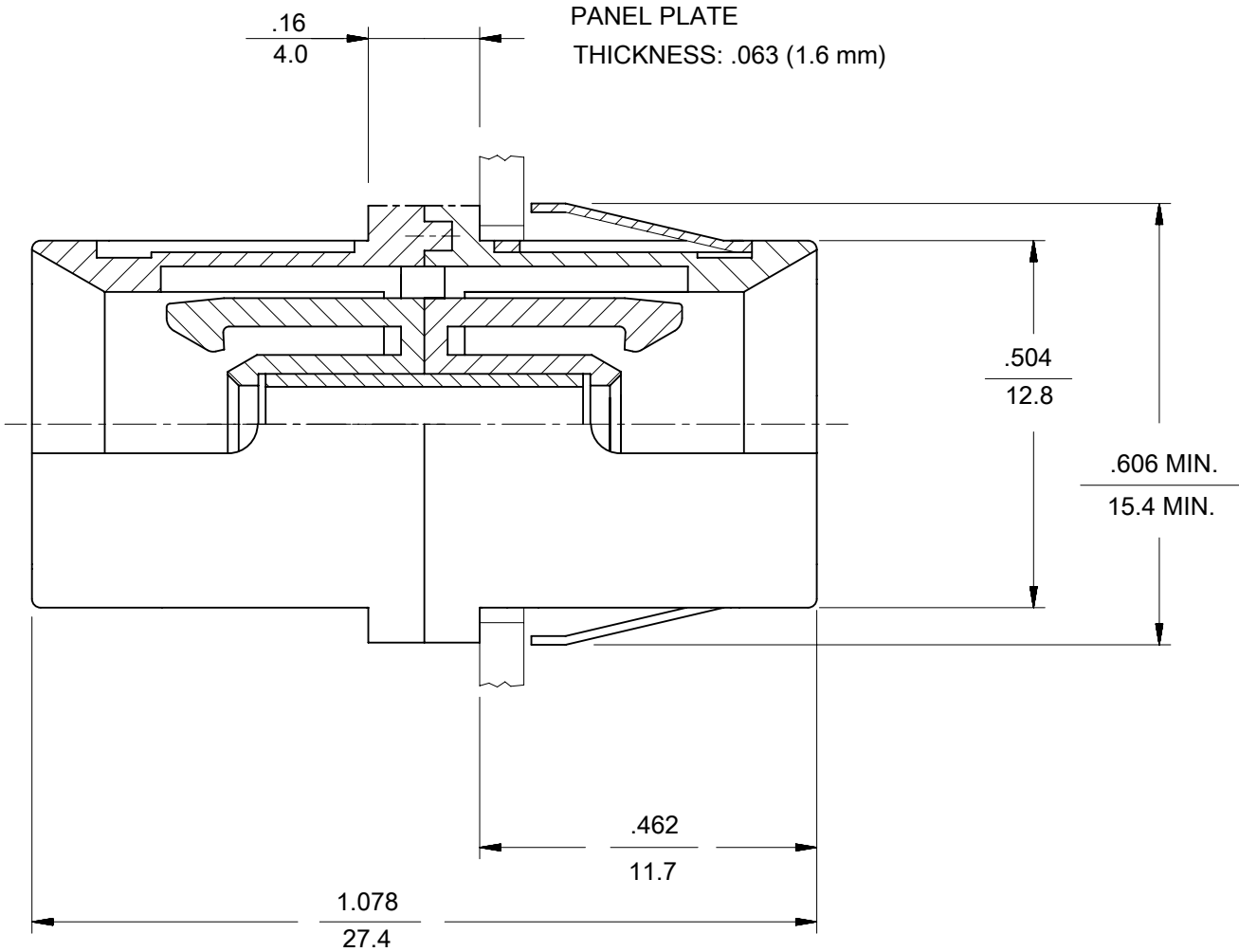
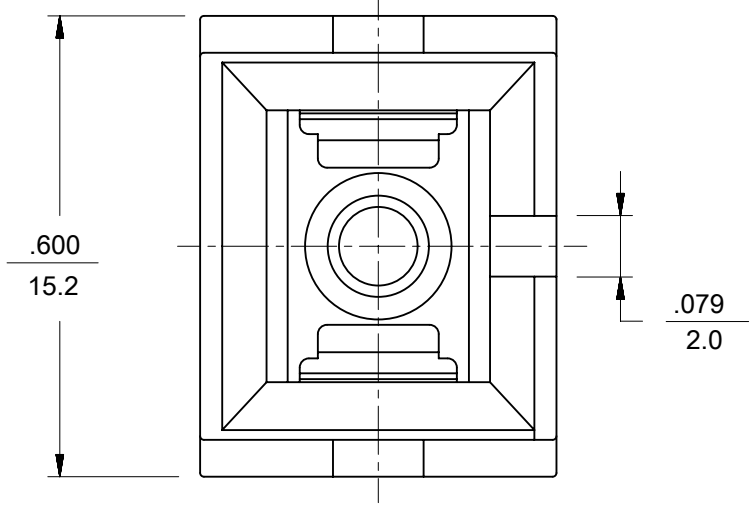
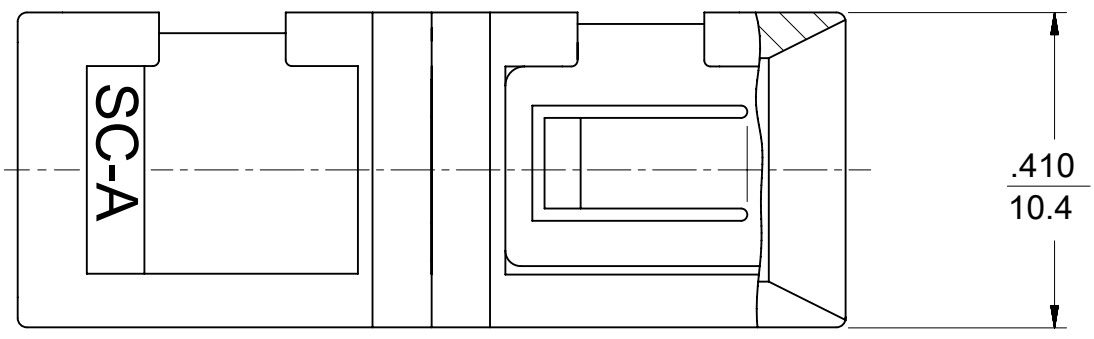


P/N OF ADAPTER	MATERIAL OF SPLIT SLEEVE	COLOR OF ADAPTER SHELL
106171-0100	CERAMIC	BLACK
106170-0120	CERAMIC	GREEN
106170-0150	CERAMIC	BLUE
106170-0153*		
106171-0150	CERAMIC	



RECOMMENDED MOUNTING HOLE

- NOTES:
- DUST CAPS ARE NOT SHOWN BUT INCLUDED.
 - P/N 106170-0153 ARE BULK PACKED ADAPTER KITS OF 100 PCS.
 - PLASTICS USED IN ADAPTERS ARE UL-94 V-0 RATED.

THIS DRAWING CONTAINS INFORMATION THAT IS PROPRIETARY TO MOLEX ELECTRONIC TECHNOLOGIES, LLC AND SHOULD NOT BE USED WITHOUT WRITTEN PERMISSION										
DIMENSION UNITS	SCALE	CURRENT REV DESC: REMOVED OBSOLETE PART NUMBERS AS PER PCN#512063.								
INCH/MM	4:1	<p>molex</p> <p>SC SMALL FLANGE ADAPTER</p> <p>PRODUCT CUSTOMER DRAWING</p>								
GENERAL TOLERANCES (UNLESS SPECIFIED)										
ANGULAR TOL	± 0.5°	EC NO:	713759	DATE:	2022/08/22					
4 PLACES	±	DRWN:	SANTHN	DATE:	2022/10/07					
3 PLACES	±	CHKD:	GB	DATE:	2022/10/07					
2 PLACES	±	APPR:	GB	DATE:	2022/10/07					
1 PLACE	±	INITIAL REVISION:								
0 PLACES	±	DRWN:	PGIBLIN	DATE:	2005/11/29					
		APPR:	IGUMIN	DATE:	2005/11/29					
DRAFT WHERE APPLICABLE MUST REMAIN WITHIN DIMENSIONS		THIRD ANGLE PROJECTION	DRAWING	SERIES	MATERIAL NUMBER	CUSTOMER	DOCUMENT NUMBER	DOC TYPE	DOC PART	REVISION
			B-SIZE	106170	SEE TABLE	GENERAL MARKET	SD-10617X-01X0	PSD	001	C1
										SHEET NUMBER
										1 OF 1