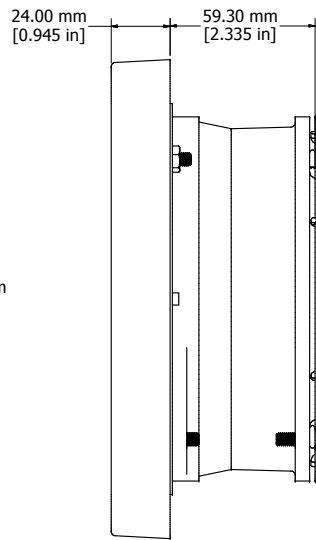
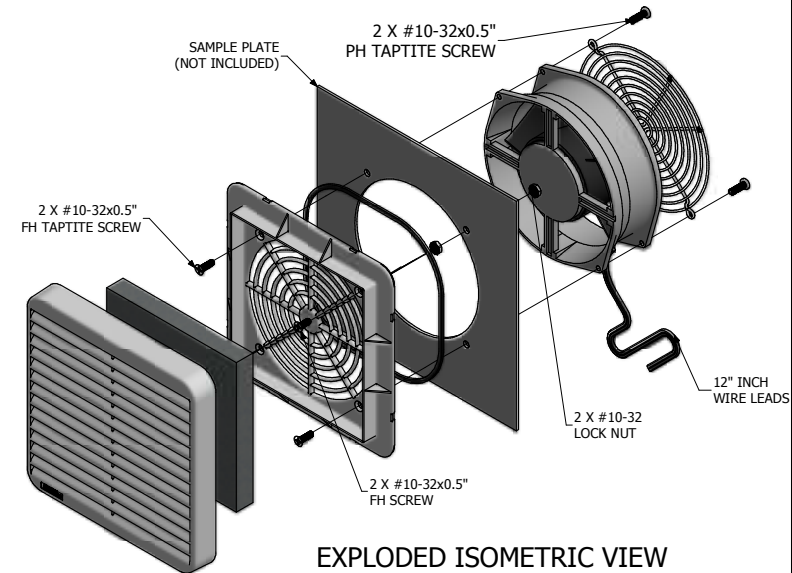


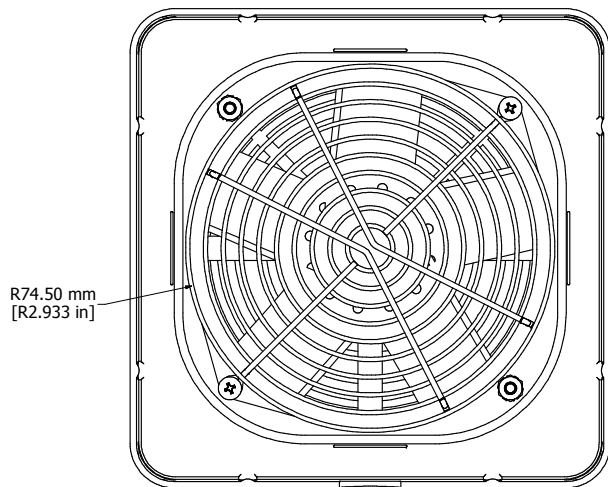
ASSEMBLY - VIEW FROM FRONT



ASSEMBLY - VIEW FROM SIDE



EXPLODED ISOMETRIC VIEW



ASSEMBLY - VIEW FROM REAR

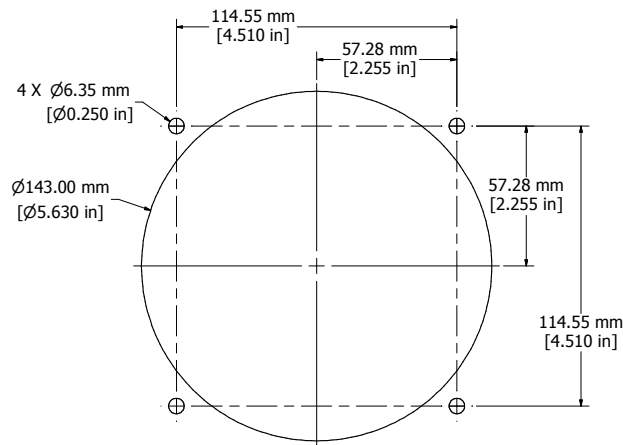


PLATE CUTOUT

| DNFF150**115 | |
|--------------------------------------------|--|
| Finish - Front Screen - ABS Plastic | |
| - Back Panel - ABS Plastic | |
| Rated - 115 VAC, 50/60 Hz, 0.24 Amps | |
| Free Flow Air Delivery - 230 CFM | |
| Colours | |
| DNFF150BK115 - Black | |
| DNFF150CG115 - Gray/Beige | |
| DNFF150GY115 - Gray | |
| DNFF150LG115 - Light Gray | |
| Hardware | |
| 2 Screws - Panhead Taptite 10-32 x 1/2" | |
| 2 Screws - Flathead #10-32 x 1/2" | |
| 2 Screws - Flathead Taptite #10-32 x 1/2" | |
| 2 Nuts - #10-32 Locktooth | |
| Accessories | |
| PFF4000 - Standard Filter Media (Pkg of 5) | |
| PLFF4000 - Pleated Filter Media (Pkg of 5) | |

