

SINGLEMODE DUPLEX ADAPTOR – ZIRCONIA SLEEVE ALIGNEMENT

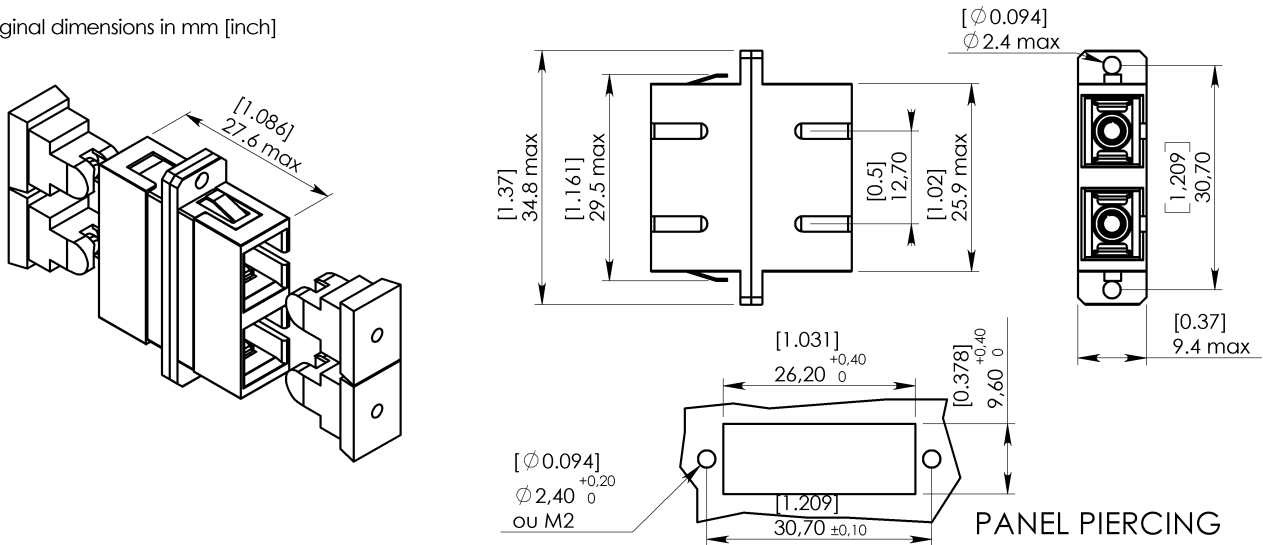
 Series
 SC

 Packaging
 100

 Issue
 04-01-2011

 Page
 1/1

Original dimensions in mm [inch]


GENERAL

- Type :** IEC 60874-19 SC type. Push pull latching system
 Body color : blue
- Mounting :** snap-in (or screw –in) mounting max. Panel thickness 1.6mm
- Alignment sleeve :** Zirconia

CHARACTERISTICS *(Dependant on fiber or cable construction)*

- Material : Plastic moulded** Material in accordance with BELLCORE GR 326 CORE Issue 2, par.3.3.1
 Inflammability V1 (UL94)
 Stainless stell
- Clip**
- Optical :** Attenuation (according to IEC 61300-3-4:Substitution method, 7 type) at 1310nm :
 0.25 dB Max / 0.07 dB Typ
- Mechanical : Durability** Bellcore 326, 500 cycles
Plug Retention > 68 N
- Environmental : Temperature range (storage/operating)** -40°C to +85°C
- Salt spray :** EIA/TIA -455-16A, 35°C, 168 hr.
- Vibration test :** Bellcore 326, 10 to 50 Hz, 2 hrs./axis
- Proof test :** Bellcore 326, Straight pull : 6.8 Kg load at 0°
 Side pull : 3.5 Kg load at 90°

CREATION

 PEN/EP CAT
 Name: CAUSSE.C
 Date: 23 Jul.99
 Appr.: LV

4 jan 11 Mise à jour performances mécaniques

01/09/02 Performance specified

Issue

Revisions

Poret

Valencia

Name

HD

LV

Appr.

RADIALL[®]

 101, rue P. Hoffmann
 93116 ROSNY/BOIS
 FRANCE
 Tel : (33) 0149353535
 Fax : (33) 0148546363