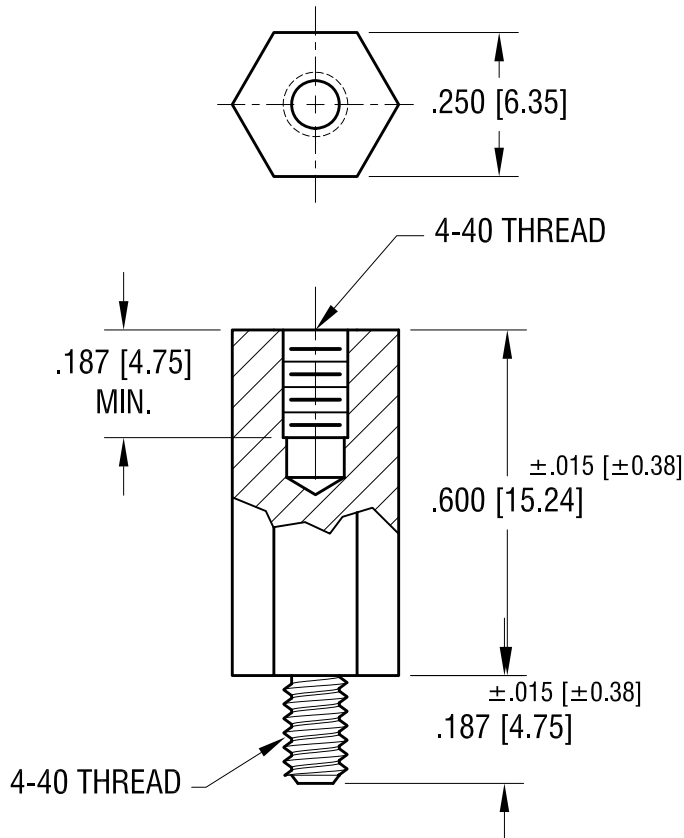


THIS DOCUMENT IS THE PROPERTY OF  
KEYSTONE ELECTRONICS CORP. AND  
SHALL NOT BE REPRODUCED, DISTRIBUTED  
OR USED AS A BASIS FOR MANUFACTURE  
WITHOUT PRIOR WRITTEN PERMISSION  
FROM KEYSTONE ELECTRONICS CORP.

ACTUAL SIZE



**KEYSTONE ELECTRONICS CORP.**

www.keyelco.com • NEW HYDE PARK, NY 11040 • Tel (516) 328-7500

PART NAME

NYLON M/F/ STANDOFF

MATERIAL

NYLON 6/6

FINISH

NONE

DRN BY

BOONE

DATE

11.15.00

APP'D

RH

SCALE

3X

TOLERANCES

INCH [MM]

DECIMAL  $\pm .005 [\pm 0.13]$

ANGULAR  $\pm 1^\circ$   
UNLESS OTHERWISE SPECIFIED

CODE

C

DWG NO.

4799

DATE

DESCRIPTION

REV.