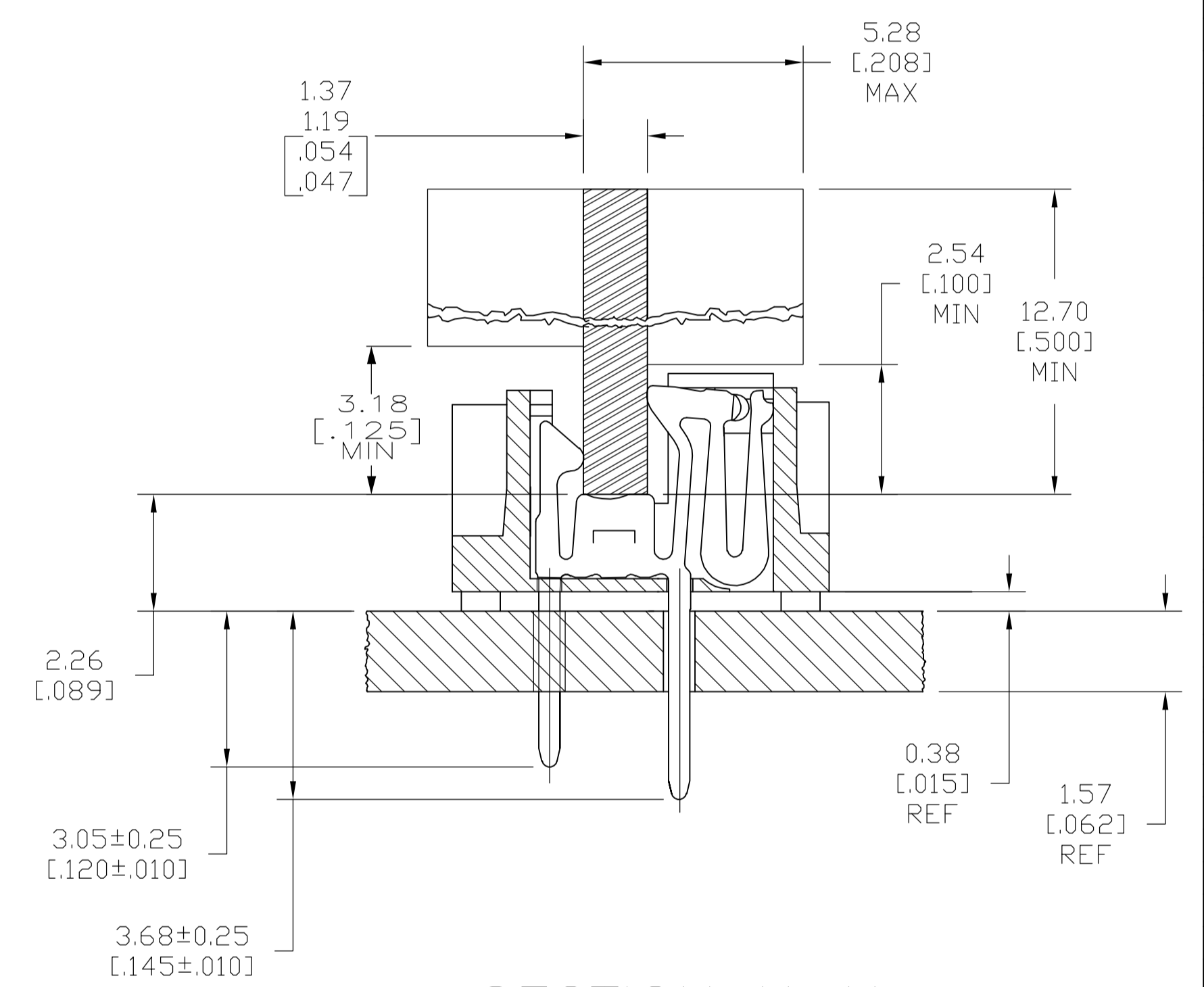


- △ HOUSING—MATERIAL : LIQUID-CRYSTAL-POLYMER.
- △ CONTACT—MATERIAL : PHOS. BRONZE.
- △ LATCH—MATERIAL : BRASS, NICKEL PLATE.
- △ CONTACT—PLATE 0.00127 [.000050] MIN NICKEL ALL OVER.
- △ CONTACT—PLATE 0.00076 [.000030] MIN. GOLD AT CONTACT PTS.
- △ CONTACT SOLDER TAILS—PLATE 0.00508 [.000200] MIN MATTE TIN.
- 7. IN ADDITION TO THOSE RECOMMENDED "SIMM" P.C. BOARD DIMENSIONS AND TOLERANCES SHOWN, ALL JEDEC SPECIFICATIONS APPLY AS SHOWN ON MO-116, ISSUE A.
- 8. RECOMMENDED MATING S.I.M.M. TAB METALLURGY:
 BASE METAL—COPPER. PLATING TO BE 0.00076 [.000030] MIN GOLD OVER 0.00127 [.000050] MIN NICKEL.
- △ 9. DATE CODE: (YEAR WEEK) XXXX FORMAT, LOCATED APPROXIMATELY AS SHOWN ON OPPOSITE SIDE.



107.95 [4.250]	101.19 [3.984]	55.88 [2.200]	44.45 [1.750]	115.57 [4.550]	95.25 [3.750]	72	5822032-4
F	E	D	C	B	A	NO. OF POSN	PART NO
THIS DRAWING IS A CONTROLLED DOCUMENT.				DIMENSIONS: mm [INCHES] TOLERANCES UNLESS OTHERWISE SPECIFIED: 0 PLC ± - 1 PLC ± - 2 PLC ± - 3 PLC ± 0.13 [.005] 4 PLC ± - ANGLES ± -		THIS DRAWING IS A CONTROLLED DOCUMENT. DIM: S. WAITMAN 6JAN05 CHK: M. YFOMANS 6JAN05 APVD: M. YFOMANS 6JAN05 PRODUCT SPEC APPLICATION SPEC SIZE: A1 CASE CODE: 00779 DRAWING NO: 5822032 RESTRICTED TO: -	
MATERIAL: 1 2 3				FINISH: 3 4 5 6		Tyco Electronics Corporation Harrisburg, PA 17105-3608 CONNECTOR, MICRO-EDGE, .050, VERTICAL, GOLD PLATING, W/METAL LATCH CUSTOMER DRAWING SCALE: 4:1 SHEET: 1 OF 1 REV: B	