



Handle Series FG15

Material and surface:
Handle shanks and handle ledge made of stainless steel 1.4305. Surface vibration ground, blasted and electro-polished with a semi-gloss finish. Push button made of stainless steel.

Type A:
With curved handle ledge and one shank.

Type B:
With straight handle ledge and 2 shanks.

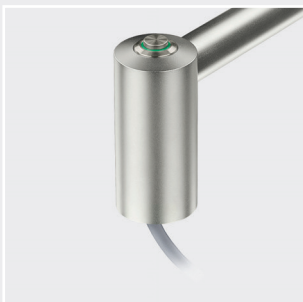
Function elements:
One push button, as a change-over contact.

Connection:
5 m connection cable leading out of the screw-on surface of the handle shank.

Protection class:
IP 65.

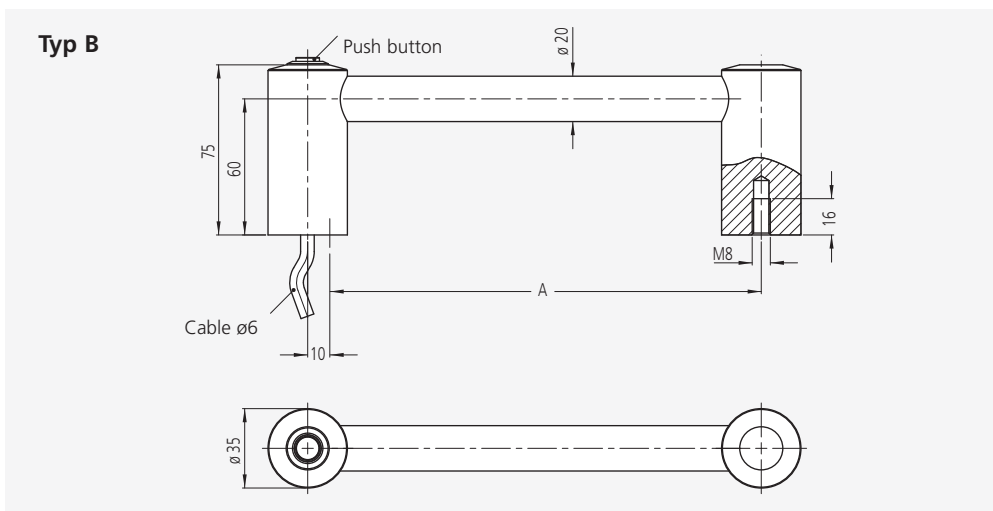
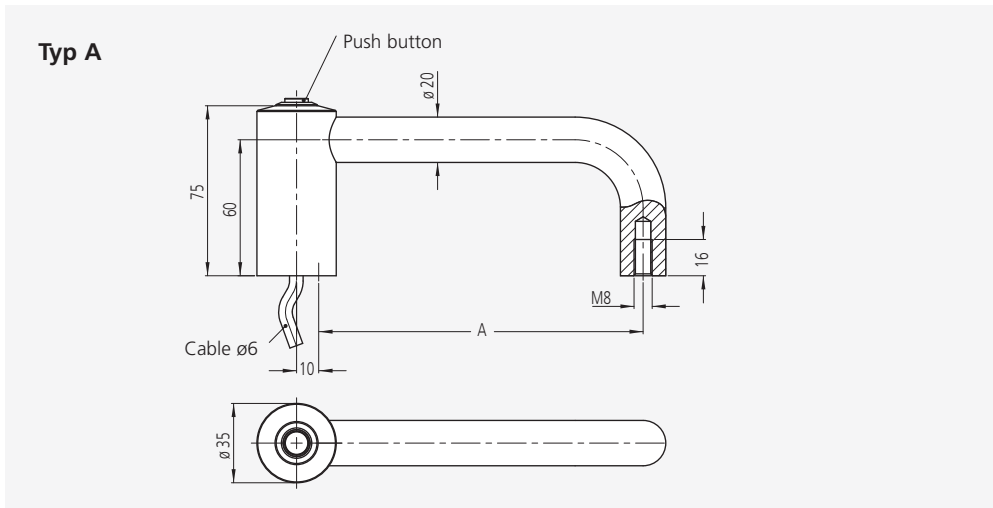
Note:
Other handle lengths and push button assignments possible. Opposite handle without electrical function by request.

Connection



	Typ A	Typ B
	Ledge curved	Ledge straight
A*	Order no.	Order no.
150	FG15-A01.150.36	-
180	-	FG15-B01.180.36

* Other handle lengths on request



Technical data

<p>Push button (change-over contact)</p>	
<p>Push button</p>	<p>24 V AC/DC max. 1 A</p>
<p>Operating voltage LED</p>	<p>24 V DC (12 V DC optional)</p>
<p>Connection type</p>	<p>cable 8-pole</p>
<p>Mounting cutout</p>	

All dimensions in mm.