

NEW



0.8mm pitch bay connector

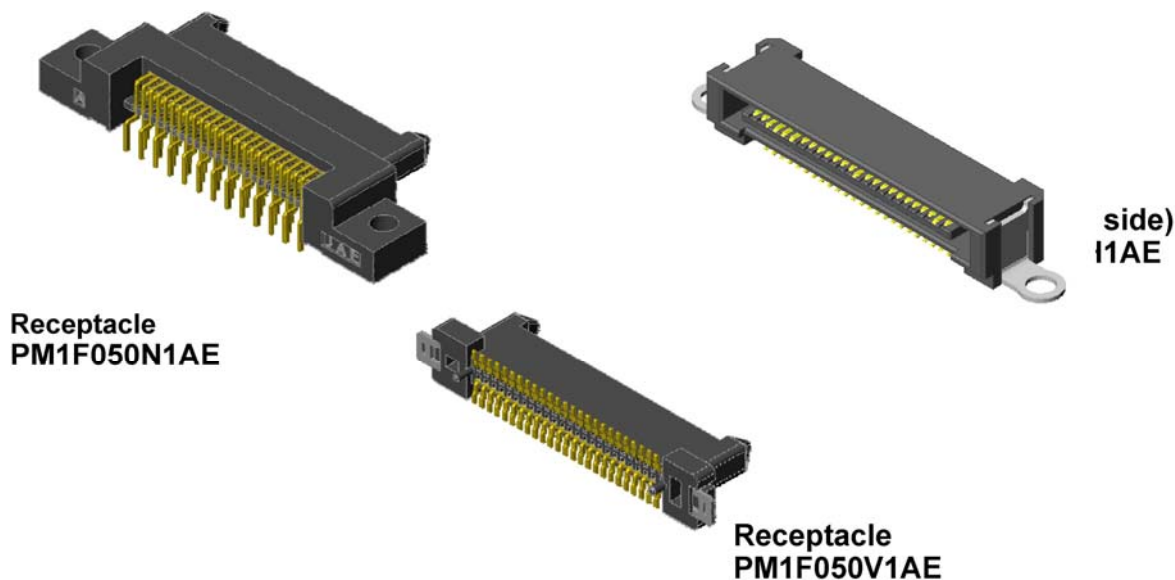
CONNECTOR

MB-0089-3

July 2006

PM1 Series

RoHS Compliant



PM1 series is a bay connector compatible with optical drive 9.5mm thick.

Features

- Connector height 5.4mm, low profile board to board bay connector.
- Plug side (PM1M050H1AE) with 2-step contact length-insertion structure.
Compatible to 2-step contact length-insertion structure (step difference: 0.4mm)
by 2 contact types (contact length 3.1mm and 2.7mm)
- Superior displacement error absorption structure
Insertion guide absorbs the displacement caused by insertion and removal from drive.
- Lifetime 7000 times, achieved
- Plug side (PM1M050H1AE) can be mounted to board in common with KX15-50KLDP.
(There is no mating compatibility between PM1series and KX14/15 series connectors)

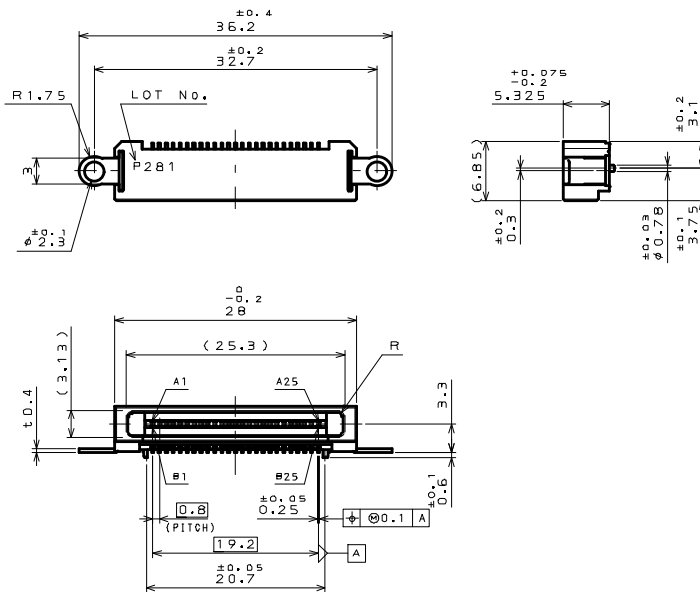
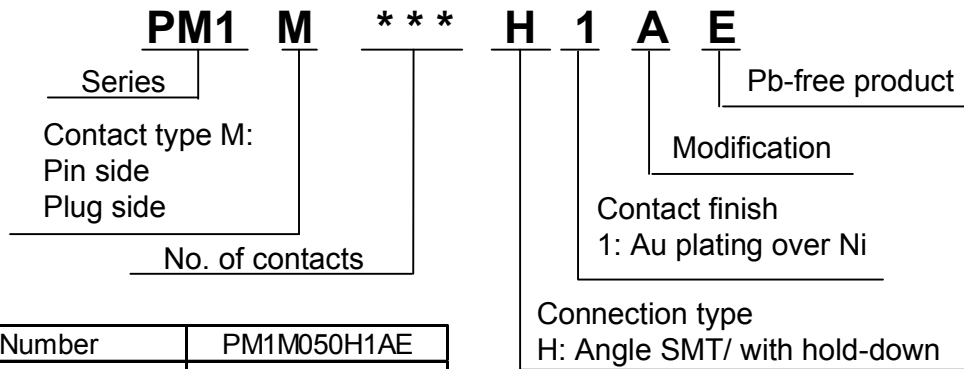
General Specifications

- No. of contacts: 50 pos.
- Contact resistance: 70m ohm max.
- Dielectric withstanding voltage:
AC 250 Vr.m.s (per minute)
- Contact pitch: 0.8mm
- Operating temperature: -40 to+85 Deg. C
- Rated current: 0.5A per contact
- Insulation resistance: 100M ohm min.
- Life time: 7000 times
- Rated voltage: AC125V.r.m.s

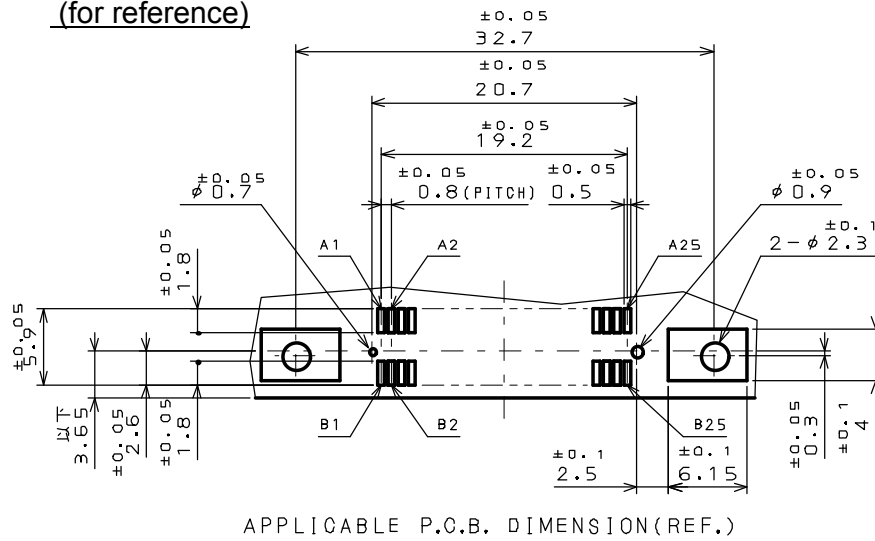
Materials and Finishes

Componets	Materials	Finishes
Base Insulator	LCP filled with heat-resistant plastic glass	None(UL94V-0), Black
Contact	Copper alloy	Contact area: Au plating Terminal area: Sn plating over Ni
Reinforcement	Copper alloy	Sn type plating

Ordering Information



Applicable dimension of board
(for reference)



Note1) An embossed tape reel contains 1,000 pieces.
Please contact us for details of embossed tape specifications.

