

Product data sheet

Specifications



soft starter for asynchronous motor, ATS48, 27 A, 208..690 V, 5.5..22 KW

ATS48D32Y

! Discontinued on: 02 May 2023

! To be end-of-service on: 31 December 2030

! Discontinued - Service only

Main

Range of product	Altistart 48
Product or component type	Soft starter
Product destination	Asynchronous motors
Product specific application	Heavy duty industry and pumps
Device short name	ATS48
Utilisation category	AC-53A
Ue power supply voltage	208...690 V - 15...10 %
Power supply frequency	50...60 Hz - 5...5 %
Motor power kW	11 kW at 400 V for severe applications 11 kW at 440 V for severe applications 11 kW at 500 V for severe applications 11 kW at 525 V for severe applications 15 kW at 400 V for standard applications 15 kW at 440 V for standard applications 15 kW at 660 V for severe applications 22 kW at 660 V for standard applications 22 kW at 690 V for standard applications 7.5 kW at 230 V for standard applications 18.5 kW at 500 V for standard applications 18.5 kW at 525 V for standard applications 18.5 kW at 690 V for severe applications 5.5 kW at 230 V for severe applications
Motor power hp	10 hp at 230 V for standard applications 15 hp at 460 V for severe applications 20 hp at 460 V for standard applications 20 hp at 575 V for severe applications 25 hp at 575 V for standard applications 5 hp at 208 V for severe applications 7.5 hp at 208 V for standard applications 7.5 hp at 230 V for severe applications

Complementary

Device connection	In the motor supply line
Protection type	Phase failure: line Thermal protection: motor Thermal protection: starter
Standards	EN/IEC 60947-4-2
Product certifications	GOST TCF NOM 117 C-Tick DNV SEPRO CCC

UL
CSA

Marking	CE
Discrete input number	5
Discrete input type	PTC, 750 Ohm at 25 °C (Stop, Run, LI3, LI4) logic, <= 8 mA 4300 Ohm
Discrete input logic	Positive logic Stop, Run, LI3, LI4 at State 0: < 5 V and <= 2 mA at State 1: > 11 V, >= 5 mA
Minimum switching current	10 mA at 6 V DC for relay outputs
Discrete output number	2
Discrete output type	(LO1) logic output 0 V common configurable (LO2) logic output 0 V common configurable (R1) relay outputs fault relay NO (R2) relay outputs end of starting relay NO (R3) relay outputs motor powered NO
Analogue output type	Current output AO: 0-20 mA or 4-20 mA, impedance <500 Ohm
Communication port protocol	Modbus
Connector type	1 RJ45
Communication data link	Serial
Physical interface	RS485 multidrop
Transmission rate	4800, 9600 or 19200 bps
Function available	External bypass (optional)
Operating position	Vertical +/- 10 degree
Height	275 mm
Width	160 mm
Depth	190 mm
Net weight	4.9 kg

Environment

Electromagnetic compatibility	Conducted and radiated emissions level A conforming to IEC 60947-4-2 Conducted and radiated emissions level B conforming to IEC 60947-4-2 Damped oscillating waves level 3 conforming to IEC 61000-4-12 Electrostatic discharge level 3 conforming to IEC 61000-4-2 Immunity to electrical transients level 4 conforming to IEC 61000-4-4 Immunity to radiated radio-electrical interference level 3 conforming to IEC 61000-4-3 Voltage/current impulse level 3 conforming to IEC 61000-4-5
Relative humidity	0...95 % without condensation or dripping water conforming to EN/IEC 60068-2-3
Ambient air temperature for operation	40...60 °C (with current derating of 2 % per °C) -10...40 °C (without derating)
Ambient air temperature for storage	-25...70 °C
Operating altitude	<= 1000 m without derating > 1000...2000 m with current derating of 2.2 % per additional 100 m

Packing Units

Unit Type of Package 1	PCE
Number of Units in Package 1	1
Package 1 Height	29.5 cm
Package 1 Width	26 cm
Package 1 Length	37 cm
Package 1 Weight	6.066 kg
Unit Type of Package 2	PAL
Number of Units in Package 2	6

Package 2 Height	101.6 cm
Package 2 Width	91.44 cm
Package 2 Length	121.92 cm
Package 2 Weight	45.156 kg
Unit Type of Package 3	S06
Number of Units in Package 3	8
Package 3 Height	73.5 cm
Package 3 Width	60 cm
Package 3 Length	80 cm
Package 3 Weight	73.208 kg

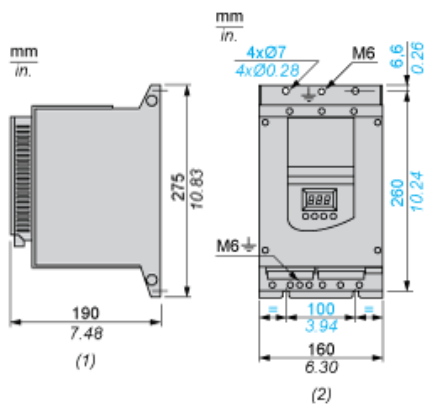
Offer Sustainability

Sustainable offer status	Green Premium product
REACH Regulation	REACH Declaration
EU RoHS Directive	Pro-active compliance (Product out of EU RoHS legal scope) EU RoHS Declaration
Mercury free	Yes
China RoHS Regulation	China RoHS declaration
RoHS exemption information	Yes
Environmental Disclosure	Product Environmental Profile
Circularity Profile	End of Life Information
WEEE	The product must be disposed on European Union markets following specific waste collection and never end up in rubbish bins
California proposition 65	WARNING: This product can expose you to chemicals including: Lead and lead compounds, which is known to the State of California to cause cancer and birth defects or other reproductive harm. For more information go to www.P65Warnings.ca.gov

Contractual warranty

Warranty	18 months
----------	-----------

Dimensions



(1) Right View

(2) Front View

Clearance



Recommended replacement(s)

ATS48D32Y is replaced by:

1x



Altivar Soft Starter ATS480, 32 A, 208...690V AC, control supply 110...230V AC
ATS480D32Y