

- 1
- 2
- 3
- 4
- 5
- 6
- 7
- 8
- 9
- 10
- 11
- 12
- 13
- 14
- 15
- 16
- 17
- 18

KNOB

Glass-fibre reinforced polyamide based (PA) technopolymer, colour black, matte finish.

CLOSING CAP

Glass-fibre reinforced polyamide-based (PA) technopolymer, light grey colour, press-fit assembly.

THREADED BODY AND CLOSING LEVER

Die-cast zinc alloy.

SCREW AND LOCKING NUT

Zinc-plated steel.

CLAMPING BOLT

Neoprene, black colour, hardness from 40 to 50 Shore A. Zinc-plated steel screw and M6 nut.

FUNCTIONING

Close the door and move the lever to the closed position by rotating the knob by 90° up to the detent position.

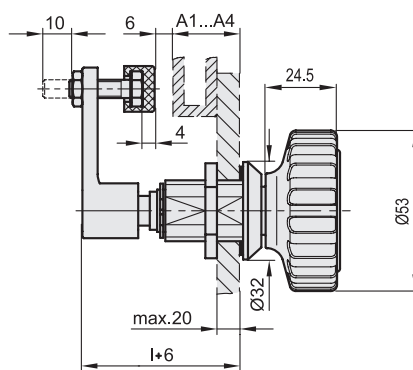
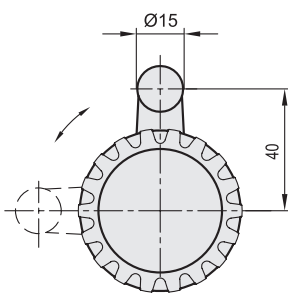
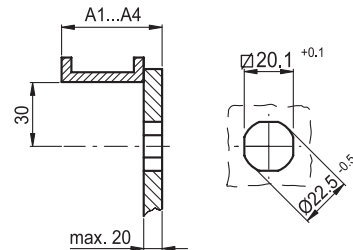
By a further turn of the knob, an internal device with cam and spring axially moves the lever (6 mm stroke) until it reaches the locking position. This device is suitable in case of vibrations or sealing washers.

MDA-LS latches with lever ensure a clamping range from 1 to 41 millimetres.

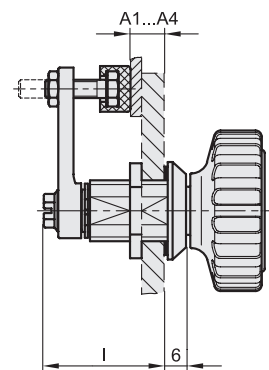


Clamping range

Drilling template



Distance of the closing lever after the rotation of 90° (clockwise).



Distance of the closing lever after the rotation of 180° (locking position).

Code	Description	l	A1...A4	⚖
37986	MDA-LS-A1	40.5	1+11	133
37987	MDA-LS-A2	40.5	11+21	169
37988	MDA-LS-A3	56	21+31	232
37989	MDA-LS-A4	56	31+41	289