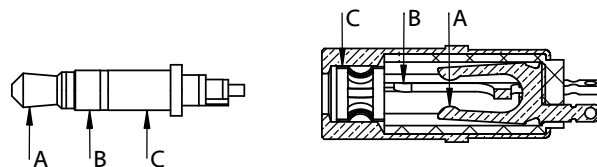
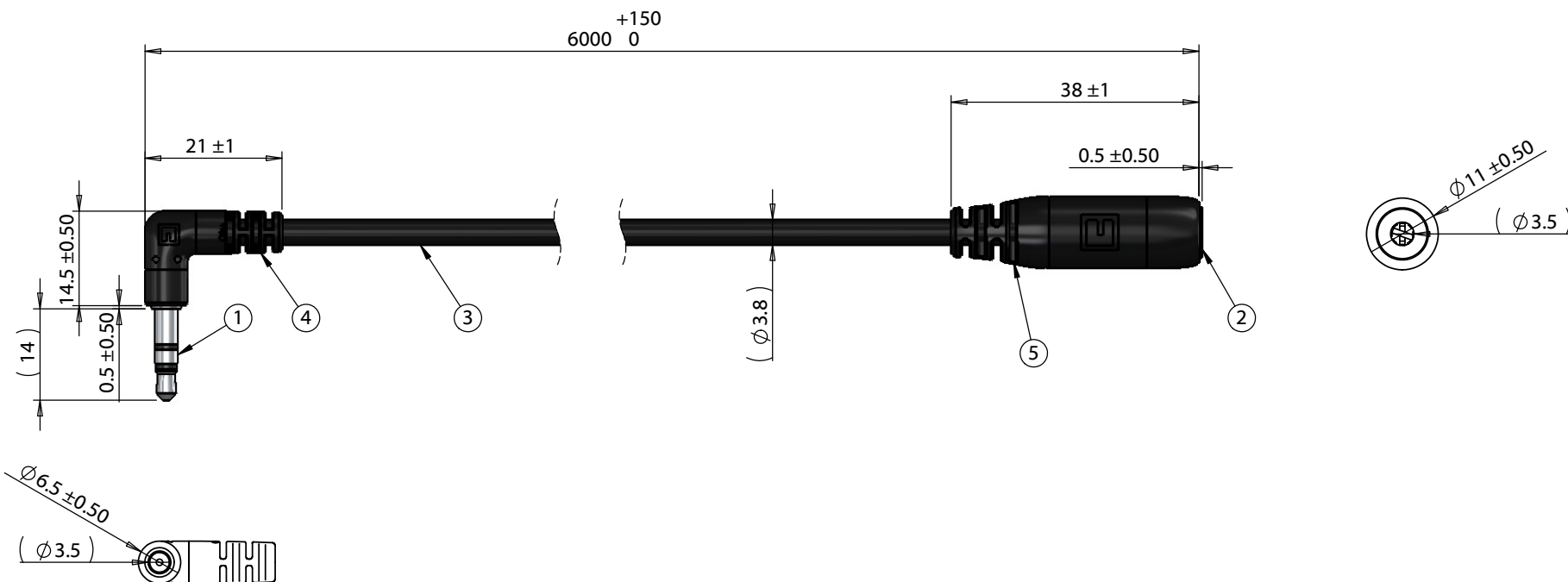


ITEM NO.	PART NUMBER	DESCRIPTION	QTY.	NOTES
1	50-00396	Connector, stereo plug, 3.5xL20.5 mm, brass, nickel plated, molding style	1	
2	50-00039	Connector, stereo jack, 3.5x8.0xL24.7 mm, brass, nickel plated, molding style	1	
3	30-00177	Wire, 2C BC, 28 AWG, 300V, 80C, 3.8 mm, foil + shield, PVC	1	
4	24-00085	Overmold	1	PVC, black
5	24-00036	Overmold	1	PVC, black



Wiring Diagram		
50-00396	wire color	50-00039
A	red	A
B	white	B
C	shield	C

Notes:
Functionally equivalent components may be substituted

Revision:	Date:	Description:	Prepared:	Notes: RoHS compliant Function test: no open, no short circuit, no intermittent	<h1>TENSILITY</h1> <p>tel 1.541.323.3228 800 877.670.7118 fax 1.541.323.4202 web tensility.com</p>
A	2/21/2019	Initial release	Verified:		
			Dimensions are in millimeters. Tolerances: X: ± 0.5 mm X.X: ± 0.3 mm X.XX: ± 0.05 mm	Description: Cable, 6000 mm, 3.5 mm 3C 90° 50-00396 audio plug to 3.5 mm 3C 50-00039 audio jack, 28 AWG, 30-00177	Size: Part number: A 10-03207
					Scale: 1:1 Sheet 1 of 1

5 4 3 2 1

To see a custom version of this cable assembly, call Tensility at 541-323-3228 or email engineering@tensility.com