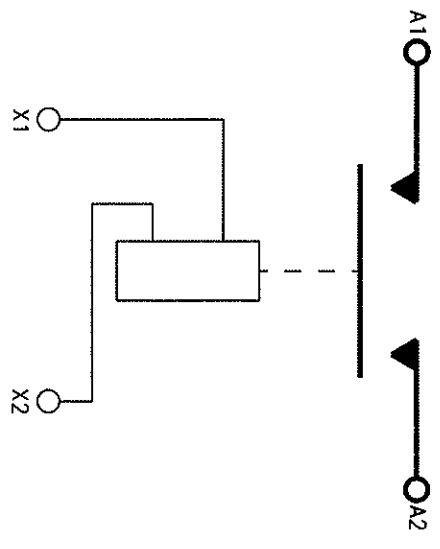
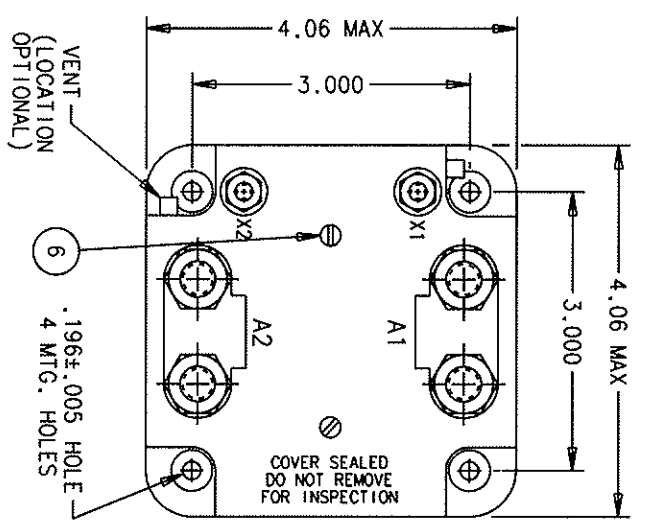
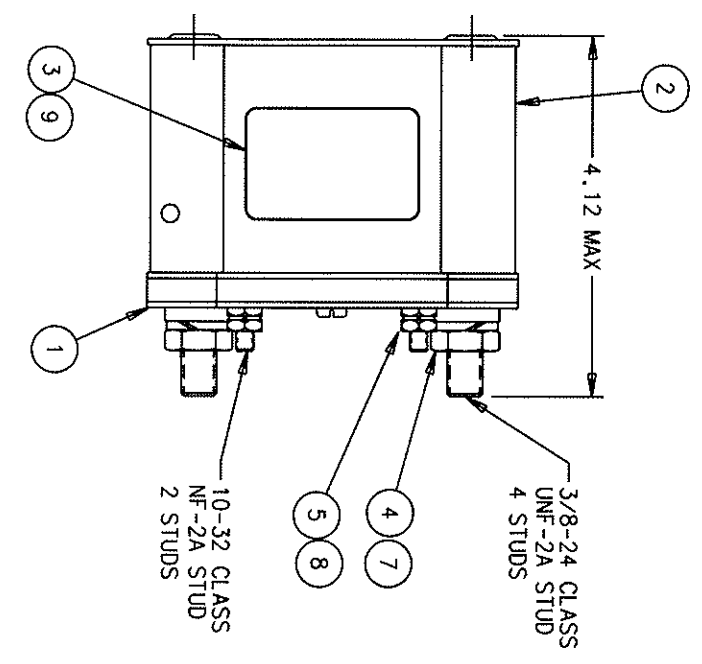


REV.	DESCRIPTION	DATE	APPROVED
L	409791 REDRAWN, FIND NO 9 ADDED	99/11/24	RS



CONFIGURATION CONTROLLED

- MAX OPERATING VOLTAGE 29 VOLTS
- PICKUP VOLTAGE (HOT) 8 VOLTS MAX
- DROPOUT VOLTAGE (HOT) 3 VOLTS MAX
- RATED LOAD, RESISTIVE 600 AMP
- MINIMUM OPERATING PERIOD 2 MIN. ON
20 MIN. OFF
- MAX WEIGHT 3 LBS 2 OZ
- RATED DUTY INTERMITTENT
- NOMINAL COIL VOLTAGE 24-28 VOLTS
- AMBIENT TEMPERATURE -30°F TO +220°F

FIND NO	QTY	PART OR IDENTIFYING NO	NOMENCLATURE OR DESCRIPTION	FSOM NO	DRAWING OR SPECIFICATION	MATERIAL OR NOTE
9	1	39529-001	OVERLAY			
8	2	51810-054	WASHER - LOCK, No.10 SPL IT			BRONZE
7	4	51807-084	WASHER - LOCK 3/8 SPL IT			BRONZE
6	2	51200-030	SCREW No. 4 x 5/16 PANI HD. SHI MET.			S. STEEL
5	2	50410-084	NUT No. 10-32 X 3/8 X 1/8 HEX.			BRASS
4	4	50407-164	NUT 3/8-24 X 5.8 X 7/32 HEX.			BRASS
3	1	16043-001	PLATE - NAME			
2	1	13548-050	CONTRACTOR ASSY - PRIMARY			
1	1	08432-001	PLATE - BASE COVER			

UNLESS OTHERWISE SPECIFIED DIMENSIONS ARE IN INCHES TOLERANCES UN		REF		HARTMAN ELECTRICAL MANUFACTURING MANSFIELD, OHIO	
±.06	±.010	±.1*	BELL LCAC	CONTACTOR-AIRCRAFT 600 AMP	093
MATERIAL		DR BY/RS 99/12/16		INTERMITTENT DUTY	
		CHK BY/RS 99/12/22			
		ENGR/TL 99/11/22Z			
		MFG/TC 99/12/22Z			
		RELEASE			
		CONTR NO.		SIZE	
		GOVT APPV		C 74063	
				SCALE NONE	
				SHEET	