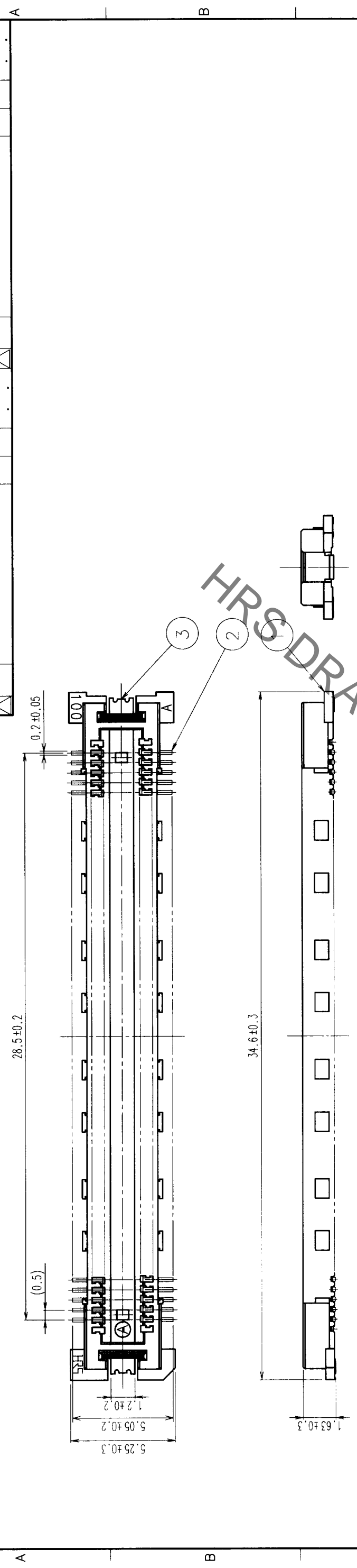
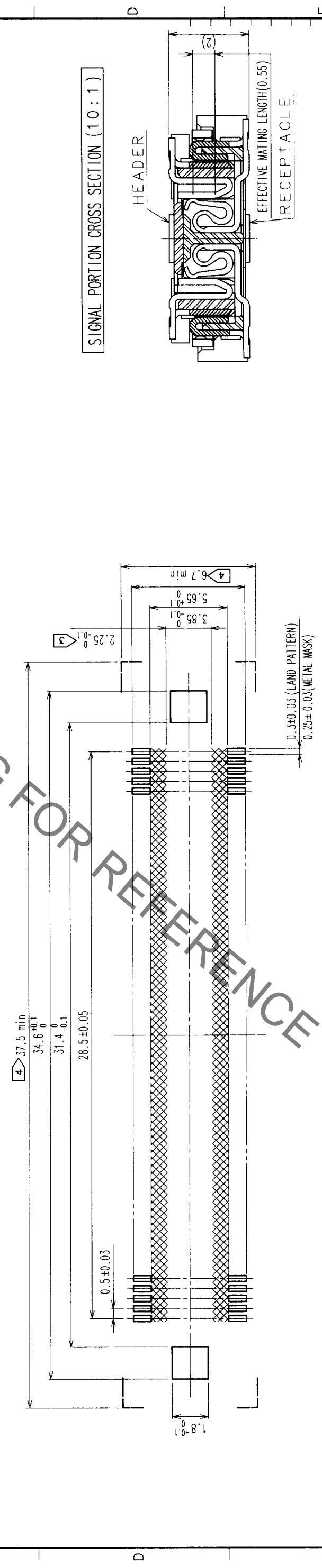


7	8
COUNT DESCRIPTION OF REVISIONS	BY CHKD DATE



RECOMMENDED LAND PATTERN DIMENSION OF PCB

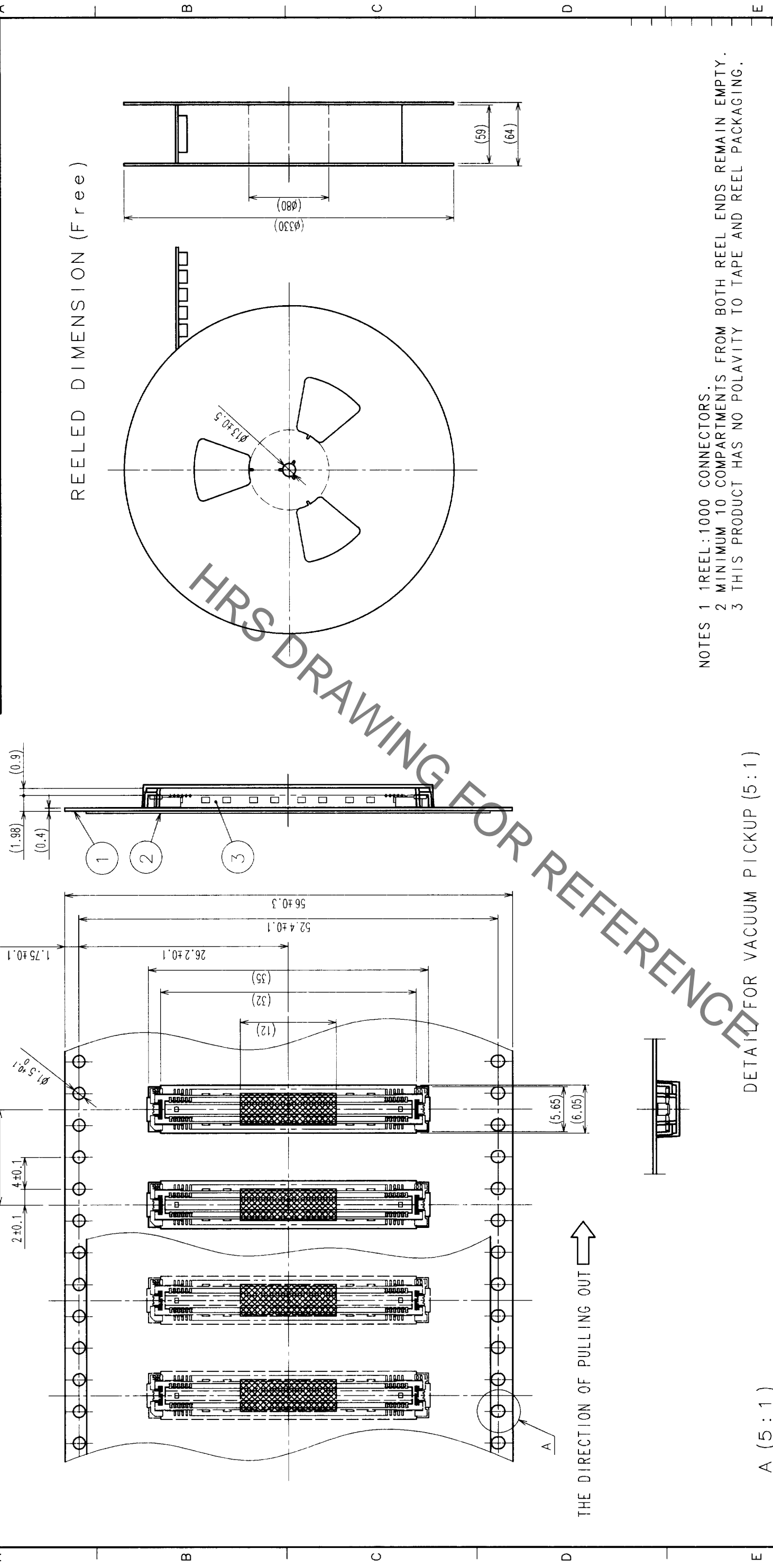


- NOTES
- 1 SMT LEAD-COPLANARITY: 0.1 MAX.
 - 2 THIS PRODUCT HAS NO POLARITY TO PATTERN FOR MOUNTING.
 - 3 MAKE SURE WIDTH OF PATTERN IS WITHIN THAT OF LAND ,OR LEAD MAY TOUCH PATTERN. (THIS APPLIES TO HATCHED AREA.)
 - 4 DO NOT MOUNT OTHER DEVICES ONTO [] AREA ,OR MATING PAIR CANNOT BE MATED.
 - 5 TO BE EMBOSSED CARRIER TAPED AS SPECIFIED IN SHEET 2.

2	COPPER ALLOY	CONTACT AREA: GOLD (0.1µm) OVER NICKEL
1	LCP	LEAD: GOLD FLASH OVER NICKEL
NO.	MATERIAL	FINISH, REMARKS
3	PHOSPHOR BRONZE	TIN PLATED
CODE NO. (OLD)	CL	DRAWN
		CHECKED
		DESIGNED
		APPROVED
		RELEASED
DRAWING NO.	EDC3-152106-02	PART NO.
SCALE	5 : 1	FX11LB-116P-SV (22)
UNITS	mm	CODE NO.
		CL573-0054-0-22

TO	
PCK	

COUNT	DESCRIPTION OF REVISIONS	BY	CHKD	DATE	COUNT	DESCRIPTION OF REVISIONS	BY	CHKD	DATE
△					△				
△					△				
△					△				



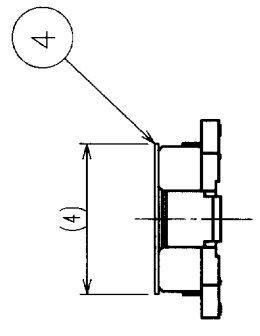
REELED DIMENSION (Free)

HRS DRAWING FOR REFERENCE

- NOTES
- 1 REEL: 1000 CONNECTORS.
 - 2 MINIMUM 10 COMPARTMENTS FROM BOTH REEL ENDS REMAIN EMPTY.
 - 3 THIS PRODUCT HAS NO POLARITY TO TAPE AND REEL PACKAGING.

DETAIL FOR VACUUM PICKUP (5:1)

A (5:1)



TO	
PCK	

2	PET	TOP COVER TAPE	4	POLYIMIDE	(TAPE FOR VACUUM PICKUP)
1	PS	EMBOSSED CARRIER TAPE	3	(CONNECTOR)	
NO.	MATERIAL	FINISH, REMARKS	NO.	MATERIAL	FINISH, REMARKS
CL	CODE NO. (OLD)		DESIGNED	CHECKED	APPROVED
DRAWING FOR PACKING		DRAWN		RELEASED	
SCALE 2:1		DESIGNED		APPROVED	
UNITS (mm)		DESIGNED		APPROVED	
DRAWING NO. EDC3-152106-02		DESIGNED		APPROVED	
PART NO. FX11LB-116P-SV(22)		DESIGNED		APPROVED	
CODE NO. CL573-0054-0-22		DESIGNED		APPROVED	