

NOTES:

1. MATERIAL:
 CAGE: NICKEL SILVER, THICKNESS: 0.25mm
 CONNECTOR HOUSING: GLASS FILLED LIQUID CRYSTAL POLYMER (LCP), UL 94V-0, COLOR: BLACK
 OVERMOLD TERMINAL HOUSING: GLASS FILLED LIQUID CRYSTAL POLYMER (LCP), UL 94V-0, COLOR: BLACK
 TERMINALS: TIN BRASS
 EMI GASKET: CONDUCTIVE ELASTOMER

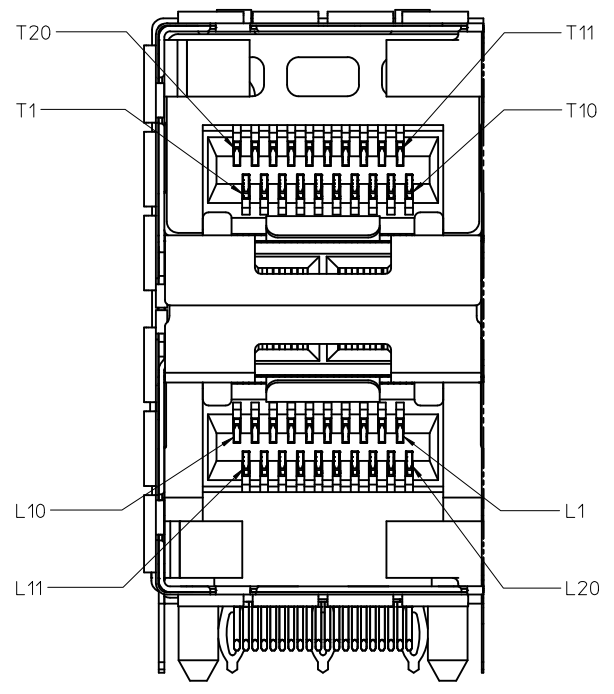
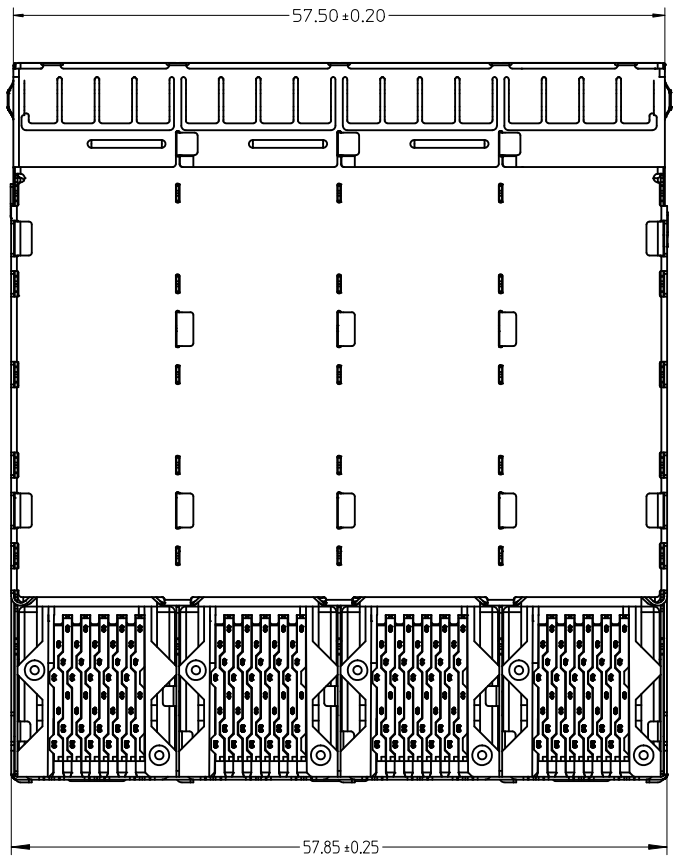
2. FINISHES:
 TERMINALS: CONTACT AREA: 0.76 MICROMETERS MINIMUM HARD GOLD OVER 1.27 MICROMETERS MINIMUM NICKEL.
 COMPLIANT TAIL - MATTE TIN/LEAD OPTION: 0.76 TO 1.52 MICROMETERS 90/10 MATTE TIN-LEAD OVER 0.76 MICROMETERS MINIMUM NICKEL.
 COMPLIANT TAIL - MATTE TIN OPTION: 0.76 TO 1.52 MICROMETERS MATTE TIN OVER 0.76 MICROMETERS MINIMUM NICKEL.

3. REFER TO PS-75310-001 PRODUCT SPEC FOR ALL ELECTRICAL, MECHANICAL AND ENVIRONMENTAL SPECIFICATIONS.
 4. REFER TO PK-75450-001 FOR ALL PACKAGING SPECIFICATIONS.
 5. ALL EXTERIOR SURFACES TO BE CLASS *B* SURFACE EXCEPT THE UNDER SIDE OF THE CAGE WHERE THE PCB WOULD BE LOCATED AND AS NOTED. THE SURFACES TO CONFORM TO THE MOLEX COSMETIC DOC PS-45499-002.
 6. REFER TO AS-76090-001 FOR HIGH SPEED ROUTING RECOMMENDATIONS.
 7. DATE CODE LOCATION IS SHOWN ABOVE.

DATE CODE FORMAT: DDDY MX A1
 DDD = DAY OF THE YEAR
 Y = YEAR
 MX = MOLEX
 A = ALPHA CHARACTER - INDICATES MANUFACTURING LINE
 1 = NUMERIC CHARACTER - INDICATES PRODUCTION SHIFT

PART NUMBER	COMPLIANT TAIL PLATING
760660001	MATTE TIN / LEAD
760665001	MATTE TIN

ADD NOTE 6 & 7 EC NO: UCP2011-2594 DRWN:WOLFE 2011/02/28 CHKD:BBARKER 2011/02/28 APPR:SMILLER 2011/09/20	QUALITY SYMBOLS 	GENERAL TOLERANCES (UNLESS SPECIFIED)		DIMENSION STYLE MM ONLY	SCALE 3:1	DESIGN UNITS METRIC	THIRD ANGLE PROJECTION	
		4 PLACES ± --- ± ---	DRAWN BY MSANDBERG	DATE 10-19-2006	TITLE STACKED SFP+ 2X4 ASS'Y WITH METAL EMI GASKET			
		3 PLACES ± --- ± ---	CHECKED BY JLONG	DATE 10-19-2006	MOLEX INCORPORATED			
		2 PLACES ± 0.13 ± ---	APPROVED BY RNELSON	DATE 10-19-2006	SD-76066-001			
1 PLACE ± 0.25 ± ---	ANGULAR ± 5 °		MATERIAL NO. SEE TABLE	DOCUMENT NO.	SHEET NO. 1 OF 4			
DRAFT WHERE APPLICABLE MUST REMAIN WITHIN DIMENSIONS			THIS DRAWING CONTAINS INFORMATION THAT IS PROPRIETARY TO MOLEX INCORPORATED AND SHOULD NOT BE USED WITHOUT WRITTEN PERMISSION					

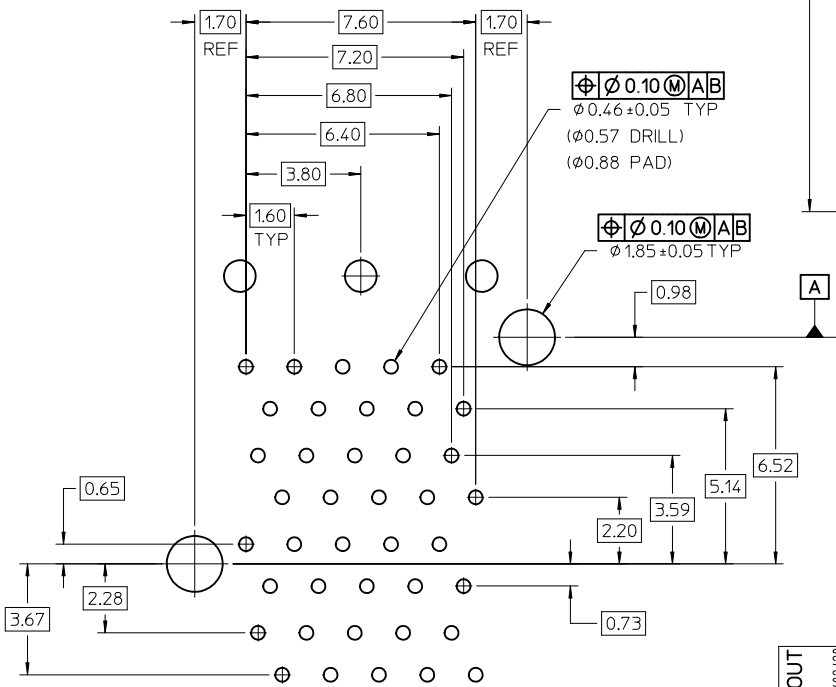


DETAIL B
SCALE 6:1
CIRCUIT NUMBERING

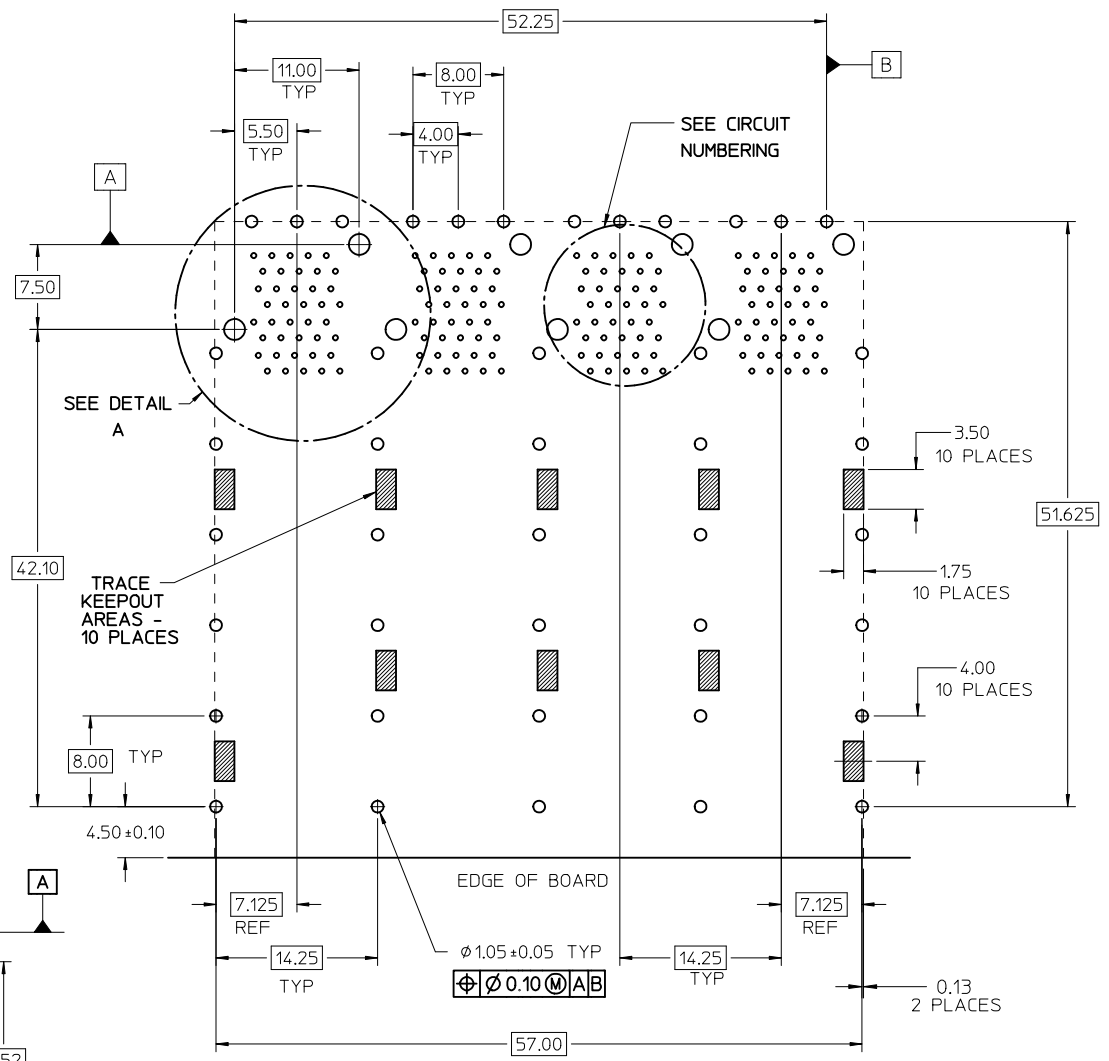
ADD DETAIL B EC NO: UCP2011-2594 DRWIN:WOLFE 2011/02/28 CHKD:BBARKER 2011/02/28 APPR:SMILLER 2011/09/20	QUALITY SYMBOLS ▽=0 ▽=0 ▽=0	GENERAL TOLERANCES (UNLESS SPECIFIED)		DIMENSION STYLE MM ONLY		SCALE 3:1	DESIGN UNITS METRIC	THIRD ANGLE PROJECTION	
		4 PLACES ± --- ± ---	DRAWN BY MSANDBERG	DATE 10-19-2006	TITLE STACKED SFP+ 2X4 ASS'Y WITH METAL EMI GASKET				
		3 PLACES ± --- ± ---	CHECKED BY JLONG	DATE 10-19-2006	APPROVED BY RNELSON		DATE 10-19-2006	MOLEX INCORPORATED	
		2 PLACES ± 0.13 ± --- 1 PLACE ± 0.25 ± --- ANGULAR ± 5 °	MATERIAL NO. SEE TABLE		DOCUMENT NO. SD-76066-001	SHEET NO. 2 OF 4			
DRAFT WHERE APPLICABLE MUST REMAIN WITHIN DIMENSIONS		SIZE C		THIS DRAWING CONTAINS INFORMATION THAT IS PROPRIETARY TO MOLEX INCORPORATED AND SHOULD NOT BE USED WITHOUT WRITTEN PERMISSION					

T20 T18 T16 T14 T12
 T19 T17 T15 T13 T11
 T8 T6 T5 T7 T9
 T2 T4 T3 T8 T10
 L10 L8 L6 L4 L2
 L9 L7 L5 L3 L1
 L11 L13 L15 L17 L19
 L12 L14 L16 L18 L20

CIRCUIT NUMBERING
 SCALE 6:1



DETAIL A
 SCALE 8:1

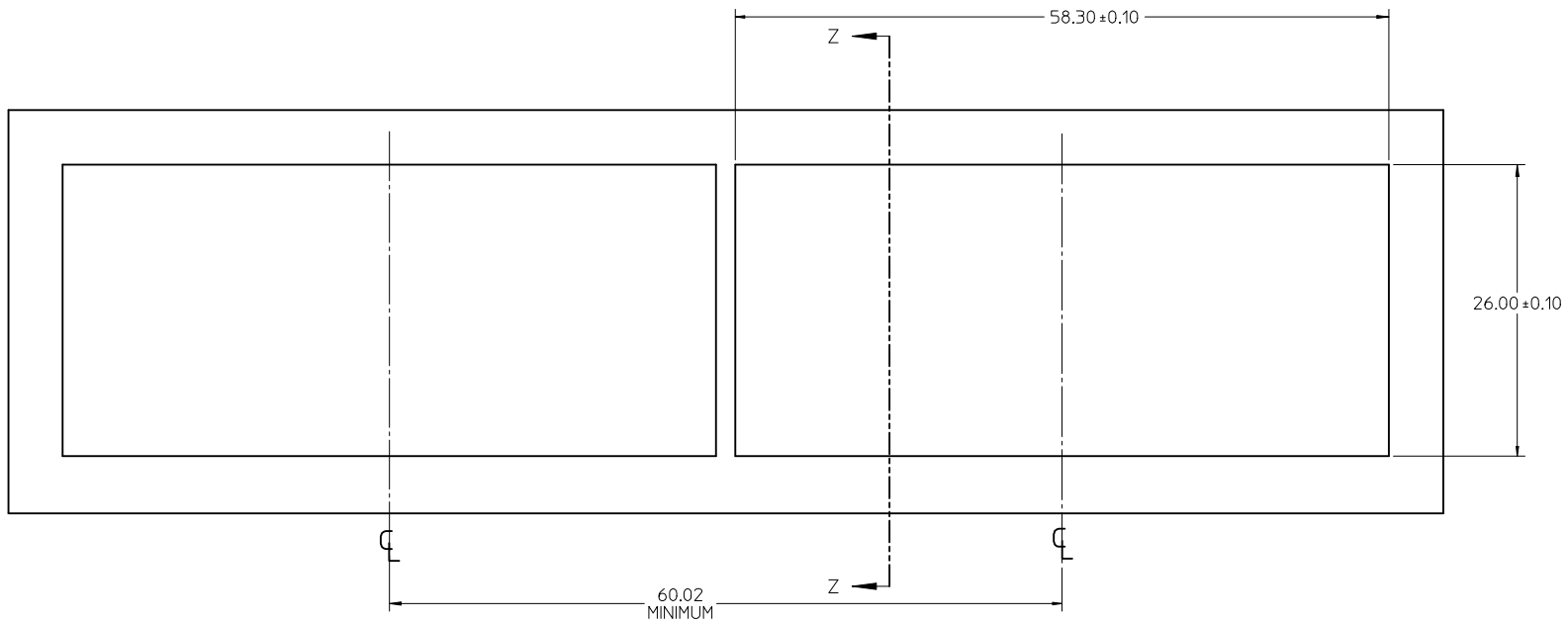


RECOMMENDED PCB LAYOUT - COMPONENT SIDE
 RECOMMENDED PCB THICKNESS - 2.36 MM (.093 INCH)

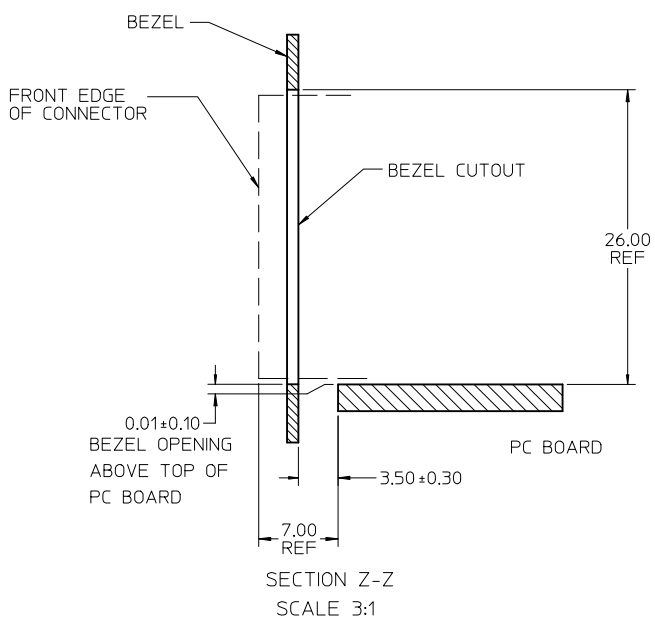
THE ENTIRE AREA OF THE CONNECTOR FOOTPRINT
 TO BE CONSIDERED THE KEEP OUT AREA FOR COMPONENTS
 THIS AREA IS INDICATED BY THE DASHED AREA

CHG DETAIL CALLOUT EC NO: UCP2011-2594 DRWN:WOLFE 2011/02/28 CHKD:BBARKER 2011/02/28 APPR:SMILLER 2011/09/20	QUALITY SYMBOLS ▽=0 ▽=0 ▽=0	GENERAL TOLERANCES (UNLESS SPECIFIED)		DIMENSION STYLE MM ONLY		SCALE 3:1	DESIGN UNITS METRIC	THIRD ANGLE PROJECTION	
				mm	INCH	DRAWN BY MSANDBERG	DATE 10-19-2006	STACKED SFP+ 2X4 ASS'Y WITH METAL EMI GASKET	
		4 PLACES ± --- ± ---				CHECKED BY JLONG	DATE 10-19-2006		
		3 PLACES ± --- ± ---				APPROVED BY RNELSON	DATE 10-19-2006		
2 PLACES ± 0.13 ± ---		ANGULAR ± 5 °		SEE TABLE		MOLEX INCORPORATED DOCUMENT NO. SD-76066-001		SHEET NO. 3 OF 4	
1 PLACE ± 0.25 ± ---		DRAFT WHERE APPLICABLE MUST REMAIN WITHIN DIMENSIONS		THIS DRAWING CONTAINS INFORMATION THAT IS PROPRIETARY TO MOLEX INCORPORATED AND SHOULD NOT BE USED WITHOUT WRITTEN PERMISSION					

13 12 11 10 9 8 7 6 5 4 3 2 1

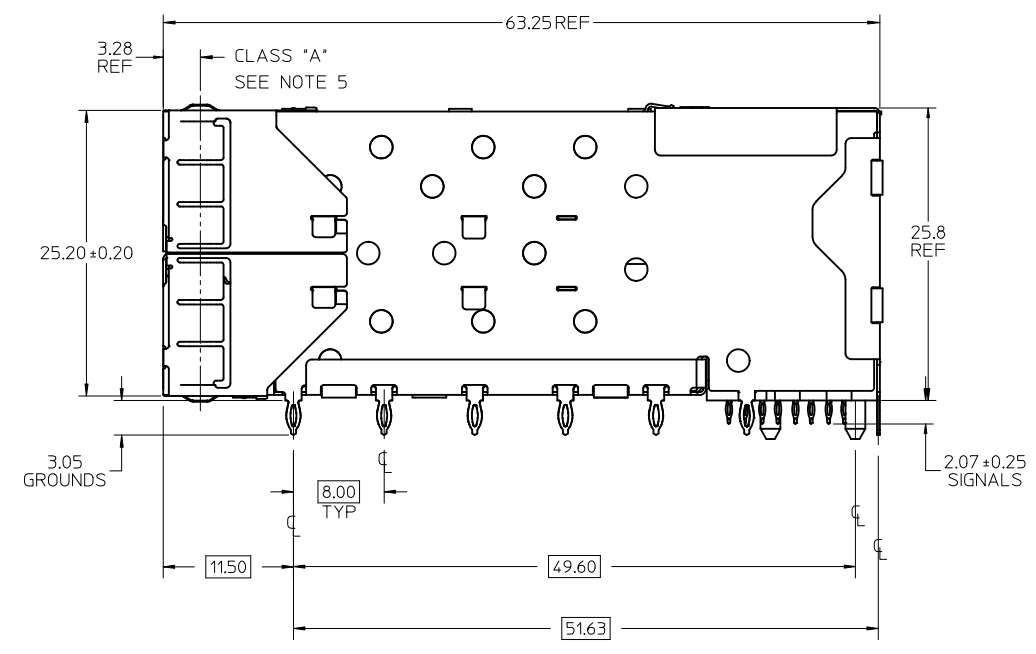
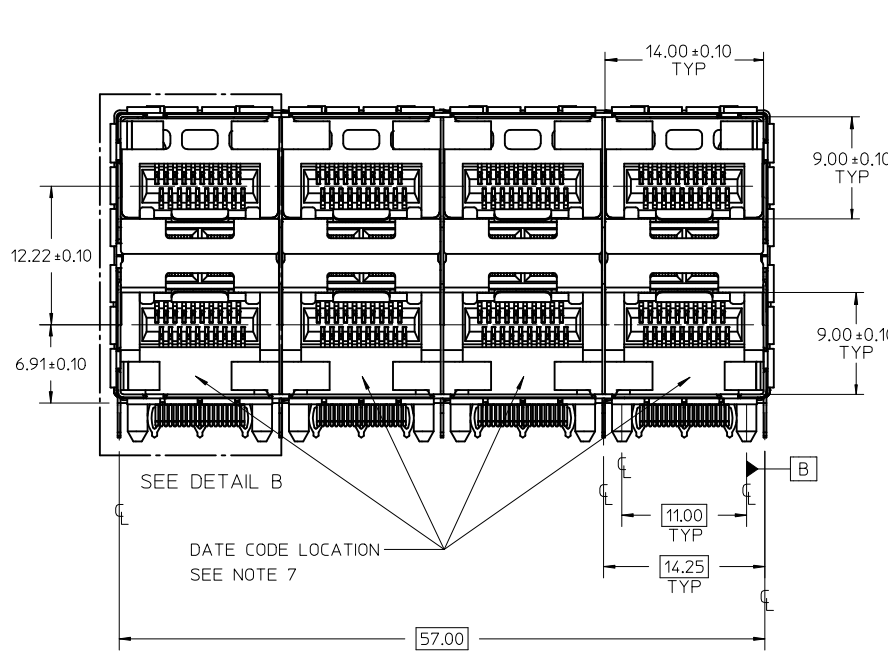


BEZEL CUTOUT CENTER SPACING DETAIL
BEZEL THICKNESS 0.8-2.6



SECTION Z-Z
SCALE 3:1

DELETE MIDDLE BEZEL DIM EC NO: UCP2011-2594 DRWN:WOLFE 2011/02/28 CHKD:BBARKER 2011/02/28 APPR:SMILLER 2011/09/20	QUALITY SYMBOLS ∇=0 ∇=0 ∇=0	GENERAL TOLERANCES (UNLESS SPECIFIED)		DIMENSION STYLE MM ONLY		SCALE 3:1	DESIGN UNITS METRIC	THIRD ANGLE PROJECTION		
		mm	INCH	DRAWN BY MSANDBERG	DATE 10-19-2006	TITLE STACKED SFP+ 2X4 ASS'Y WITH METAL EMI GASKET				
		4 PLACES ± ---	± ---	CHECKED BY JLONG	DATE 10-19-2006					
		3 PLACES ± ---	± ---	APPROVED BY RNELSON	DATE 10-19-2006	MOLEX INCORPORATED DOCUMENT NO. SD-76066-001				
2 PLACES ± 0.13	± ---	MATERIAL NO.		SHEET NO. 4 OF 4						
1 PLACE ± 0.25	± ---	SEE TABLE							THIS DRAWING CONTAINS INFORMATION THAT IS PROPRIETARY TO MOLEX INCORPORATED AND SHOULD NOT BE USED WITHOUT WRITTEN PERMISSION	
ANGULAR ± 5 °		DRAFT WHERE APPLICABLE MUST REMAIN WITHIN DIMENSIONS								

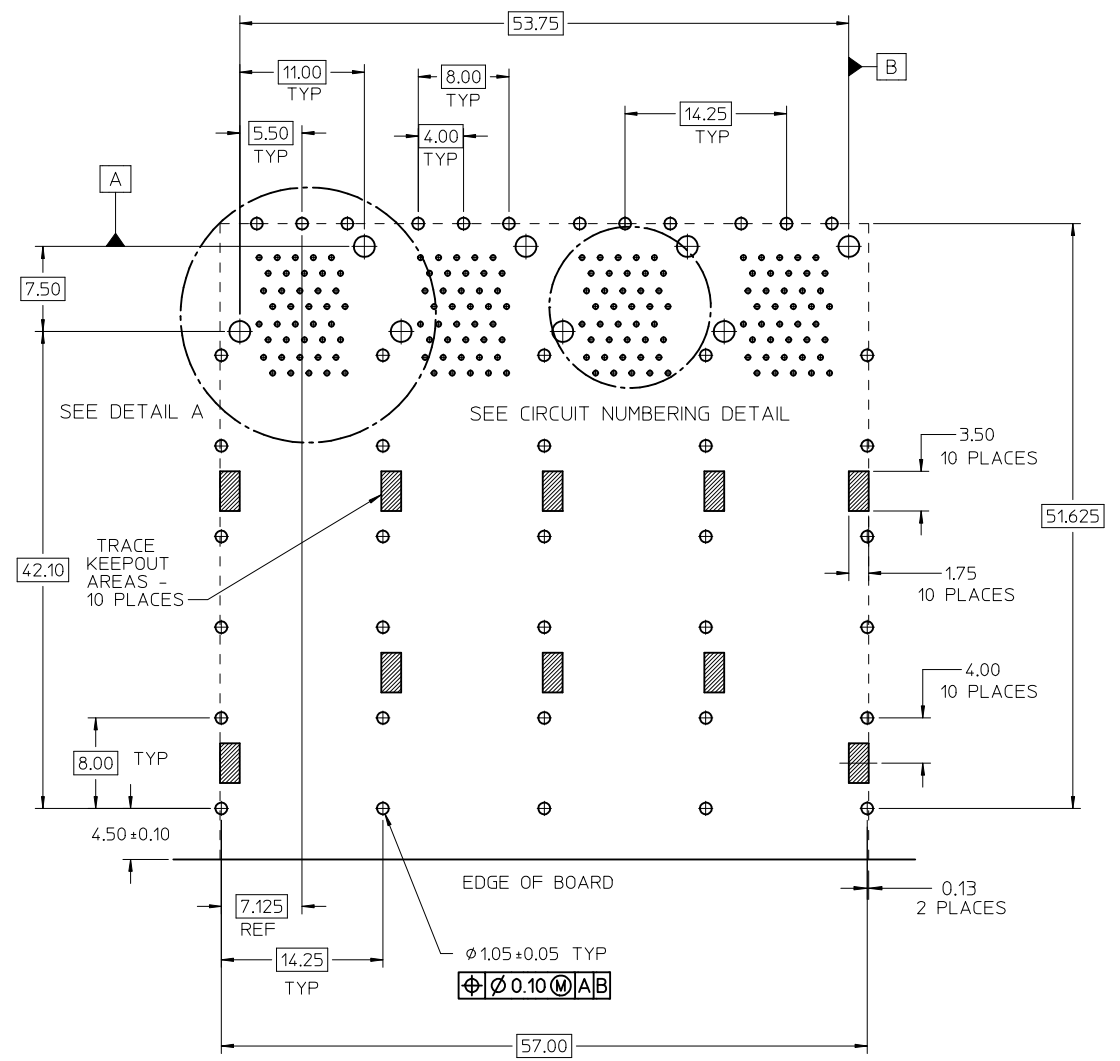
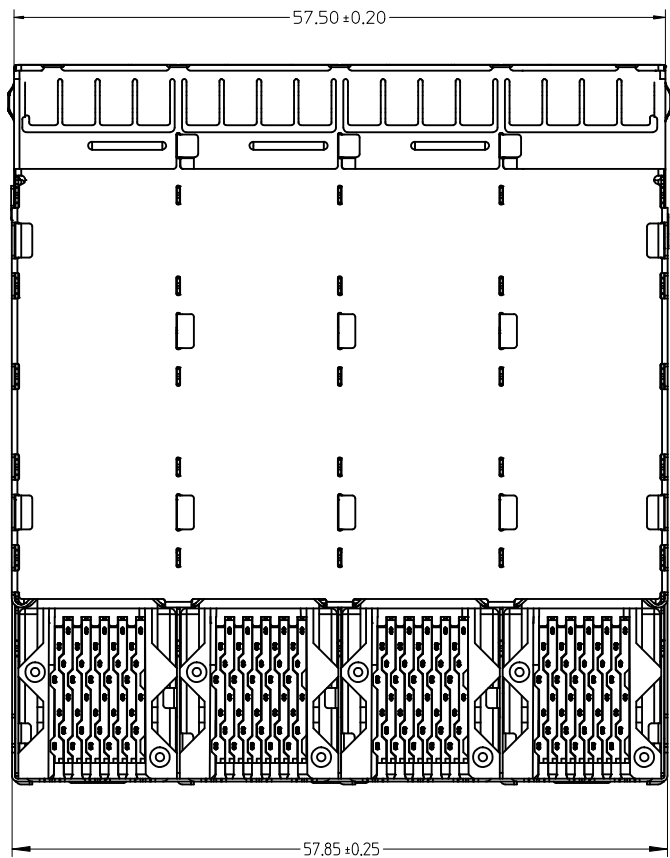


NOTES:

- 1. MATERIAL:**
 CAGE: NICKEL SILVER, THICKNESS: 0.25mm
 CONNECTOR HOUSING: GLASS FILLED LIQUID CRYSTAL POLYMER (LCP), UL 94V-0, COLOR: BLACK
 OVERMOLD TERMINAL HOUSING: GLASS FILLED LIQUID CRYSTAL POLYMER (LCP), UL 94V-0, COLOR: BLACK
 TERMINALS: TIN BRASS
 EMI GASKET: PHOS-BRONZE
- 2. FINISHES:**
 TERMINALS: CONTACT AREA: 0.76 MICROMETERS MINIMUM HARD GOLD OVER 1.27 MICROMETERS MINIMUM NICKEL.
 COMPLIANT TAIL - TIN/LEAD OPTION: 0.76 TO 1.52 MICROMETERS 90/10 TIN-LEAD OVER 0.76 MICROMETERS MINIMUM NICKEL.
 COMPLIANT TAIL - TIN OPTION: 0.76 TO 1.52 MICROMETERS TIN OVER 0.76 MICROMETERS MINIMUM NICKEL.
 EMI METAL GASKET: 2.54 MICROMETERS MINIMUM NICKEL OVERALL
- 3. REFER TO PS-75310-001 PRODUCT SPEC FOR ALL ELECTRICAL, MECHANICAL AND ENVIRONMENTAL SPECIFICATIONS.**
- 4. REFER TO PK-75450-001 FOR ALL PACKAGING SPECIFICATIONS.**
- 5. THE SURFACES CONFORM TO THE MOLEX COSMETIC SPEC PS-45499-002. ALL EXTERIOR SURFACES TO BE CLASS 'B' SURFACE EXCEPT THE UNDERSIDE (CLASS 'C') OF THE CAGE (SIDE TOWARD THE PCB) AND AS OTHERWISE NOTED.**
- 6. REFER TO AS-76090-001 FOR HIGH SPEED ROUTING RECOMMENDATIONS.**
- 7. DATE CODE LOCATION IS SHOWN ABOVE.**
 DATE CODE FORMAT: DDDY MX A1
 DDD = DAY OF THE YEAR
 Y = YEAR
 MX = MOLEX
 A = ALPHA CHARACTER - INDICATES MANUFACTURING LINE
 1 = NUMERIC CHARACTER - INDICATES PRODUCTION SHIFT

PART NUMBER	COMPLIANT TAIL PLATING
760668001	TIN

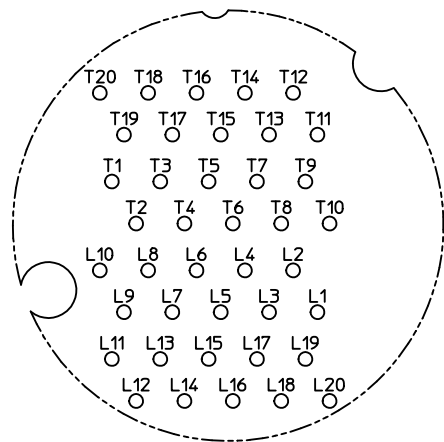
INITIAL RELEASE EC NO: UCP2011-2585 DRWN:BBARKER 2011/02/25 CHKD:MIBARRA 2011/03/22 APPR:SMILLER 2012/04/10	QUALITY SYMBOLS 	GENERAL TOLERANCES (UNLESS SPECIFIED)		DIMENSION STYLE MM ONLY	SCALE 3:1	DESIGN UNITS METRIC	THIRD ANGLE PROJECTION		
		4 PLACES ± --- ± ---	3 PLACES ± --- ± ---	2 PLACES ± 0.13 ± ---	1 PLACE ± 0.25 ± ---	DRAWN BY BBARKER	DATE 2011/02/25	TITLE STACKED SFP+ 2X4 ASS'Y WITH METAL EMI GASKET	
		ANGULAR ± 5 °		DRAFT WHERE APPLICABLE MUST REMAIN WITHIN DIMENSIONS		CHECKED BY MIBARRA	DATE 2011/03/22	APPROVED BY SMILLER	
		MATERIAL NO. SEE TABLE		DOCUMENT NO. SD-76066-8001		MATERIAL NO.		SHEET NO. 1 OF 4	
THIS DRAWING CONTAINS INFORMATION THAT IS PROPRIETARY TO MOLEX INCORPORATED AND SHOULD NOT BE USED WITHOUT WRITTEN PERMISSION									



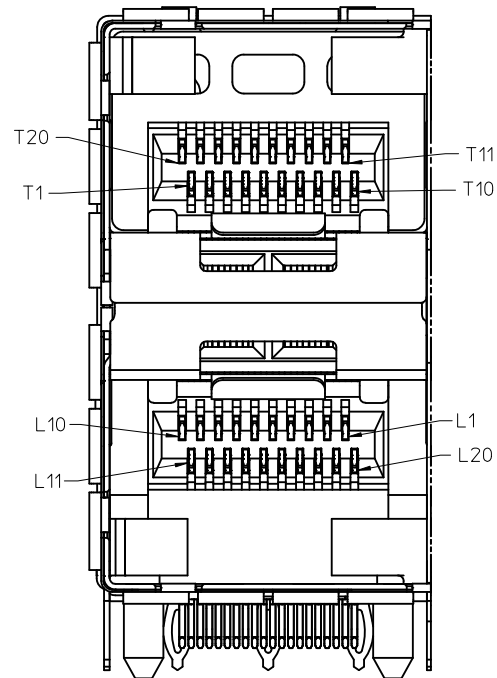
RECOMMENDED PCB LAYOUT - COMPONENT SIDE
 RECOMMENDED PCB THICKNESS - 2.36 MM (.093 INCH)

THE ENTIRE AREA OF THE CONNECTOR FOOTPRINT
 TO BE CONSIDERED THE KEEP OUT AREA FOR COMPONENTS
 THIS AREA IS INDICATED BY THE DASHED AREA

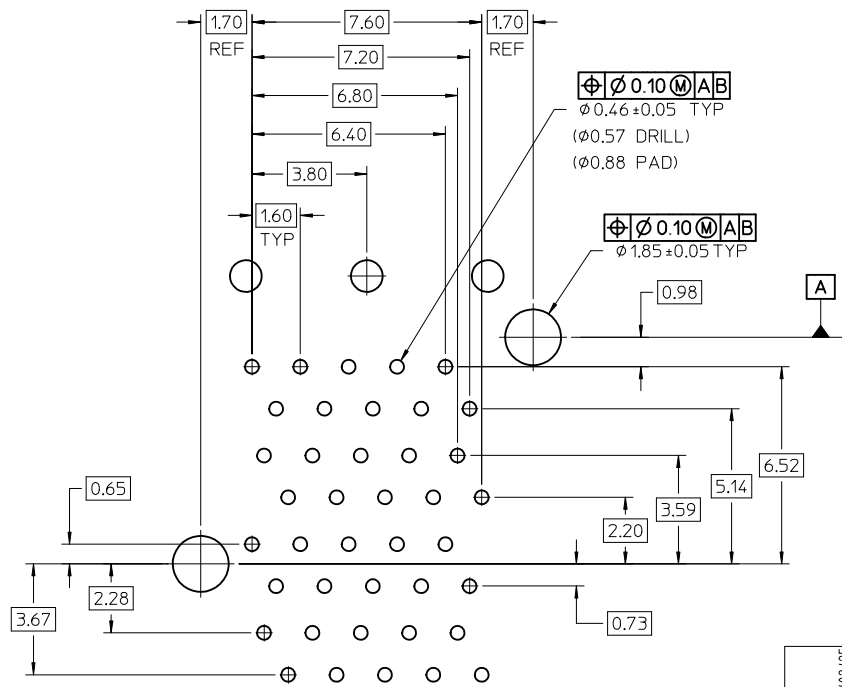
SEE SHEET 1 EC NO: UCP2011-2585 DRWN:BBARKER 2011/02/25 CHKD:MIBARRA 2011/03/22 APPR:SMILLER 2012/04/10	QUALITY SYMBOLS ▽=0 ▽=0 ▽=0	GENERAL TOLERANCES (UNLESS SPECIFIED)		DIMENSION STYLE MM ONLY		SCALE 3:1	DESIGN UNITS METRIC	THIRD ANGLE PROJECTION		
				DRAWN BY BBARKER	DATE 2011/02/25	TITLE STACKED SFP+ 2X4 ASS'Y WITH METAL EMI GASKET				
				CHECKED BY MIBARRA	DATE 2011/03/22					
				APPROVED BY SMILLER	DATE 2012/04/10					
A	REV	ANGULAR ± 5 °		MATERIAL NO. SEE TABLE		DOCUMENT NO. SD-76066-8001		SHEET NO. 2 OF 4		
		DRAFT WHERE APPLICABLE MUST REMAIN WITHIN DIMENSIONS		SIZE C		THIS DRAWING CONTAINS INFORMATION THAT IS PROPRIETARY TO MOLEX INCORPORATED AND SHOULD NOT BE USED WITHOUT WRITTEN PERMISSION				



CIRCUIT NUMBERING
COMPONENT SIDE OF BOARD

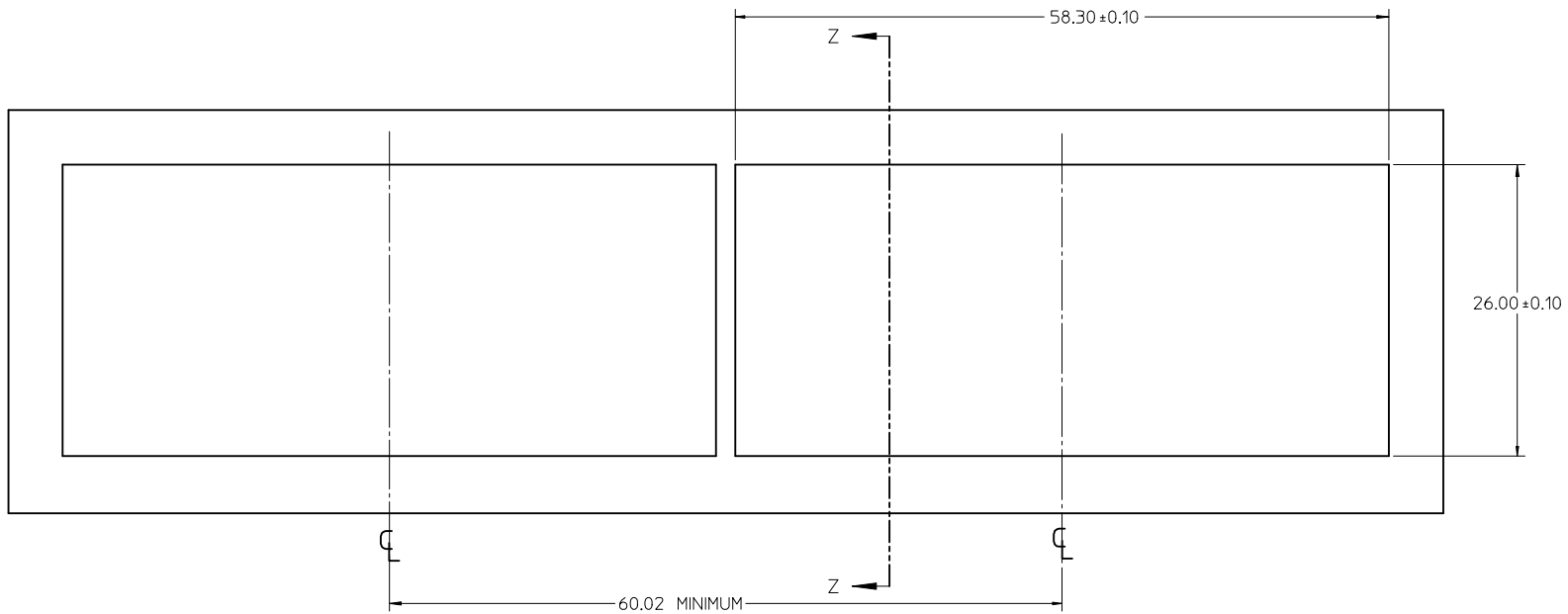


DETAIL B
SCALE 6:1
CIRCUIT NUMBERING

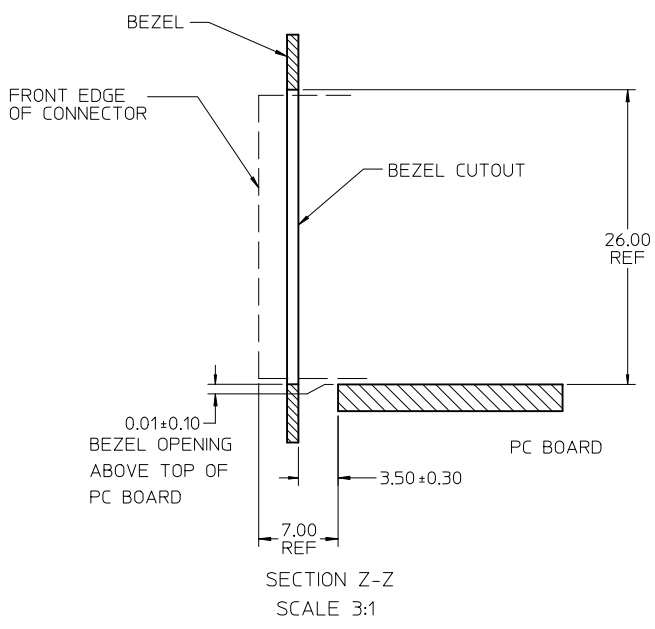


DETAIL A
SCALE 8:1

SEE SHEET 1 EC NO: UCP2011-2585 DRWN:BBARKER 2011/02/25 CHKD:MIBARRA 2011/03/22 APPR:SMILLER 2012/04/10	QUALITY SYMBOLS	GENERAL TOLERANCES (UNLESS SPECIFIED)	DIMENSION STYLE MM ONLY	SCALE 3:1	DESIGN UNITS METRIC	THIRD ANGLE PROJECTION
	▽=0	4 PLACES ± --- ± ---	mm INCH	DRAWN BY BBARKER	DATE 2011/02/25	STACKED SFP+ 2X4 ASS'Y WITH METAL EMI GASKET
	▽=0	3 PLACES ± --- ± ---		CHECKED BY MIBARRA	DATE 2011/03/22	
	▽=0	2 PLACES ± 0.13 ± ---			APPROVED BY SMILLER	DATE 2012/04/10
	1 PLACE ± 0.25 ± ---	ANGULAR ± 5 °		MATERIAL NO. SEE TABLE	DOCUMENT NO. SD-76066-8001	SHEET NO. 3 OF 4
		DRAFT WHERE APPLICABLE MUST REMAIN WITHIN DIMENSIONS	SIZE C	THIS DRAWING CONTAINS INFORMATION THAT IS PROPRIETARY TO MOLEX INCORPORATED AND SHOULD NOT BE USED WITHOUT WRITTEN PERMISSION		



BEZEL CUTOUT CENTER SPACING DETAIL
BEZEL THICKNESS 0.8-2.6



SECTION Z-Z
SCALE 3:1

SEE SHEET 1 EC NO: UCP2011-2585 DRWN:BBARKER 2011/02/25 CHKD:MIBARRA 2011/03/22 APPR:SMILLER 2012/04/10	DESCRIPTION REV A	QUALITY SYMBOLS ∇=0 ∇=0 ∇=0	GENERAL TOLERANCES (UNLESS SPECIFIED)		DIMENSION STYLE MM ONLY		SCALE 3:1	DESIGN UNITS METRIC	THIRD ANGLE PROJECTION			
			mm	INCH	DRAWN BY BBARKER	DATE 2011/02/25	TITLE STACKED SFP+ 2X4 ASS'Y WITH METAL EMI GASKET					
			4 PLACES ± ---	± ---	CHECKED BY MIBARRA	DATE 2011/03/22						
			3 PLACES ± ---	± ---	APPROVED BY SMILLER	DATE 2012/04/10	MATERIAL NO.		DOCUMENT NO.		SHEET NO.	
2 PLACES ± 0.13	± ---	DRAFT WHERE APPLICABLE MUST REMAIN WITHIN DIMENSIONS		SEE TABLE		MOLEX INCORPORATED		SD-76066-8001				
1 PLACE ± 0.25	± ---			SIZE C		THIS DRAWING CONTAINS INFORMATION THAT IS PROPRIETARY TO MOLEX INCORPORATED AND SHOULD NOT BE USED WITHOUT WRITTEN PERMISSION		4 OF 4				
ANGULAR ± 5 °												