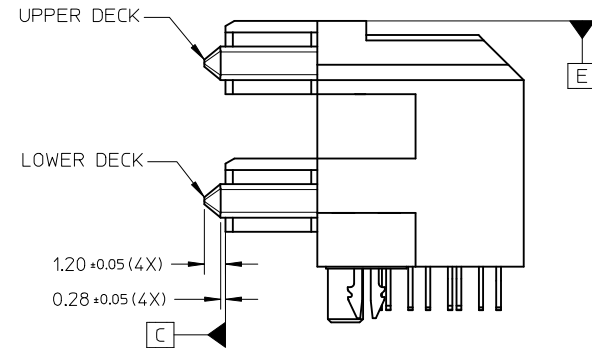


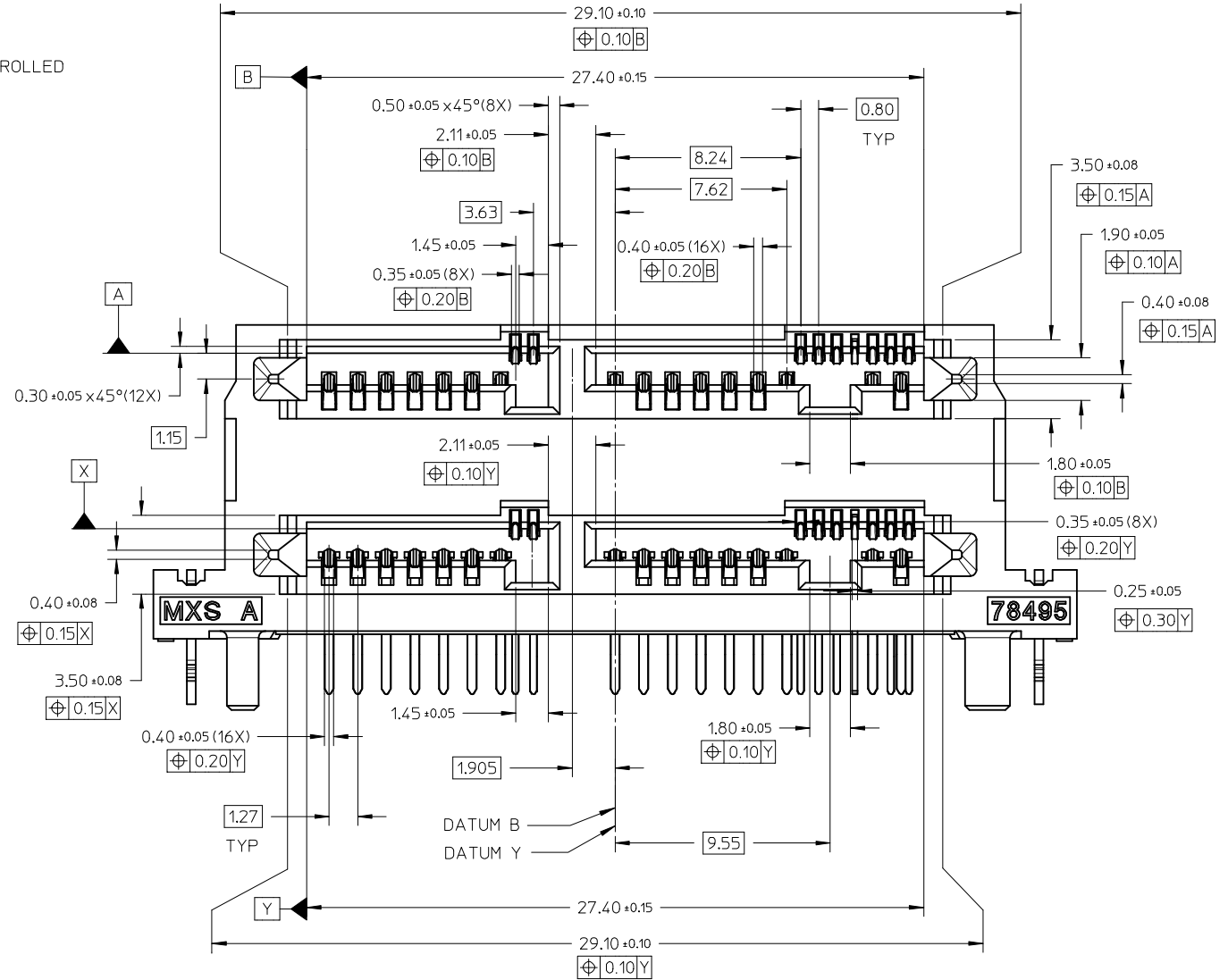
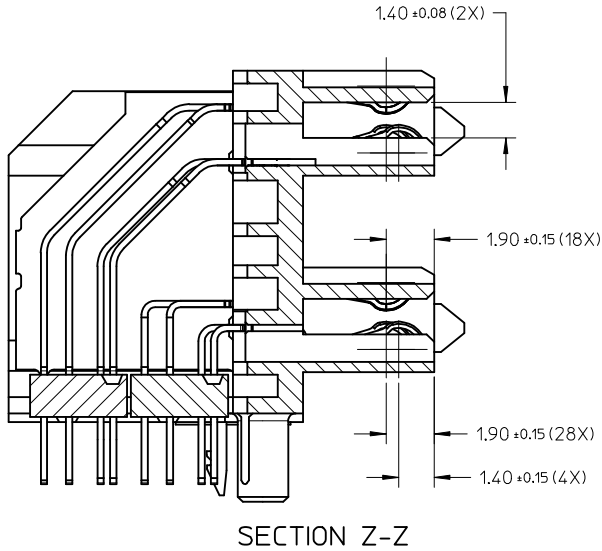
NOTES:

1. MATERIAL : LCP, GLASS FILLED, UL 94V-0, BLACK
TERMINAL/FORKLOCK : COPPER ALLOY
2. FINISHES :
TERMINAL :
CONTACT: 0.76µm MIN. SELECTIVE GOLD OVER
1.27µm MIN. NICKEL UNDERPLATE
SOLDERTAIL: 2.54µm MIN. TIN OVER
1.27µm MIN. NICKEL UNDERPLATE
FORKLOCK:
OVERALL: 2.54µm MIN. TIN OVER
1.27µm MIN. NICKEL UNDERPLATE
3. PRODUCT SPECIFICATION : PS-78495-001
4. PACKAGING SPECIFICATION : PK-78495-001
5. MATES WITH : MOLEX MICRO SAS PLUGS
APPLICABLE TO MOLEX PART NO: 78394 SERIES.
6. MOLEX LOGO AND PART NUMBER LOCATED APPROXIMATELY AS SHOWN
7. THIS PRODUCT IS COMPLIANT TO RoHS DIRECTIVE WITH THE FOLLOWING BANNED SUBSTANCES - LEAD, MERCURY, CADMIUM, HEXAVALENT CHROMIUM, POLYBROMINATED BIPHENYLS AND POLYBROMINATED DIPHENYLS ETHERS.
8. NON FUNCTIONAL CORING MAY VARY.
9. DATE CODE LOCATED APPROXIMATELY AS SHOWN.
10. PINCOVER TO BE PUSHED BACKWARDS TO MAXIMUM WHEN MEASURING.
11. VIEWS ON PAGES 1,2,3 AND 5 ARE WITHOUT PINCOVER.
12. PART TO INCLUDE PINCOVER WHEN SHIPPED.

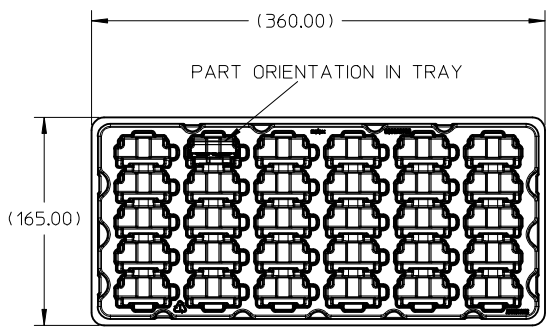
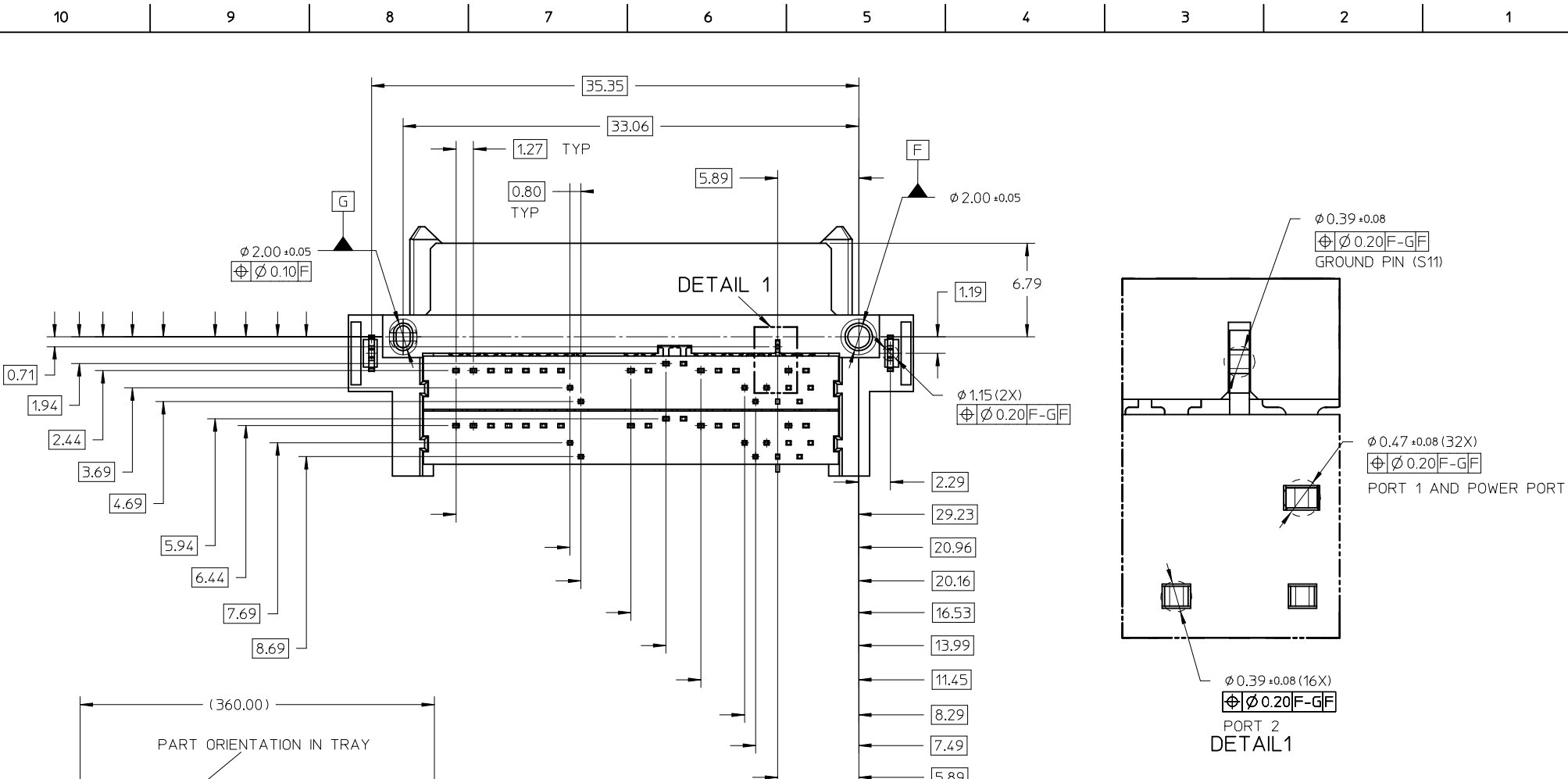


ADD PINCOVER EC NO: S2010-0900 DRWN:WJAP CHKD:CGOH APPR:BOKOK	DESCRIPTION 2010/09/24 2010/10/12 2010/10/13	QUALITY SYMBOLS	GENERAL TOLERANCES (UNLESS SPECIFIED)		DIMENSION STYLE		SCALE	DESIGN UNITS	THIRD ANGLE PROJECTION			
		$F_A=0$ $F_C=0$ $F_P=0$	mm	INCH	MM ONLY		NTS	METRIC				
			4 PLACES	± ---	± ---	DRAWN BY	DATE	TITLE				
			3 PLACES	± ---	± ---	CHECKED BY	DATE	MICRO SAS RECEPTACLE DUAL STACK R/A T/H 7.8MM HEIGHT				
	2 PLACES	± 0.20	± ---	APPROVED BY	DATE	MOLEX INCORPORATED						
	1 PLACE	± ---	± ---	BOKOK	2009/12/03	DOCUMENT NO.						
DRAFT WHERE APPLICABLE MUST REMAIN WITHIN DIMENSIONS			ANGULAR ± 3 °		MATERIAL NO.		SHEET NO.					
					78495-0001		SD-78495-001		1 OF 5			
					SIZE A3		THIS DRAWING CONTAINS INFORMATION THAT IS PROPRIETARY TO MOLEX INCORPORATED AND SHOULD NOT BE USED WITHOUT WRITTEN PERMISSION					

DIMENSIONAL CONTROL SHOWN IN THIS SHEET ARE CONTROLLED TO THE DATUMS OF EACH DECK RESPECTIVELY.

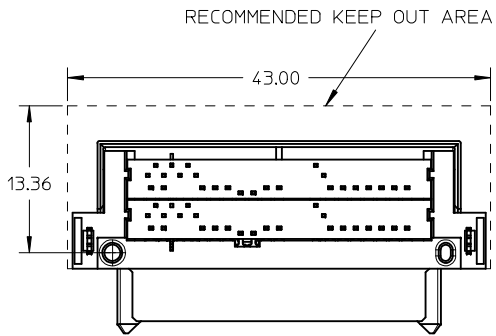
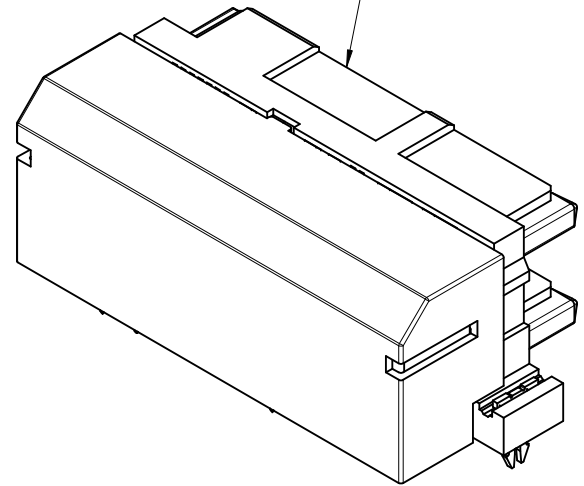
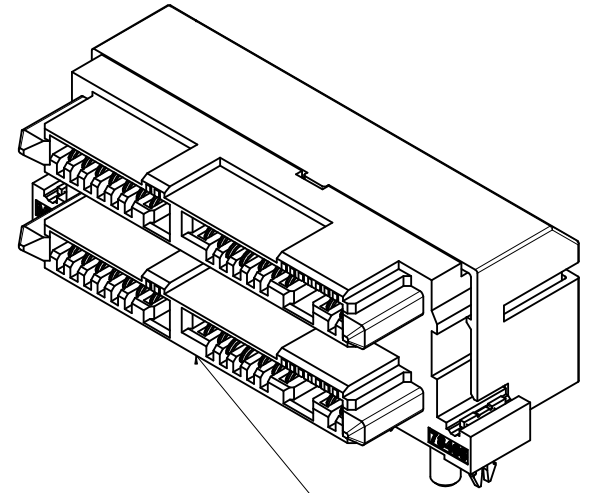
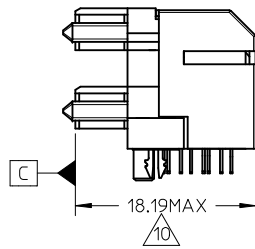
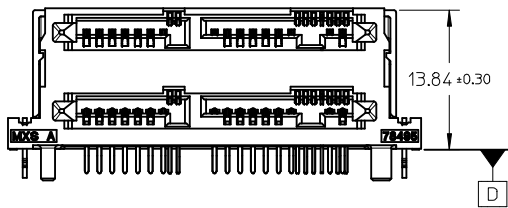
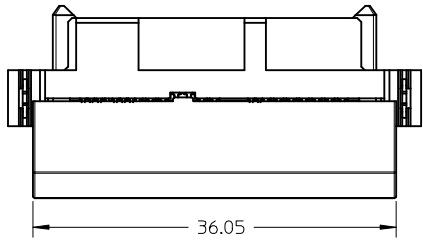


ADD PINCOVER EC NO: S2010-0900 DRWN:WJAP CHKD:CGOH APPR:BOKOK	2010/09/24 2010/10/12 2010/10/13	DESCRIPTION ADD PINCOVER	QUALITY SYMBOLS $F_A=0$ $F_C=0$ $F_P=0$	GENERAL TOLERANCES (UNLESS SPECIFIED)		DIMENSION STYLE MM ONLY		SCALE NTS	DESIGN UNITS METRIC	THIRD ANGLE PROJECTION
				mm	INCH	DRAWN BY	DATE	TITLE	MICRO SAS RECEPTACLE DUAL STACK R/A T/H 7.8MM HEIGHT MOLEX INCORPORATED	
4 PLACES	± ---	± ---	KHL IM	2009/10/12						
3 PLACES	± ---	± ---	CHECKED BY	DATE						
2 PLACES	± 0.20	± ---	CGOH	2009/12/03						
1 PLACE	± ---	± ---	APPROVED BY	DATE						
ANGULAR ± 3 °			BOKOK	2009/12/03						
DRAFT WHERE APPLICABLE MUST REMAIN WITHIN DIMENSIONS		MATERIAL NO.		DOCUMENT NO.		SHEET NO.				
		78495-0001		SD-78495-001		2 OF 5				
		SIZE		THIS DRAWING CONTAINS INFORMATION THAT IS PROPRIETARY TO MOLEX INCORPORATED AND SHOULD NOT BE USED WITHOUT WRITTEN PERMISSION						
		A3								



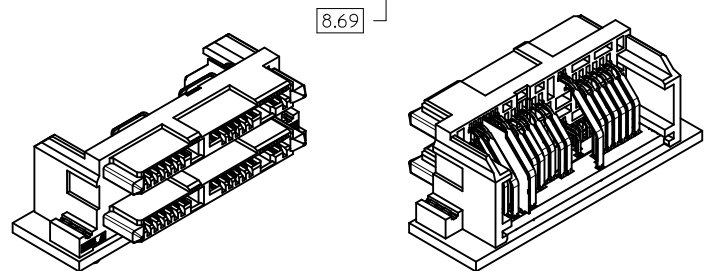
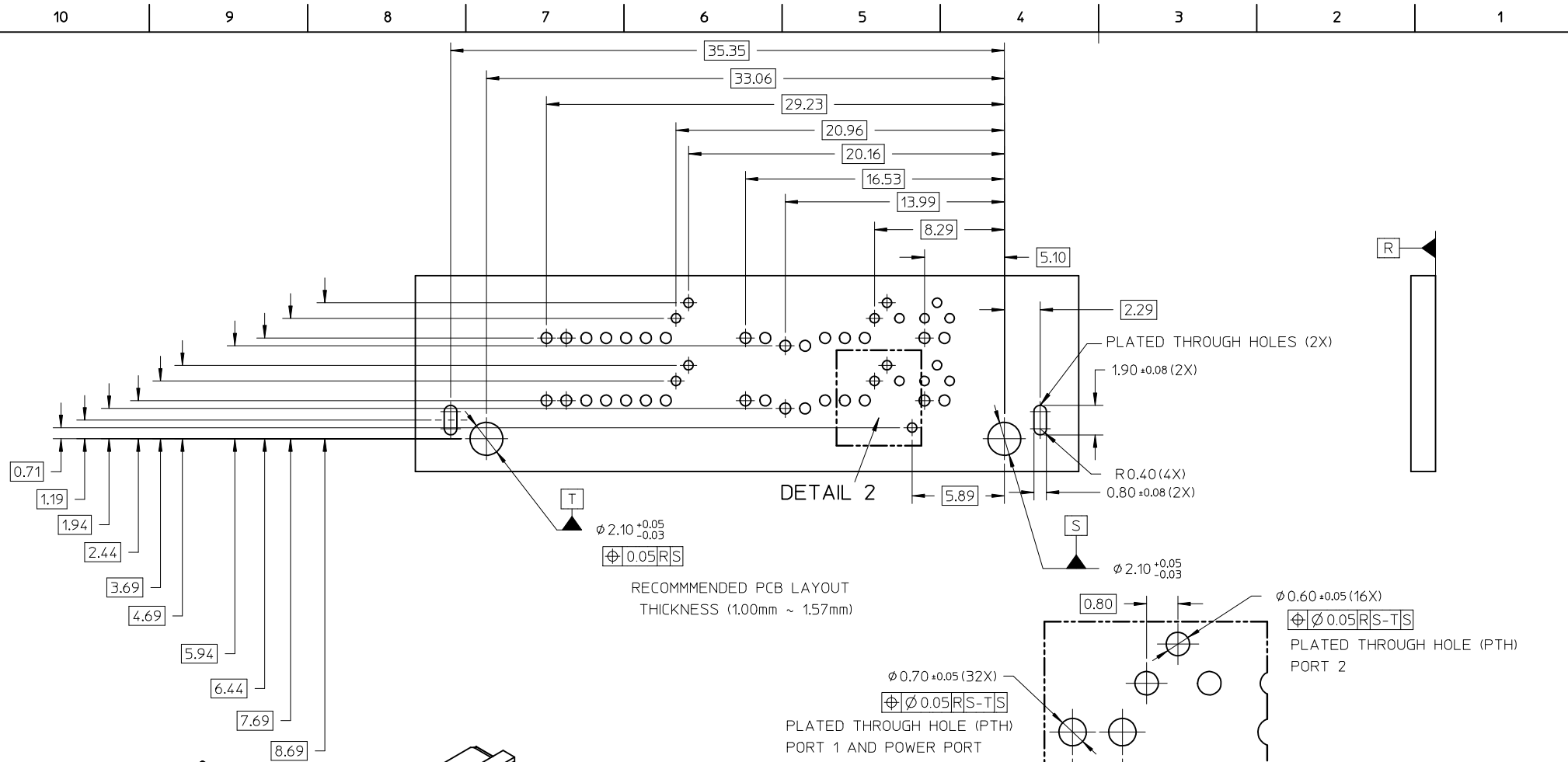
ADD PINCOVER EC NO: S2010-0900 DRWN: JYAP CHKD: CGOH APPR: BOKOK	2010/09/24	QUALITY SYMBOLS $\nabla_A = 0$ $\nabla_C = 0$ $\nabla_P = 0$	GENERAL TOLERANCES (UNLESS SPECIFIED)		DIMENSION STYLE MM ONLY		SCALE NTS	DESIGN UNITS METRIC	THIRD ANGLE PROJECTION
	2010/10/12		mm	INCH	DRAWN BY KHLIM	DATE 2009/10/12	TITLE MICRO SAS RECEPTACLE DUAL STACK R/A T/H 7.8MM HEIGHT		
	2010/10/13		4 PLACES ± --- ± ---	3 PLACES ± --- ± ---	CHECKED BY CGOH	DATE 2009/12/03	MOLEX INCORPORATED DOCUMENT NO. SD-78495-001		
			2 PLACES ± 0.20 ± ---	1 PLACE ± --- ± ---	APPROVED BY BOKOK	DATE 2009/12/03		SHEET NO. 3 OF 5	
A	DESCRIPTION	ANGULAR ± 3 °		MATERIAL NO. 78495-0001		THIS DRAWING CONTAINS INFORMATION THAT IS PROPRIETARY TO MOLEX INCORPORATED AND SHOULD NOT BE USED WITHOUT WRITTEN PERMISSION			
		DRAFT WHERE APPLICABLE MUST REMAIN WITHIN DIMENSIONS							

10 9 8 7 6 5 4 3 2 1



ADD PINCOVER EC NO: S2010-0900 DRWN:WJAP 2010/09/24 CHKD:CGOH 2010/10/12 APPR:BOKOK 2010/10/13	QUALITY SYMBOLS $F_A=0$ $F_G=0$ $F_P=0$	GENERAL TOLERANCES (UNLESS SPECIFIED) mm INCH 4 PLACES ± --- ± --- 3 PLACES ± --- ± --- 2 PLACES ± 0.20 ± --- 1 PLACE ± --- ± --- ANGULAR ± 3 °	DIMENSION STYLE MM ONLY DRAWN BY: KHL IM DATE: 2009/10/12 CHECKED BY: CGOH DATE: 2009/12/03 APPROVED BY: BOKOK DATE: 2009/12/03 MATERIAL NO. 78495-0001	SCALE NTS DESIGN UNITS METRIC THIRD ANGLE PROJECTION	TITLE MICRO SAS RECEPTACLE DUAL STACK R/A T/H 7.8MM HEIGHT MOLEX INCORPORATED DOCUMENT NO. SD-78495-001	SHEET NO. 4 OF 5
	DRAFT WHERE APPLICABLE MUST REMAIN WITHIN DIMENSIONS		SIZE A3	THIS DRAWING CONTAINS INFORMATION THAT IS PROPRIETARY TO MOLEX INCORPORATED AND SHOULD NOT BE USED WITHOUT WRITTEN PERMISSION		
	REV A	DESCRIPTION				

9 8 7 6 5 4 3 2 1



ASSEMBLY WITHOUT PINCOVER

RECOMMENDED PCB LAYOUT
THICKNESS (1.00mm ~ 1.57mm)

ADD PINCOVER EC NO: S2010-0900 DRWN:WJAP CHKD:CGOH APPR:BOKOK	2010/09/24 2010/10/12 2010/10/13	QUALITY SYMBOLS $F_A=0$ $F_G=0$ $F_P=0$	GENERAL TOLERANCES (UNLESS SPECIFIED) mm INCH 4 PLACES ± --- ± --- 3 PLACES ± --- ± --- 2 PLACES ± 0.20 ± --- 1 PLACE ± --- ± --- ANGULAR ± 3 °	DIMENSION STYLE MM ONLY DRAWN BY: KHL IM DATE: 2009/10/12 CHECKED BY: CGOH DATE: 2009/12/03 APPROVED BY: BOKOK DATE: 2009/12/03	SCALE NTS	DESIGN UNITS METRIC	THIRD ANGLE PROJECTION	TITLE MICRO SAS RECEPTACLE DUAL STACK R/A T/H 7.8MM HEIGHT MOLEX INCORPORATED DOCUMENT NO. SD-78495-001 SHEET NO. 5 OF 5	
	A	REV	DRAFT WHERE APPLICABLE MUST REMAIN WITHIN DIMENSIONS	MATERIAL NO. 78495-0001	MOLEX	MOLEX INCORPORATED	MOLEX INCORPORATED AND SHOULD NOT BE USED WITHOUT WRITTEN PERMISSION		
					SIZE A3				