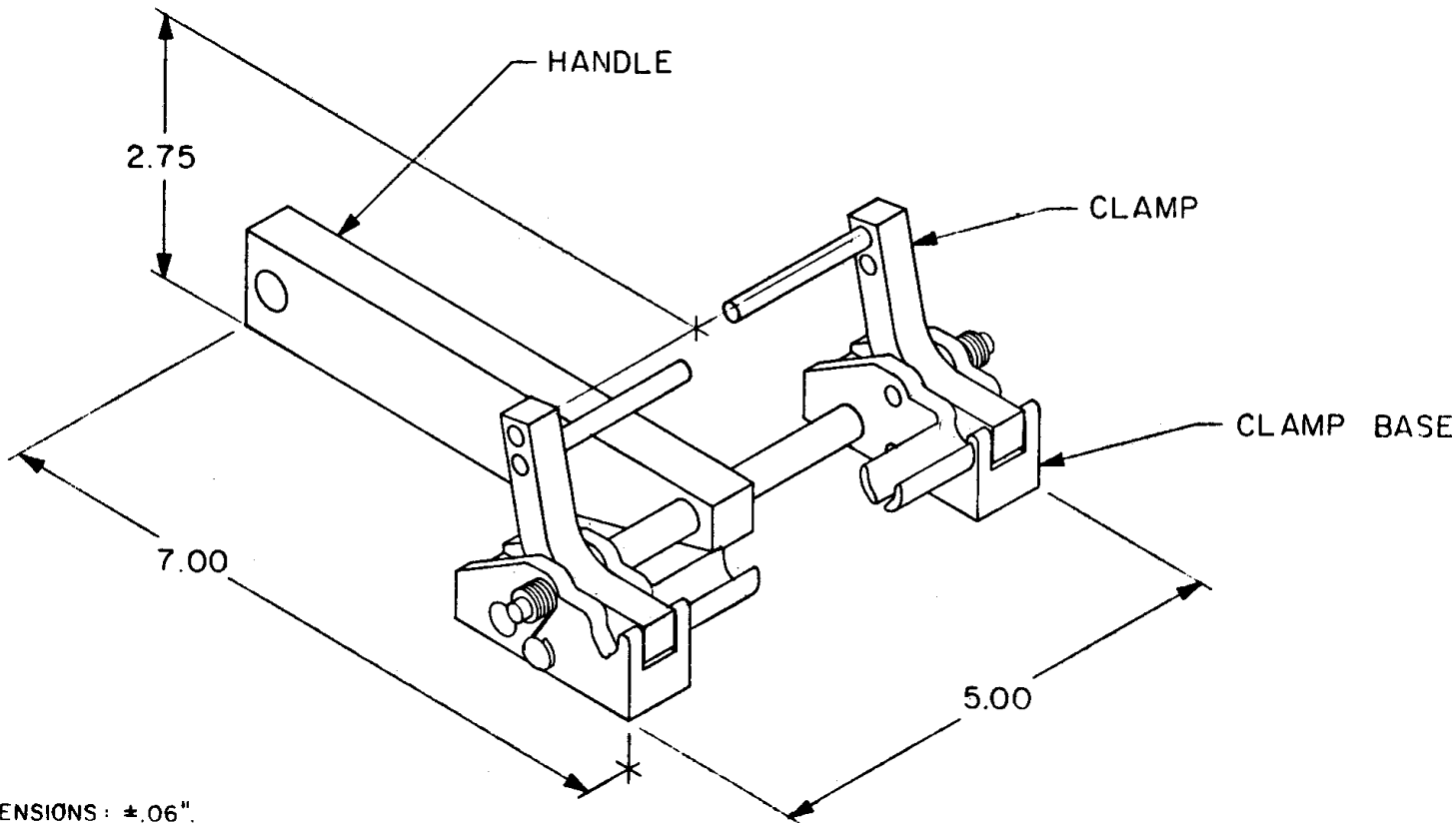


If this document is printed it becomes uncontrolled.  
Check for the latest revision.



NOTES:

1. DIMENSIONS:  $\pm .06"$ .
2. THIS PART CAN BE PURCHASED UNDER PCN: 993850.

SPECIFICATION CONTROL DRAWING

DRAWN		<i>R. Kates</i>	73.16.19	RAYCHEM		<small>RAYCHEM CORPORATION 1000 EAST 17TH AVENUE DENVER, COLORADO 80202</small>		
CHECKED		MAX	6-12-74	TITLE AD-1319 WIRE HOLDING FIXTURE				
APPROVED		<i>R. Kates</i>	6-14-74					
APPROVED								
APPROVED								
A	ADDED NOTE 2	1/5/82		PART NUMBER	—	SIZE	CODE IDENT.	DWG. NO.
LTR	DESCRIPTION	DATE		PROJECT	AD-1319	C	NG. 06090	AD-1319-5
ISSUED 74-6-14				SCALE	FULL	WEIGHT	—	SHEET — OF —